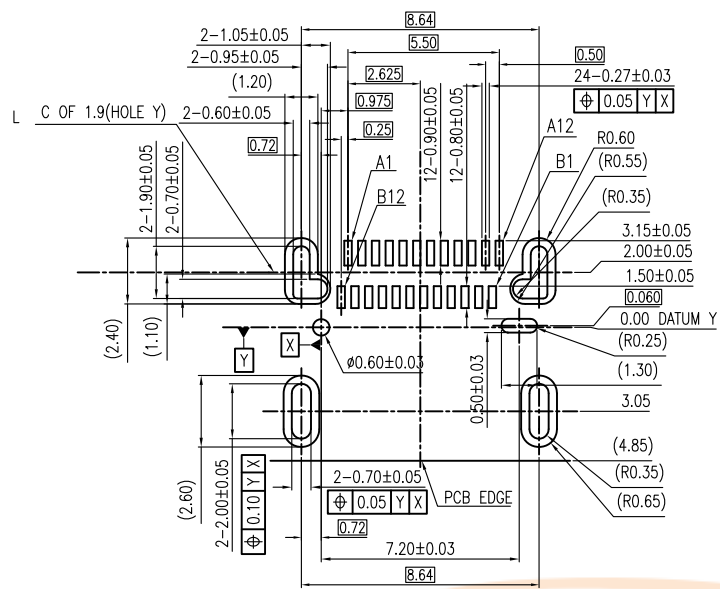




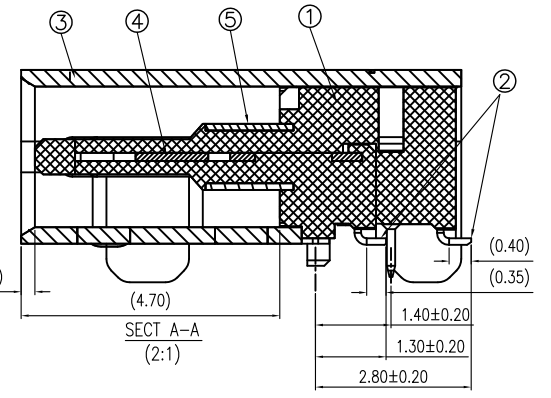
REV.	DESCRIPTION	NAME	DATE
A	NEWS ISSUE		

NOTE:

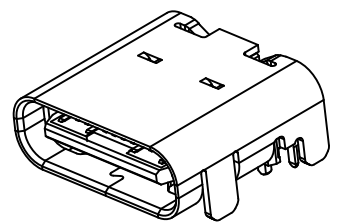
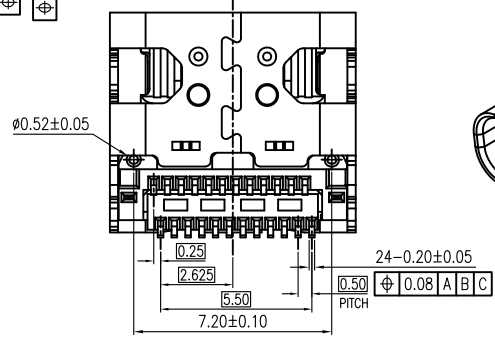
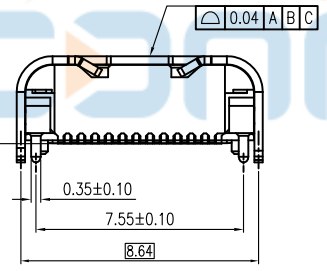
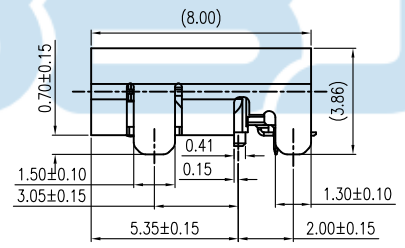
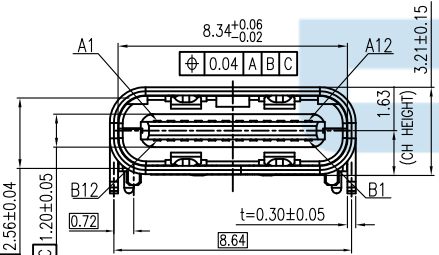
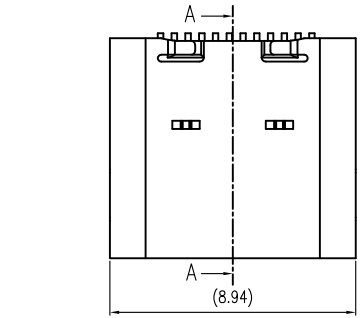
- MECHANICAL:
 - MATING FORCE: 0.5~2.0Kgf
 - UMMATING FORCE: Initial: 0.8~2.0Kgf
After 500 to 10,000cycles: 0.6~2.0Kgf
 - FREQUENCY: 200±50 CYCLES/HOUR, 10000 CYCLES;
- ELECTRICAL CHARACTERISTICS:
 - CURRENT RATING: 1.25A/PIN FOR FOR VBUS AND GND
0.25 A FOR OTHER PINS
 - INITIAL CONTACT RESISTANCE: 40mΩ Max.
 - INSULATION RESISTANCE: 100MΩ MIN
 - WITHSTANDING VOLTAGE: 100V AC, 1 MINUTE;
- ENVIRONMENTAL
TEMPERATURE RANGE: -25° C TO +85° C.



RECOMMENDED P.C.B. LAYOUT
TOLERANCE UNSPECIFIED ±0.05mm



ITEM	PART NAME	Q'TY	MATERIAL	FINISH
1	Insulator	1	THERMOPLASTIC	Black, UL94V-0
2	CONTACT	1	HIGH CONDUCTIVITY COPPER	Contact area: Gold plated over Ni.
3	SHELL	1	STAINLESS STEEL	Ni plated over all
4	MID-PLATE	1	STAINLESS STEEL	Ni plated over all
5	GND-PLATE	1	STAINLESS STEEL	Cleaning



TOLERANCE UNSPECIFIED

.0	±0.35
.00	±0.25
.000	±0.15
X. °	±2.00°

CUSTOMER DRAWING

深圳市步步精科技有限公司

TITLE: Type-c 24p板上型四脚插L=8.0 CH=1.63(JAE款)

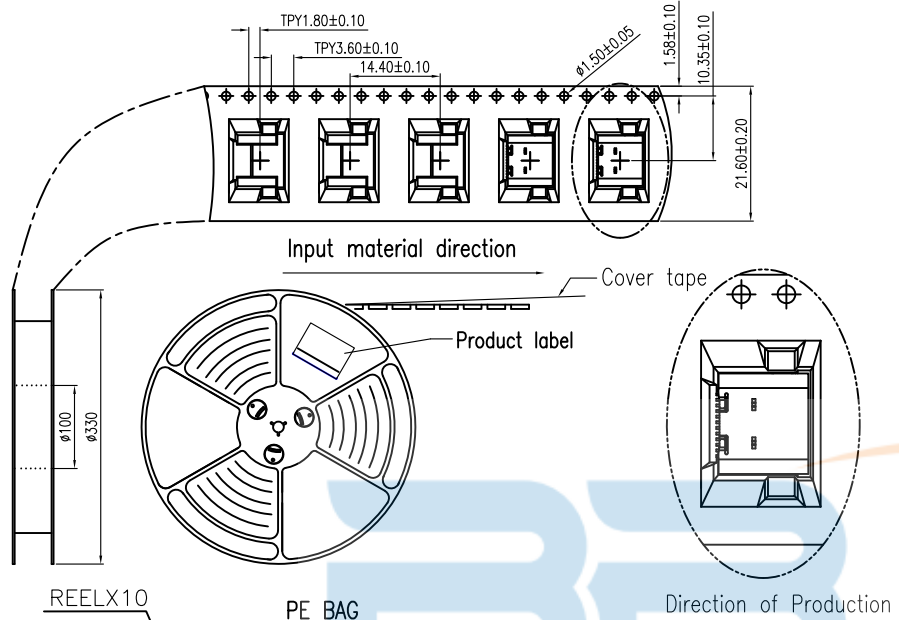
PN	SIGNAL NAME	PN	SIGNAL NAME
A1	GND	B12	GND
A2	SSTRP1	B11	SSSRP1
A3	SSTRM1	B10	SSSRM1
A4	VBUS	B9	VBUS
A5	CC1	B8	SBU2
A6	DP1	B7	DN2
A7	DN1	B6	DP2
A8	SBU1	B5	CC2
A9	VBUS	B4	VBUS
A10	SSSRN2	B3	SSSTRN2
A11	SSSRP2	B2	SSSRP2
A12	GND	B1	GND

DRAWN/ DATE	设计	TSP
CHECKED/ DATE	审核	LYX
APPROVED/ DATE	核准	LJP

SIZE: A4	UNIT: MM.	PART. NO: UC.01.52-1G-0003
SCALE: 1:1	PROJECTION	REV.: 版本
DWG. PATH	0382-1	SHEET: 页码

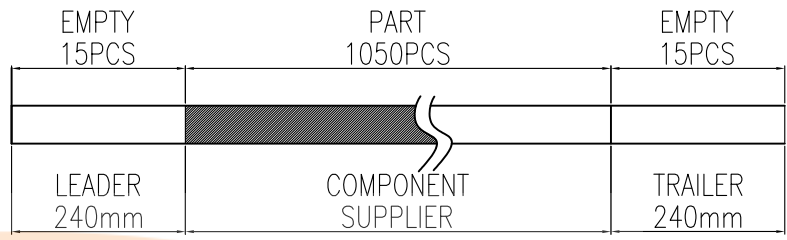


REV.	DESCRIPTION	NAME	DATE
A	NEWS ISSUE		

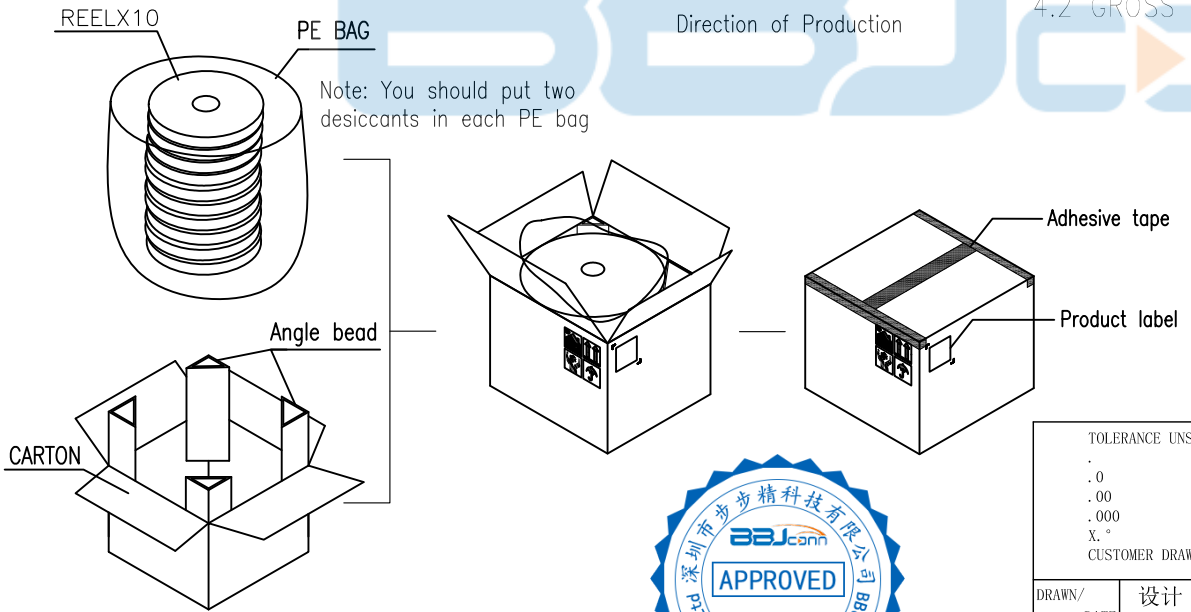


NOTES

1. NUMBER OF CONNECTORS: 1050PCS/REEL
2. LEAD TAPE LENGTH



3. QUANTITY: 10500/CARTON
4. WEIGHT :
 - 4.1 NET WEIGHT : 5.43 Kg
 - 4.2 GROSS WEIGHT : 9.6 Kg



TOLERANCE UNSPECIFIED		深圳市步步精科技有限公司			
.0	±0.35	TITLE: Type-c 24p板上型四脚插L=8.0 CH=1.63(JAE款)			
.00	±0.25	DRAWN/ DATE	设计 TSP	SIZE: A4	UNIT: MM.
.000	±0.15	CHECKED/ DATE	审核 LYX	PART. NO: UC.01.52-1G-0003	PROJECTION
X. °	±2.00°	APPROVED/ DATE	核准 LJP	DWG. PATH	REV.: 版本
CUSTOMER DRAWING		0382-1			SHEET: 页码