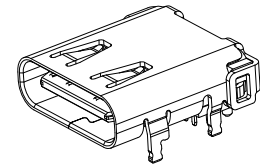
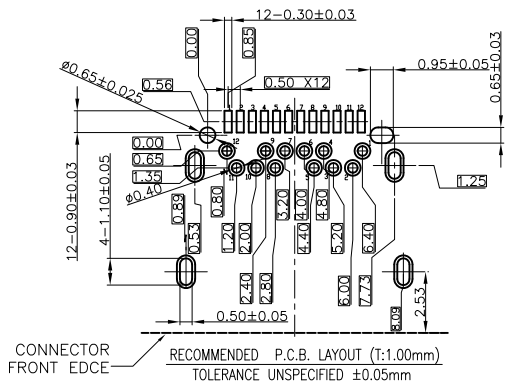
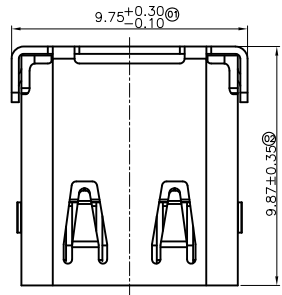
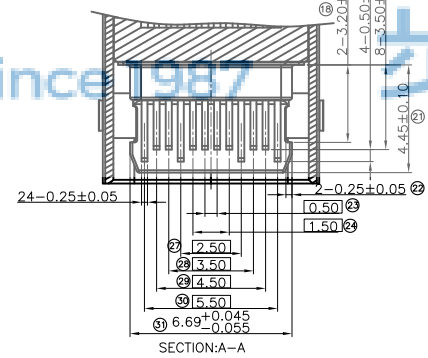
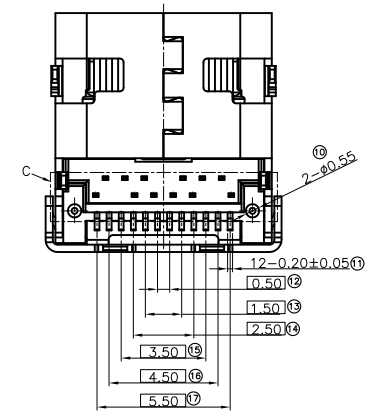
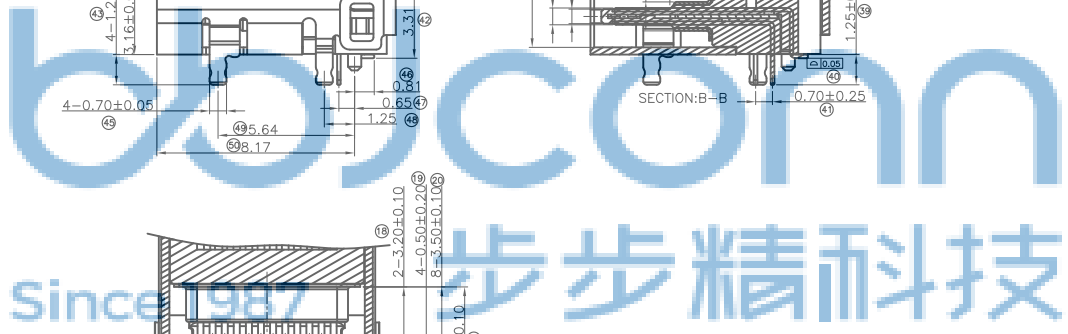
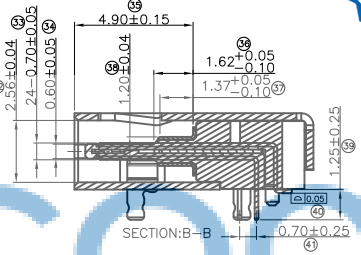
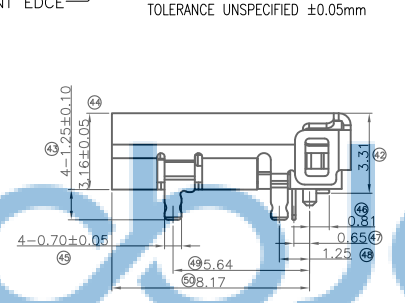
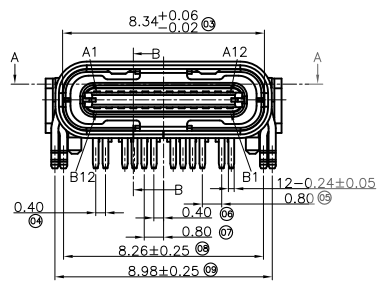


REV.	DESCRIPTION	NAME	DATE
A	NEWS ISSUE		



- NOTES:  
SPECIFICATION:
- CURRENT RATING: 5A MAX
  - VOLTAGE: 100 VAC
  - TEMPERATURE RANGE: -30 °C ~ 85 °C
  - CONTACT RESISTANCE: 40 MILLIONHM MAX
  - INSULATION RESISTANCE: 100 MEGOHMS MIN.
  - INSERTION FORCE : 5N~20N
  - UNMATING FORCE: 8N~20N
  - DURABILITY: 10,000 CYCLES
  - DRAWINGS MARKED "FOR(XX) FAI DIMENSION.
  - DRAWINGS MARKED "\*"FOR QIP DIMENSION.



NO.	DESCRIPTION	MATERIAL	REMARKS	QTY
6	接地片	STAINLESS STEEL SUS316L-1/2H	No Plated	1PCS
5	中夹片	STAINLESS STEEL SUS301R-H	No Plated	1PCS
4	SHELL	STAINLESS STEEL SUS304 1/2H	Ni 50u" Plated	1PCS
3	CONTACT	COPPER ALLOY C18400	Au, Sn SEE TABLE N150u" Plated	1SET
2	CONTACT	COPPER ALLOY C18400	Au, Sn SEE TABLE N150u" Plated	1SET
1	HOUSING	HIGH TEMPERATURE PLASTIC LCP E130I	BLACK	1PCS

USB TYPE-C FULL-SPEED RECEPTACLE INTERFACE PIN ASSIGNMENTS

Pin	Signal Name	Description	Pin	Signal Name	Description
A1	GND	Ground return	B12	GND	Ground return
A2	SS1Tx	Positive half of first SuperSpeed TX differential pair	B11	SS0Rx	Positive half of first SuperSpeed RX differential pair
A3	SS1Tx	Negative half of first SuperSpeed TX differential pair	B10	SS0Rx	Negative half of first SuperSpeed RX differential pair
A4	Vref	Bus Power	B9	Vref	Bus Power
A5	CC1	Configuration Channel	B8	SR2	Stidband Use (SR)
A6	SR0	Stidband Use (SR)	B7	CC2	Configuration Channel
A7	Bid1	Positive half of the USB 2.0 differential pair-Position 1	B6	Bid2	Negative half of the USB 2.0 differential pair-Position 2
A8	Bid1	Negative half of the USB 2.0 differential pair-Position 1	B5	Bid2	Positive half of the USB 2.0 differential pair-Position 2
A9	SR0	Stidband Use (SR)	B4	Vref	Bus Power
A10	SS0Tx	Negative half of second SuperSpeed TX differential pair	B3	SS1Tx	Negative half of second SuperSpeed TX differential pair
A11	SS0Tx	Positive half of second SuperSpeed TX differential pair	B2	SS1Tx	Positive half of second SuperSpeed TX differential pair
A12	GND	Ground return	B1	GND	Ground return

TOLERANCE UNSPECIFIED

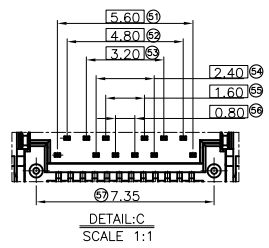
0.	±0.30
0.0	±0.25
0.00	±0.20
0.	±2°
0.0°	±1°

DRAWN/ DATE: 设计 HMY  
CHECKED/ DATE: 审核 LYX  
APPROVED/ DATE: 核准 LJP

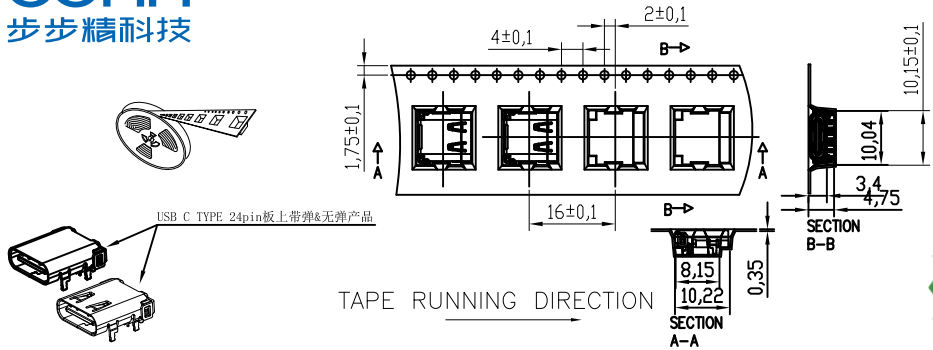
**深圳市步步精科技有限公司**

TITLE: TYPE-C 24P 母座 前插后贴 L=9.87 CH=1.76 板上有弹 外露1.25

SIZE:A4	UNIT:MM.	PART. NO:UC.01.52-1L-0001
SCALE: 1:1	PROJECTION	REV.: 版本
DWG. PATH	0392-1	SHEET: 页码

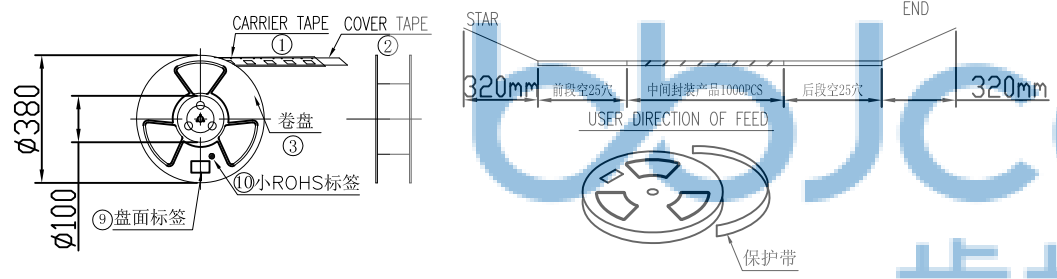


REV.	DESCRIPTION	NAME	DATE
A	NEWS ISSUE		

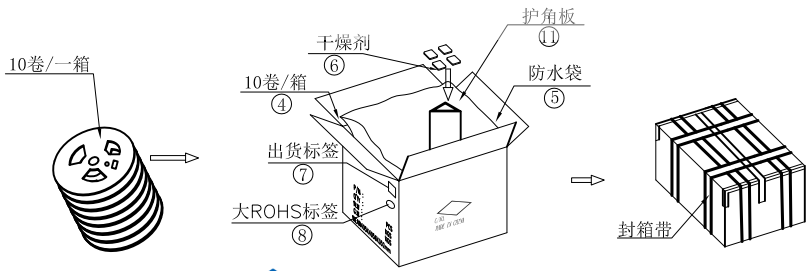


NOTE: 1. 如图所示, 将1000pcs成品按规定方向置入载带中, 前后各空25PCS, 再将自沾带贴合, 并于卷盘上贴上盘面标签和ROHS标签各一张.  
2. 纸箱封盖后以封箱胶封箱, 并于侧面贴上出货标签和ROHS标签;  
3. 标签;若客户另有贴标签要求, 则按其订单注明之要求贴;  
4. 外箱以封箱带绑固;若为出口包装, 请在每箱内套一防水袋.  
5. 纸箱尺寸及印刷见包材图面.  
未满足之零数箱, 需以缓冲材料填满.  
6. 本包装方式适用产品: USB C TYPE 24Pin板上, 前插后贴 母座 一箱装10卷/10000pcs产品 (总毛重仅作参考, 出货以实称为准)

第一步: 产品摆入载带中(应注意产品摆放方向和载带拉出方向要正确)



第三步: 装外箱贴标签(应注意封口整齐, 标签位置正确)



⑪	护角板	4	PCS	L330*H270mm T=5mm
⑩	小ROHS标签	10	PCS	∅15.7
⑨	盘面标签	10	PCS	
⑧	大ROHS标签	1	PCS	∅40.0
⑦	出货标签	1	PCS	
⑥	干燥剂	5	BAG	
⑤	防水袋	1	PCS	
④	外纸箱	1	PCS	L405*405*352 K=K 内径
③	卷盘	10	SET	∅380*100mm, W=24mm
②	COVER TAPE	1000	10	PCS W=21.3mm, 13.2m/REEL
①	CARRIER TAPE			W=24mm, T=0.35mm, L=16.8m/REEL
序号	包材名称	PCS/盘	盘/箱	单位 备注
		包装总数量		



TOLERANCE UNSPECIFIED		深圳市步步精科技有限公司 TITLE: TYPE-C 24P 母座 前插后贴 L=9.87 CH=1.76 板上有弹 外露1.25			
DRAWN/ DATE	设计 HMY	SIZE: A4	UNIT: MM.	PART. NO: UC.01.52-1L-0001	
CHECKED/ DATE	审核 LYX	SCALE: 1:1		PROJECTION	REV.: 版本
APPROVED/ DATE	核准 LJP	DWG. PATH	0392-1		SHEET: 页码