

PIN NO./BER	SIGNAL NAME
1	(SBR)F
2	(S)M(B)
3	D-(D)B
4	SH
5	SSRX-
6	SSRX+
7	(DND)H(S)
8	SSRX-
9	SSRX+
shell	SHIELD

公差一览表

TOLERANCE UNLESS OTHERWISE

. X ± 0.15    X. ± 5°  
 . XX ± 0.05    . X ± 2°  
 . XXX ± 0.02    . XX ± 1°



深圳市步步精科技有限公司

TITLE:

USB 3.0 AF 180度 短体 H=11.5 DIP 直脚 两脚插 卷边 蓝胶 铁壳

DRAWN/ DATE

设计 GY

SIZE: A4

UNIT: MM.

PART. NO: UB.03.11-31-3004

CHECKED/ DATE

审核 LYX

SCALE: 1:1

PROJECTION

REV.: 版本

APPROVED/ DATE

核准 LJP

DWG. PATH

0020-1

SHEET: 页码

规格说明 Specifications:

电气特性 Electrical:

- 额定电流 Current Rating: 1.5A/contact terminal 接触端子
- 额定电压 Voltage Rating: 30V DC
- 接触阻抗 Contact Resistance: 30 milliohms MAX
- 耐电压 Dielectric Withstanding Voltage: 500 V AC AT Sea Level
- 绝缘阻抗 Insulation Resistance: 1000MEGA ohms MIN

物理性能 Mechanical:

- 插拔力 Connector Mate and Unmate Force: Mate force: 3.57kgf (MAX) Unmate force: 1.02kgf (MIN)
- 端子保持力 Terminal Retention: 1.0kgf (MIN)

原材料 Material:

- 塑胶 Housing: High Temperature Thermoplastics,
- 端子 Contact: H65 黄铜 Copper Alloy C2680
- 外壳 Shell: H65 黄铜 Copper Alloy C2680/SPCC

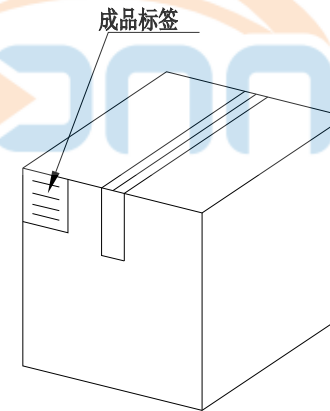
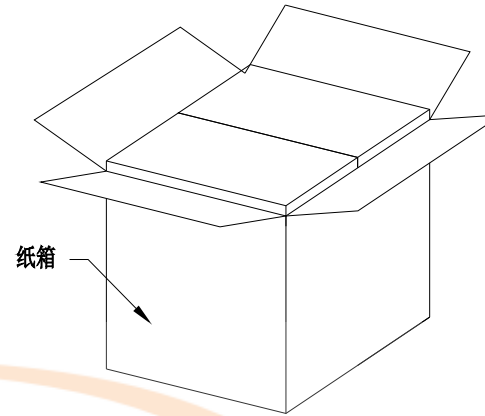
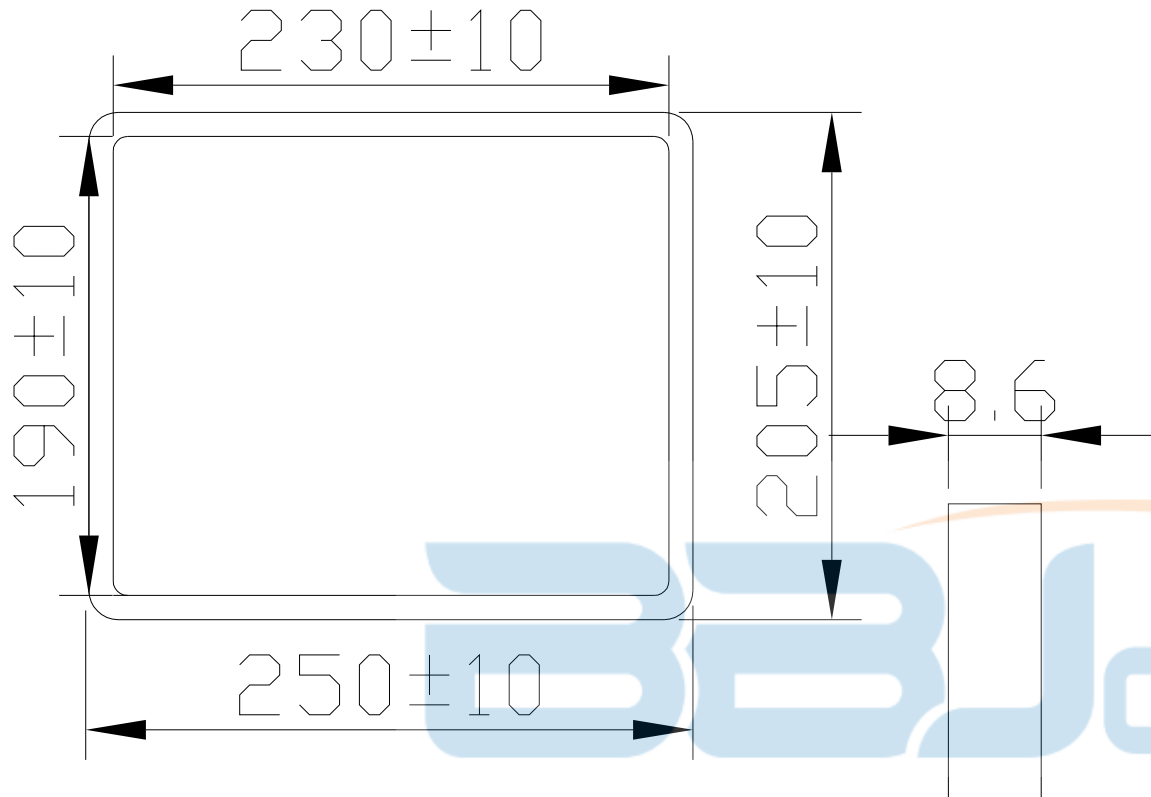
电镀 Finish:

- 端子 Contact: Plated Gold in Mating Area; Tin On Solder Tails

端子四周镀锡 30-50μ (MIN), 镀金区域镀金 1μ

- 外壳 Shell: 铁壳四周镀 80μ (MIN) 镍

Nickel Plating



纸箱规格: 350\*210\*290

1. 包装要求:

- 1.1 每盒吸塑盒包装100 pcs;
- 1.2 每20盘放一箱, 共计2000PCS;
- 1.3 纸箱外贴上标签



TOLERANCE UNSPECIFIED		深圳市步步精科技有限公司 TITLE: USB3.0 AF 180度 短体 H=11.5 DIP 直脚 两脚插 卷边 蓝胶 铁壳			
.0	±0.35	SIZE: A4	UNIT: MM.	PART. NO: UB.03.11-31-3004	
.00	±0.25	SCALE: 1:1		PROJECTION	REV.: 版本
.000	±0.15	APPROVED/ DATE	DWG. PATH	0020-1	
X. °	±2.00°	CHECKED/ DATE	APPROVED/ DATE		SHEET: 页码
CUSTOMER DRAWING		DESIGN	TSP		
		CHECKED	LYX		
		APPROVED	LJP		