



REV.	DESCRIPTION	NAME	DATE
A	NEWS ISSUE		

NOTE:

1. MATERIAL:

- 1.1 INSULATOR:LCP UL 94V-0
- 1.2 CONTACT:BRONZE (T=0.20mm)
- 1.3 SHELL:SPCC/BRASS (T=0.30mm)

2. ELECTRICAL CHARACTERISTICS:

- 2.1 CONTACT RESISTANCE:30mΩ MAXIMUM
- 2.2 CONTACT CURRENT RATING:1.5A
- 2.3 DIELECTRIC WITHSTANDING VOLTAGE:500 V R. M. S.
- 2.4 INSULATION RESISTANCE 1000 MEGOHMS MIN
- 2.5 OPERATING TEMPERATURE:-40° C ~ 85° C

3. MECHANICAL CHARACTERISTICS:

- 3.1 MATING FORCE:3.57kg MAX
- 3.2 UNMATED FORCE:1.02kg MIN
- 3.3 DURABILITY:MANDATORY: 1000 CYCLES

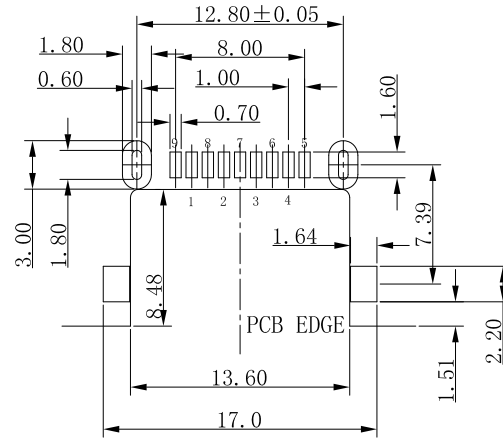
4. PLATING

4.1 TERMINAL:

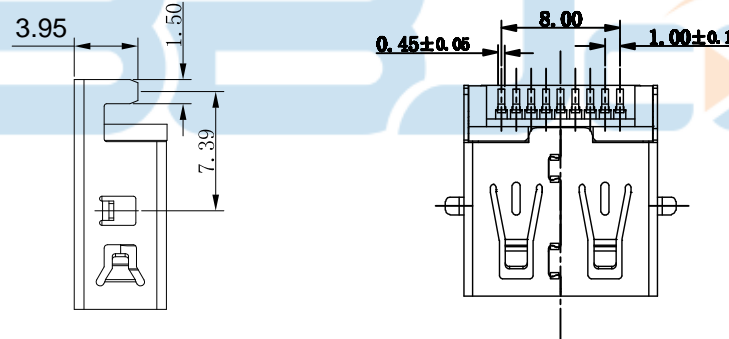
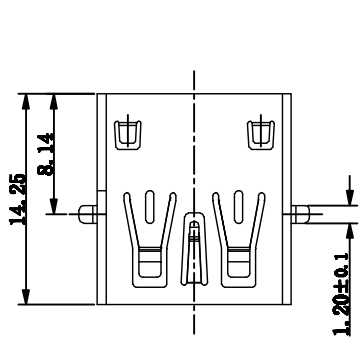
- 50u" MIN NICKEL ALL OVER
- 100u"MIN Tin ON SOLDER AREA
- (1~30)u"Au ON CONTACT AREA

4.2 SHELL:100u"MIN. NICEL ALL OVER

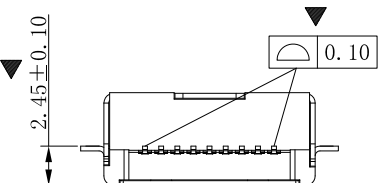
5. "▼" FOR MAJOR DIM



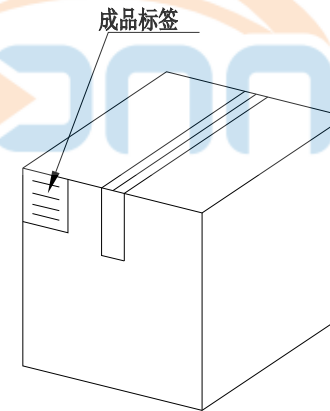
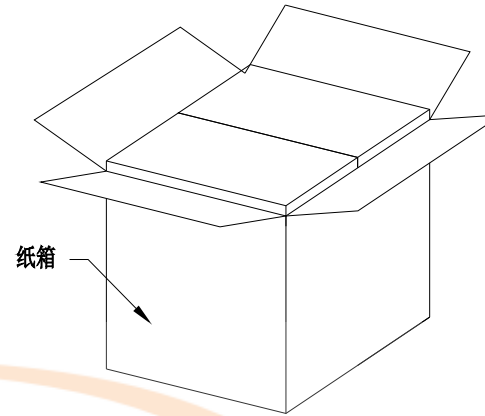
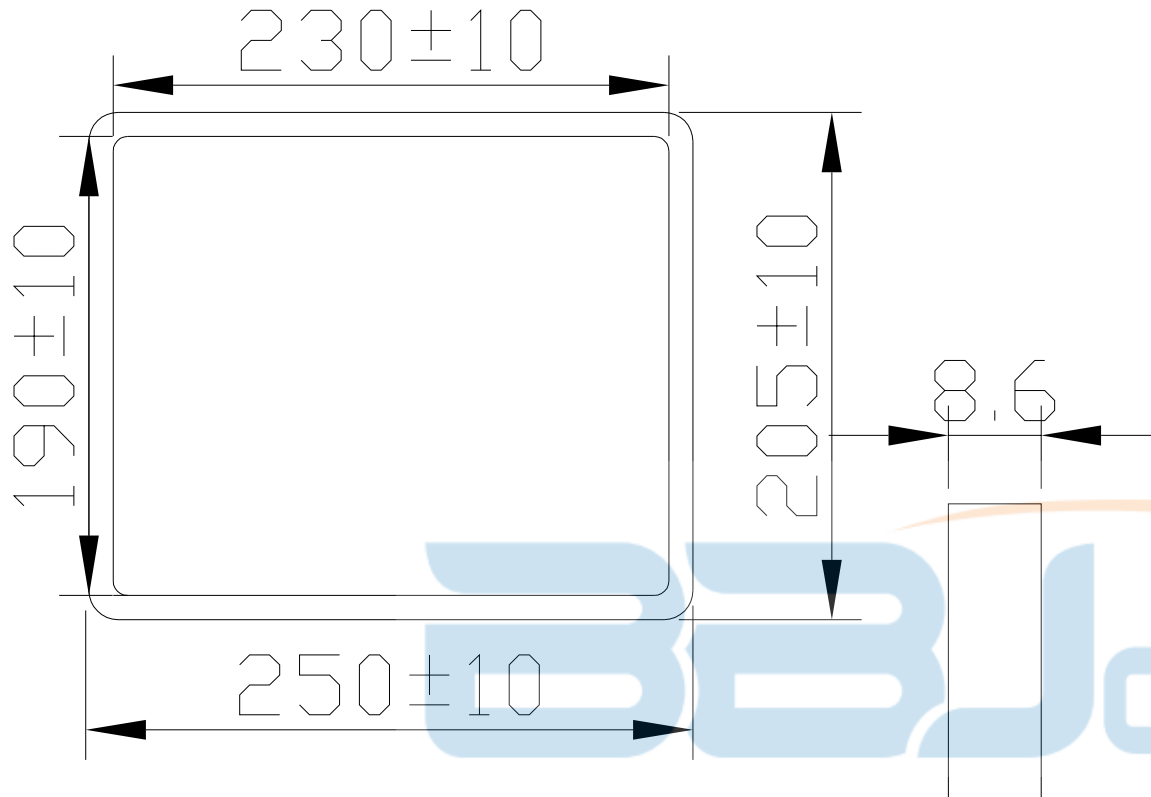
RECOMMENDED PCBA LAYOUT  
(TOLERANCE+±0.05)



Pin NUMBER	SIGNAL NAME
1	VBUS
2	D-
3	D+
4	GND
5	StdA_SSRX-
6	StdA_SSRX+
7	GND_DRAIN
8	StdA_SSTX-
9	StdA_SSTX+
Shell	Shield



TOLERANCE UNSPECIFIED		深圳市步步精科技有限公司			
X. ±0.30 X.X ±0.20 X.XX ±0.15 X.XXX ±0.05 ANGEL ±1°		TITLE: USB 3.0 AF 90度 沉板2.45 L=14.25 平口 LCP蓝胶 铁壳			
DRAWN/ DATE	设计 TSP	SIZE:A4	UNIT:MM.	PART. NO: UB.03.32-31-3002	
CHECKED/ DATE	审核 LYX	SCALE: 1:1		PROJECTION	REV.: 版本
APPROVED/ DATE	核准 LJP	DWG. PATH	0020-1		SHEET: 页码



纸箱规格: 350\*210\*290

### 1. 包装要求:

- 1.1 每盒吸塑盒包装100 pcs;
- 1.2 每50盘放一箱, 共计5000PCS;
- 1.3 纸箱外贴上标签



TOLERANCE UNSPECIFIED		深圳市步步精科技有限公司 TITLE: USB 3.0 AF 90度 沉板2.45 L=14.25 平口 LCP蓝胶 铁壳			
.0	±0.35	SIZE: A4	UNIT: MM.	PART. NO: UB.03.32-31-3002	
.00	±0.25	DRAWN/ DATE		SCALE: 1:1	PROJECTION
.000	±0.15	CHECKED/ DATE		REV.: 版本	
X.°	±2.00°	APPROVED/ DATE		DWG. PATH	SHEET: 页码
CUSTOMER DRAWING		设计 TSP	0020-1		
		审核 LYX			
		核准 LJP			