

REV.	DESCRIPTION	NAME	DATE
A	NEWS ISSUE		

规格说明: Specifications:

电气特性: Electrical:

1. 额定电流: Current Rating  
1.5A/contact terminal
2. 额定电压: Voltage Rating  
30V DC
3. 接触阻抗: Contact Resistance  
30 milliohms MAX
4. 耐电压: Dielectric Withstanding Voltage:  
500 V AC AT Sea Level
5. 绝缘阻抗: Insulation Resistance:  
1000MEGA ohms MIN

物理性能: Mechanical:

1. 插拔力: Connector Mate and Unmate Force  
Mate force: 3.57kgf (MAX)  
Unmate force: 1.02kgf (MIN)
2. 端子保持力: Terminal Retention  
1.2kgf (MIN)

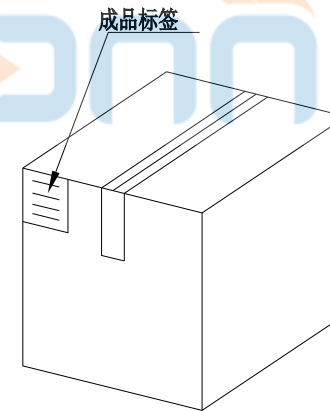
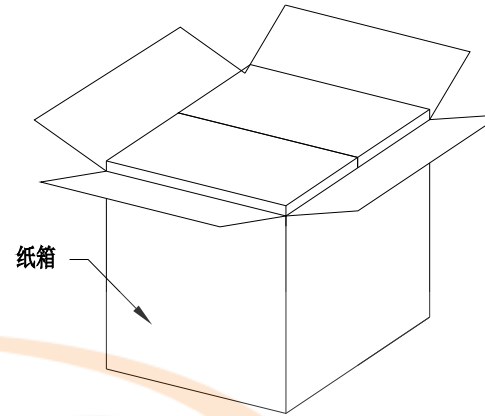
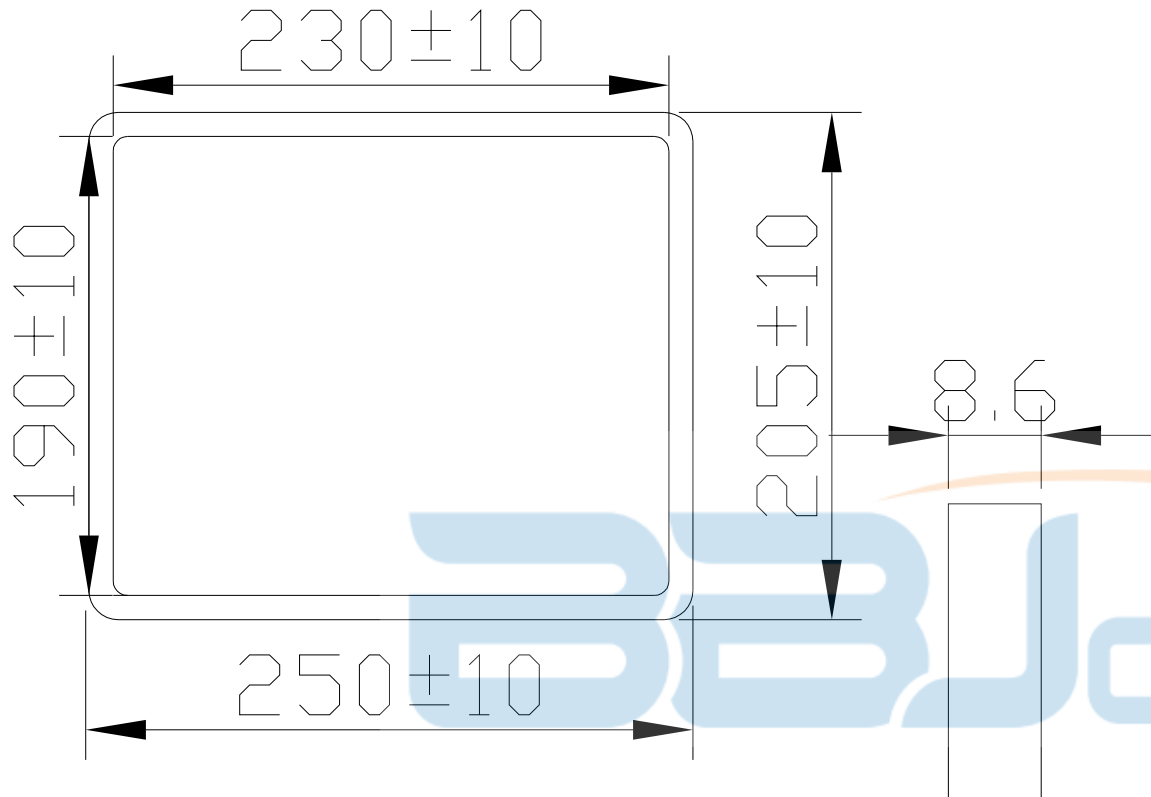
原材料: Material:

1. 塑胶: Housing:  
LCP WHITE/BLACK
2. 外壳: Shell: SPCC  
Nickel Plating
2. 端子: Contact: Copper Alloy C2680

电镀: Finish:

1. 端子: Contact: Plated Gold in Mating Area;  
Tin On Solder Tails

TOLERANCES		深圳市步步精科技有限公司			
. X ±0.30		TITLE:			
. XX ±0.20		USB 2.0 AF 双层 90度 L=17.5 DIP 弯脚 卷边 LCP黑胶 铁壳			
. XXX ±0.10		DRAWN/ DATE	设计 GY	SIZE: A4	UNIT: MM.
ANGLES ±2.00°		CHECKED/ DATE	审核 LYX	PART. NO: UB.01.11-11-V007	PROJECTION
		APPROVED/ DATE	核准 LJP	DWG. PATH	REV.: 版本
		0383-1			SHEET: 页码



纸箱规格: 350\*210\*290

### 1. 包装要求:

- 1.1 每盒吸塑盒包装100pcs;
- 1.2 每20盘放一箱, 共计2000PCS;
- 1.3 纸箱外贴上标签



TOLERANCE UNSPECIFIED		深圳市步步精科技有限公司 TITLE: USB 2.0 AF 双层 90度 L=17.5 DIP 弯脚 卷边 LCP黑胶 铁壳			
.0	±0.35	SIZE: A4	UNIT: MM.	PART. NO: UB.01.11-11-V007	
.00	±0.25	CHECKED/ DATE	SCALE: 1:1	PROJECTION	REV.: 版本
.000	±0.15	APPROVED/ DATE	DWG. PATH	0383-1	SHEET: 页码
X. °	±2.00°	CUSTOMER DRAWING			