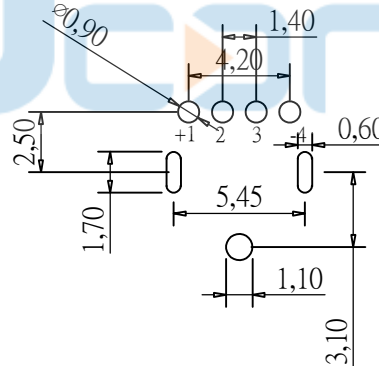
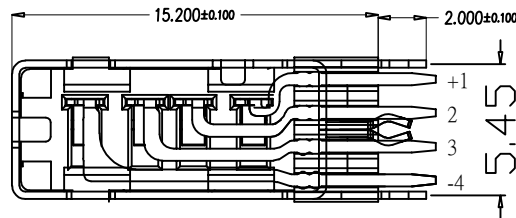
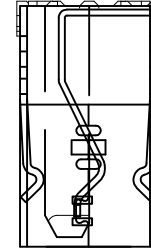
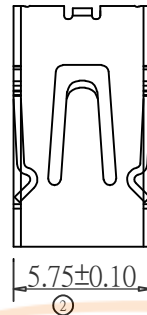
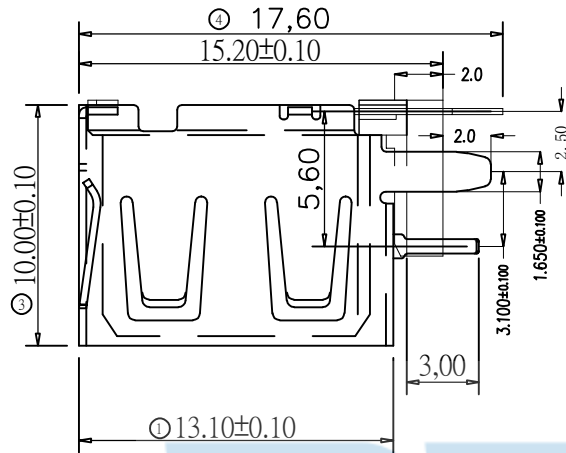




REV.	DESCRIPTION	NAME	DATE
A	NEWS ISSUE		



规格说明: Specifications:

电气特性: Electrical:

1. 额定电流: Current Rating
3.5A/contact terminal
2. 额定电压: Voltage Rating
30V DC
3. 接触阻抗: Contact Resistance
30 milliohms MAX
4. 耐电压: Dielectric Withstanding Voitage:
500 V AC AT Sea Level
5. 绝缘阻抗: Insulation Resistance:
1000MEGA ohms MIN

物理性能: Mechanical:

1. 插拔力: Connector Mate and Unmate Force
Mate force: 3.57kgf (MAX)
Unmate force: 1.02kgf (MIN)
2. 端子保持力: Terminal Retention
1.0kgf (MIN)

原材料: Material:

1. 塑胶: Housing: PA9T
Hing Temperature Thermoplastics,
2. 端子: Contact: Copper Alloy C7025
3. 外壳: Shell: Copper Alloy C2680/SPCC

电镀: Finish:

1. 端子: Contact: Plated Gold in Mating Area;
Tin On Solder Talls
端子四周镀50" (MIN) 锡, 镀金区域镀100-200" 镀金1U"
2. 外壳: Shell:
铜壳四周镀80" (MIN) 锡
Nickel Plating

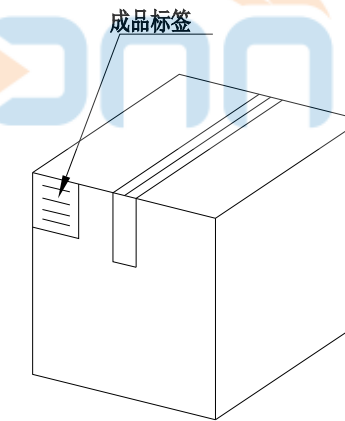
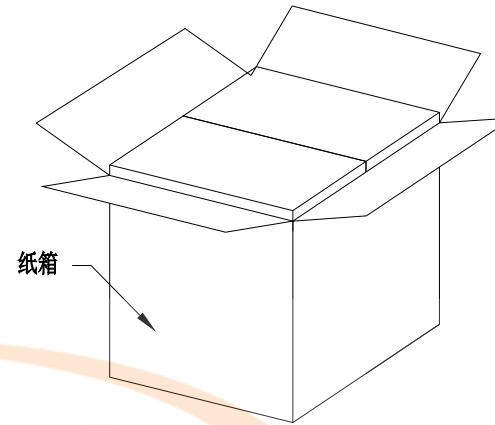
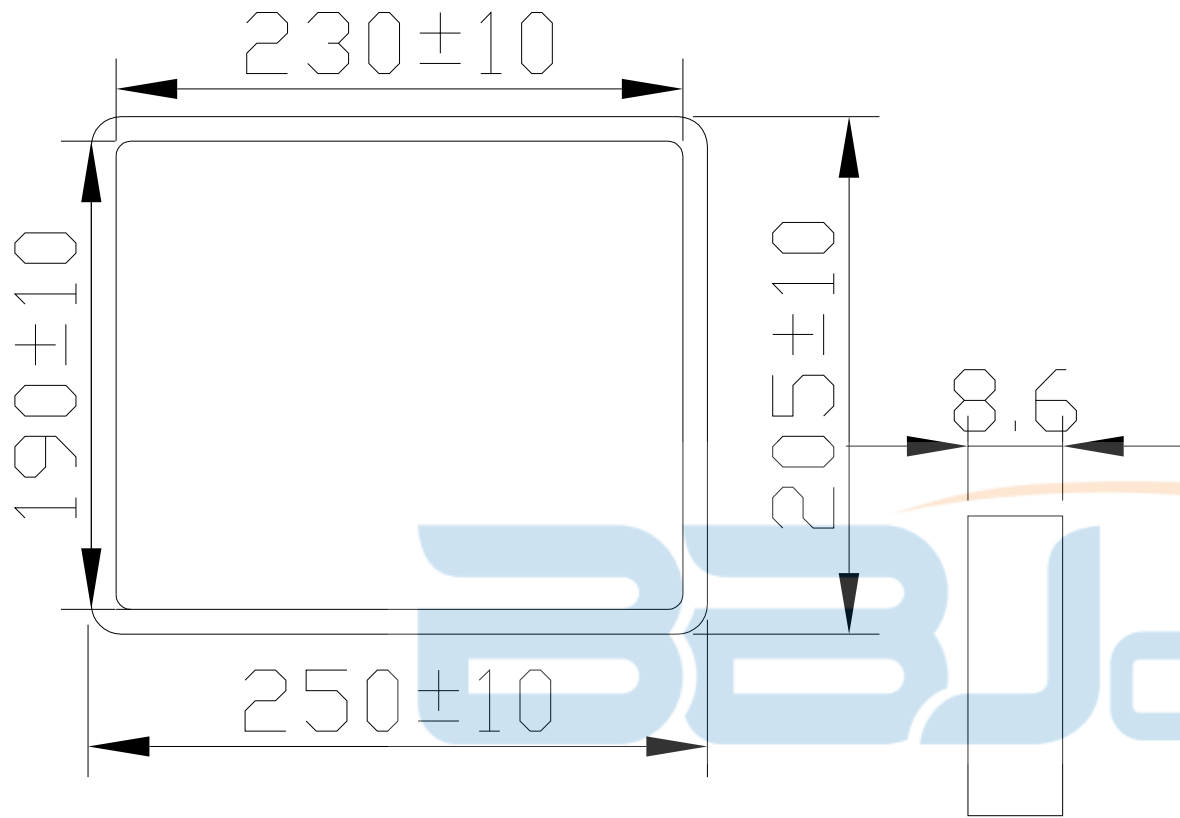


TOLERANCE UNSPECIFIED	
.0	±0.35
.00	±0.25
.000	±0.15
X.°	±2.00°
CUSTOMER DRAWING	

深圳市步步精科技有限公司

TITLE: USB 2.0 AF 侧插短体0型脚 L=10.0 垫高2.0 H=15.2 平口 铁壳 PA9T绿胶

DRAWN/ DATE	设计 HMY	SIZE:A4	UNIT:MM.	PART. NO: UB.01.42-61-V002	
CHECKED/ DATE	审核 LYX	SCALE: 1:1	PROJECTION		REV.: 版本
APPROVED/ DATE	核准 LJP	DWG. PATH	0383-1		SHEET: 页码



纸箱规格：350*210*290

1. 包装要求:

- 1.1 每盒吸塑盒包装100pcs;
- 1.2 每20盘放一箱，共计2000PCS;
- 1.3 纸箱外贴上标签



TOLERANCE UNSPECIFIED		深圳市步步精科技有限公司 TITLE: USB 2.0 AF 侧插短体0型脚 L=10.0 垫高2.0 H=15.2 平口 铁壳 PA9T绿胶			
.0	±0.35	SIZE:A4	UNIT:MM.	PART. NO: UB.01.42-61-V002	
.00	±0.25	CHECKED/ DATE	SCALE: 1:1	PROJECTION	REV.: 版本
.000	±0.15	APPROVED/ DATE	DWG. PATH	0383-1	SHEET: 页码
X.°	±2.00°				
CUSTOMER DRAWING					