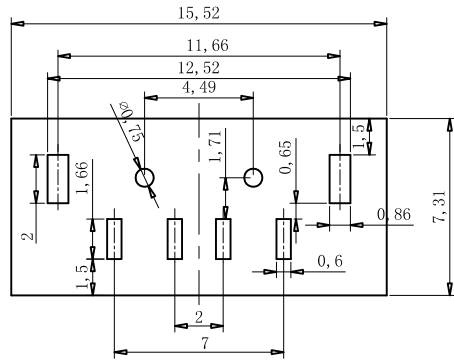
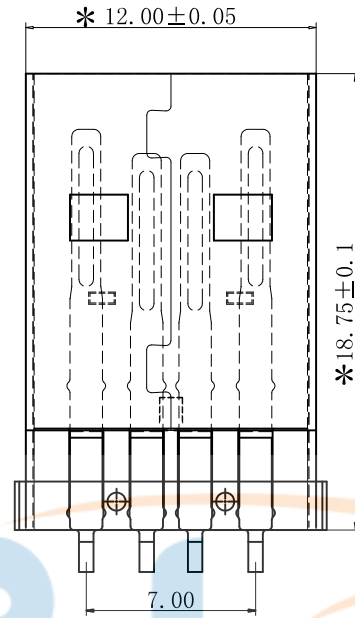
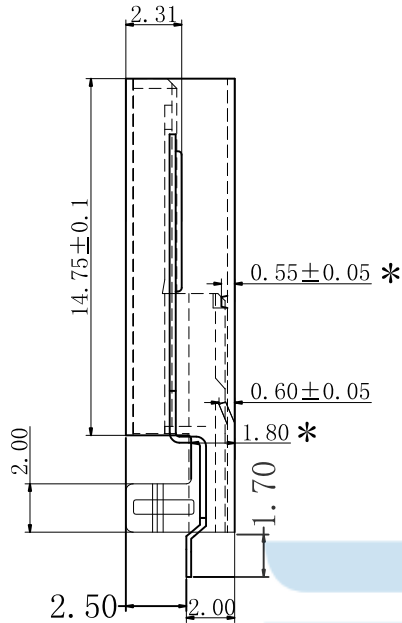
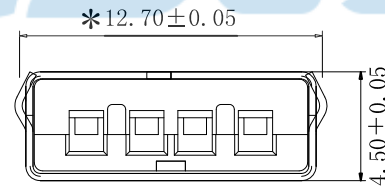




REV.	DESCRIPTION	NAME	DATE
A	NEWS ISSUE		



PCB LAYOUT



规格说明: Specifications:

电气特性: Electrical:

1. 额定电流: Current Rating
1.5A/contact terminal
2. 额定电压: Voltage Rating
30V DC
3. 接触阻抗: Contact Resistance
30 milliohms MAX
4. 耐电压: Dielectric Withstanding Voltage:
500 V AC AT Sea Level
5. 绝缘阻抗: Insulation Resistance:
1000MEGA ohms MIN

物理性能: Mechanical:

1. 插拔力: Connector Mate and Unmate Force
Mate force: 3.75kgf (MAX)
Unmate force: 1.02kgf (MIN)
2. 端子保持力: Terminal Retention
1.2kgf (MIN)

原材料: Material:

1. 塑胶: Housing:
Hing Temperature Ternmaplastics,
U1 94V-0 PBT/LCP White/Black
2. 端子: Contact: Copper Alloy C2680
3. 外壳: Shell: Copper Alloy C2680/SPCC

电镀: Finish:

1. 端子: Contact: Plated Gold in Mating Area;
Tin On Solder Talls
2. 外壳: Shell:
Nickel Plating

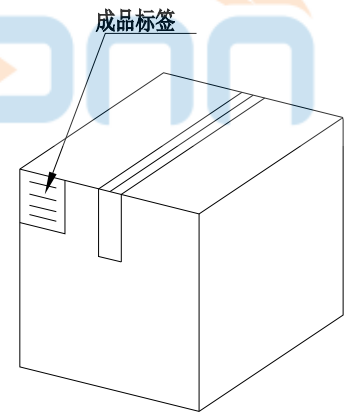
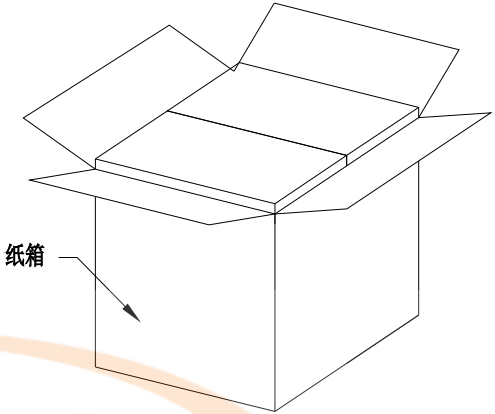
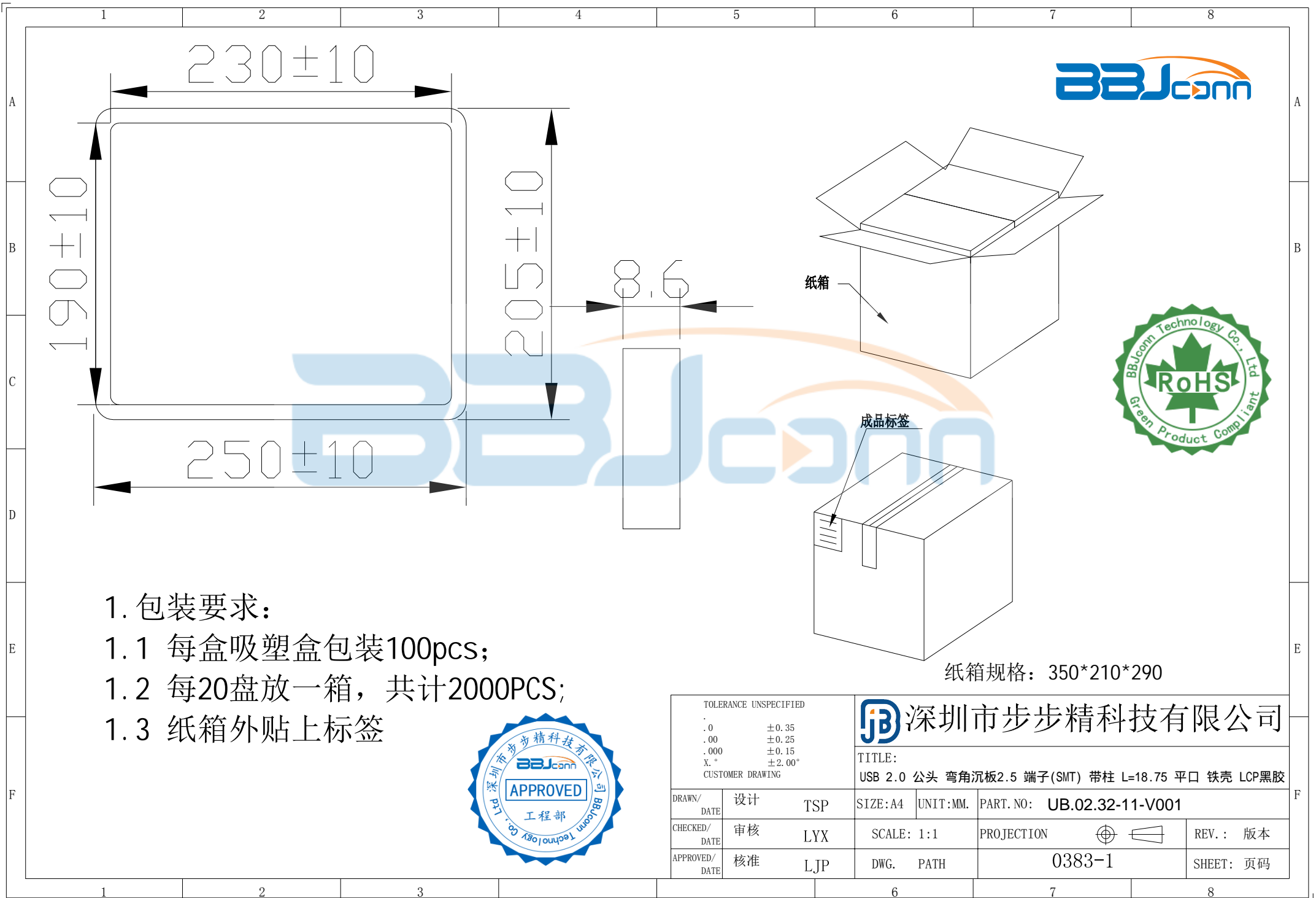


TOLERANCE UNSPECIFIED	
X, X	±0.30
X, XX	±0.20
X, XXX	±0.10
X°	±5°
X, X°	±2°

深圳市步步精科技有限公司

TITLE:
USB 2.0 公头 弯角沉板2.5 端子(SMT) 带柱 L=18.75 平口 铁壳 LCP黑胶

DRAWN/ DATE	设计 TSP	SIZE:A4	UNIT:MM.	PART. NO:	UB.02.32-11-V001
CHECKED/ DATE	审核 LYX	SCALE: 1:1	PROJECTION	REV.:	版本
APPROVED/ DATE	核准 LJP	DWG. PATH	0383-1	SHEET:	页码



纸箱

成品标签

纸箱规格：350*210*290

- 1. 包装要求：
- 1.1 每盒吸塑盒包装100pcs；
- 1.2 每20盘放一箱，共计2000PCS；
- 1.3 纸箱外贴上标签



TOLERANCE UNSPECIFIED		深圳市步步精科技有限公司 TITLE: USB 2.0 公头 弯角沉板2.5 端子(SMT) 带柱 L=18.75 平口 铁壳 LCP黑胶								
.0	±0.35									
.00	±0.25	DRAWN/ DATE		设计	TSP	SIZE: A4	UNIT: MM.	PART. NO: UB.02.32-11-V001		
.000	±0.15	CHECKED/ DATE		审核	LYX	SCALE: 1:1		PROJECTION	REV.: 版本	
X. °	±2.00°	APPROVED/ DATE		核准	LJP	DWG. PATH	0383-1		SHEET: 页码	
CUSTOMER DRAWING										