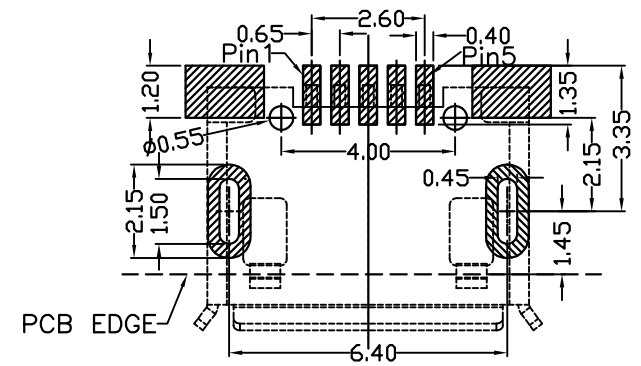
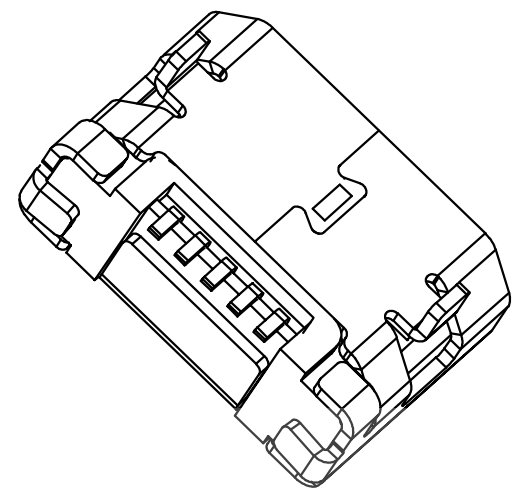
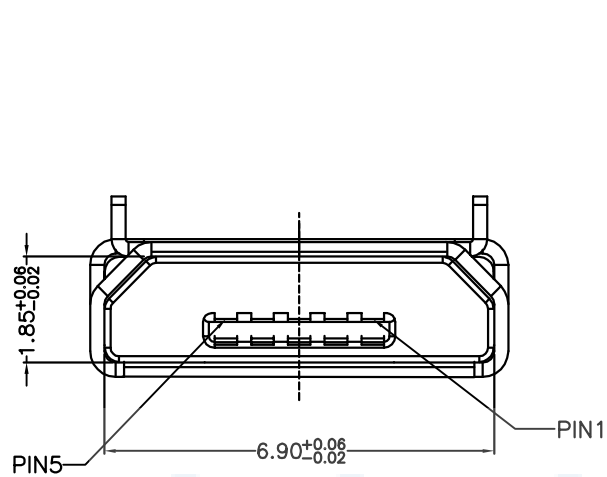


REV.	ECN NO	CONTENT	DATE	ENGINEER
A0			2023 20/04	



RECOMMENDED PCB LAYOUT

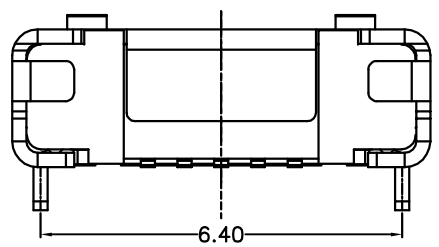
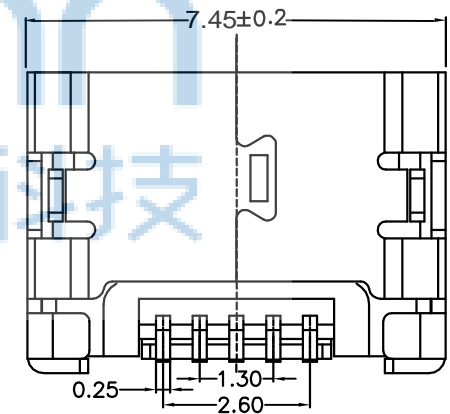
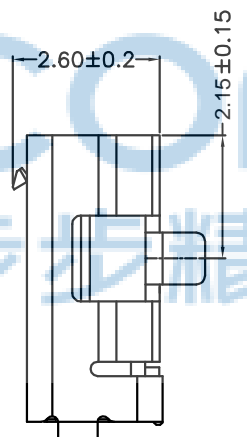
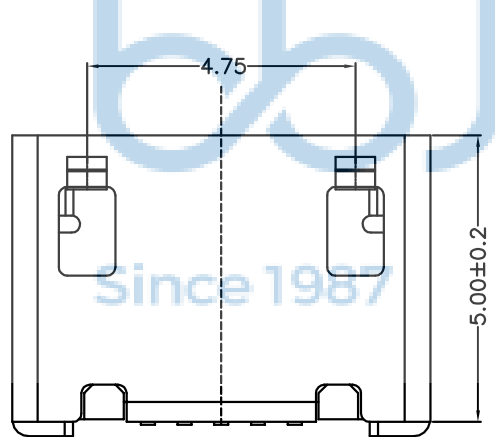
Note:

1.Material:

- 1.1 Housing: High temperature thermoplastic with g.f,UL94v-0
- 1.2 Contact: copper alloy,t=0.20mm AU1U"
- 1.3 Shell: copper alloy sus304,t=0.25mm

2.Specification:

- 2.1 Current rating:1,5PIN 2A Max/2,3,4PIN 1A Max.
- 2.2 Dielectric withstanding voltage: 100 V(ac) for 1 min.
- 2.3 Contact resistance: 30 mΩ Max.
- 2.4 Insulation resistance: 100 MΩ Min.
- 2.5 Total mating force: 3.57 Kgf Max.
- 2.6 Total unmating force: 1.0 Kgf Min.
- 2.7 Temperature range: -30°C~80°C



① 端子	PR-0226	1SET	C2680H,T=0.15,镀全金
② 主体	PR-0501	1PCS	LCP+30%GF(黑色),UL94-V0;C2680
③ 壳体	PR-0228	1PCS	C2680H T=0.25mm 镀雾锡或镀可焊银
零件	图号	数量	规格

THIS DOCUMENT IS THE SOLE PROPERTY OF BBJconn Technology Co.,Ltd. Corporation AND SHOULD NOT BE USED IN WHOLE OR IN PART WITHOUT PRIOR WRITTEN PERMISSION.
PDWNG.NO: 0113-1

深圳市步步精科技有限公司

NAME: MICRO-5P 内插无柱 平口 雾锡 固定脚距6.4 铜壳L-5.0冷封编带

PJ. NO.: MC.01.22-11-1005

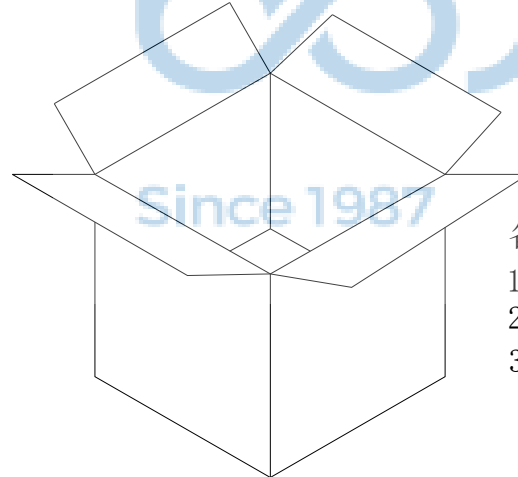
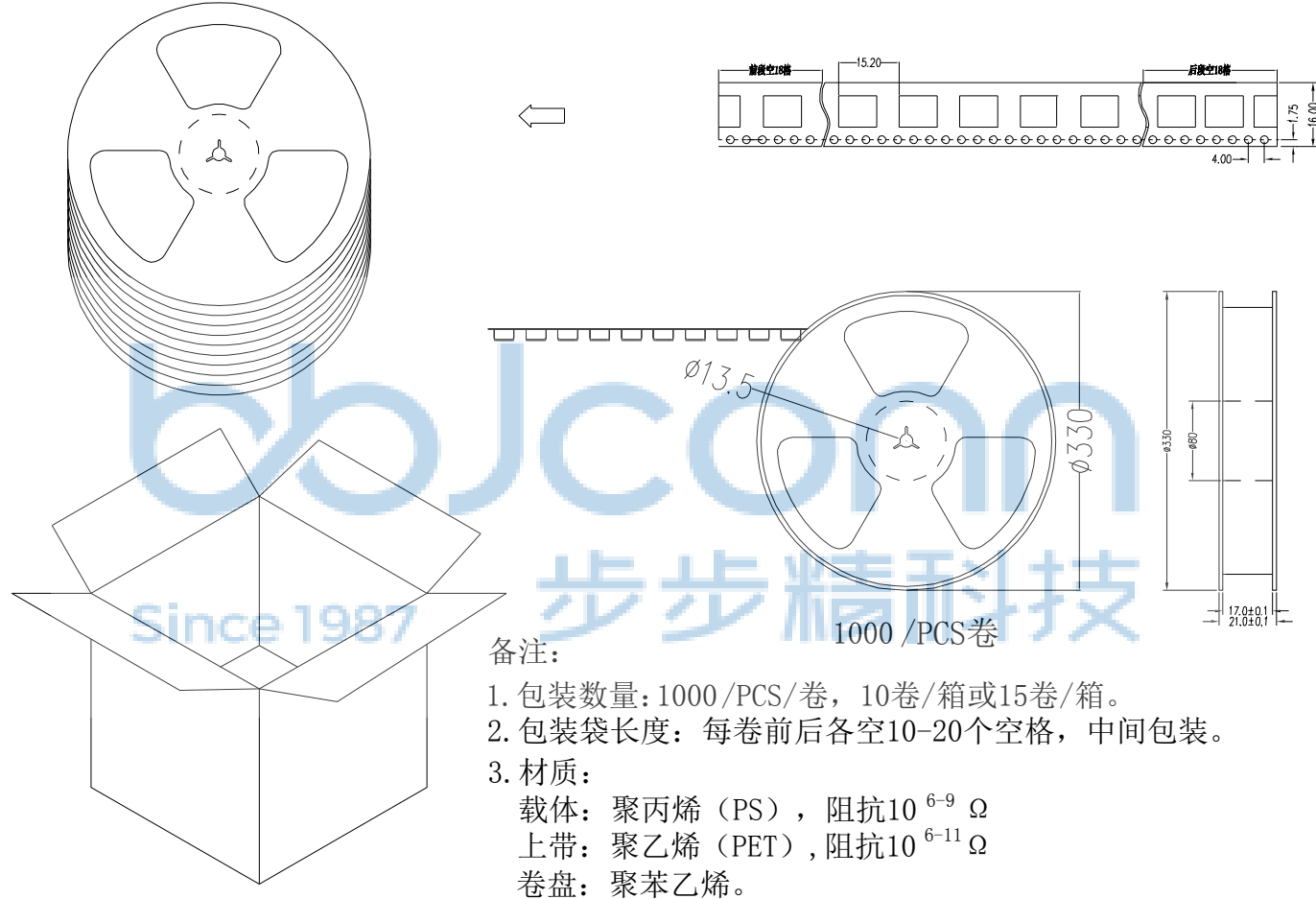
SIZE: A4 DRW NO.:

FINISH: SEE NOTES MAT'L.: SEE NOTES

SCALE: N/A REV.: A3 UNIT: mm PAGE: 1/1

APPD.	JM_Zheng	23/05/02
CHKD.	LYX	23/05/02
DR.	SGF	23/05/02

REV.	ECN NO	CONTENT	DATE	ENGINEER
A0			2023 20/04	



1000 / PCS 卷

备注：
 1. 包装数量：1000 / PCS / 卷，10卷 / 箱或15卷 / 箱。
 2. 包装袋长度：每卷前后各空10-20个空格，中间包装。
 3. 材质：
 载体：聚丙烯（PS），阻抗 $10^{6-9} \Omega$
 上带：聚乙烯（PET），阻抗 $10^{6-11} \Omega$
 卷盘：聚苯乙烯。

纸箱规格：345*345*23MM
 纸箱规格：345*345*35MM



THIS DOCUMENT IS THE SOLE PROPERTY OF BBJconn Technology Co.,Ltd. Corporation AND SHOULD NOT BE USED IN WHOLE OR IN PART WITHOUT PRIOR WRITTEN PERMISSION.		深圳市步步精科技有限公司	
.X: ±0.38 .XX: ±0.25 .XXX: ±0.13		X': ±3" X'': ±2" XX': ±1"	
APPD.	JM_Zheng	23/05/02	NAME: MICRO-5P 内插无柱 平口 雾锡 固定脚距6.4 铜壳L-5.0冷封编带
CHKD.	LYX	23/05/02	PJ. NO.: MC.01.22-11-1005
DR.	SGF	23/05/02	SIZE: A4 DRW NO.:
PDWG.NO: 0113-1		FINISH: SEE NOTES MAT'L.: SEE NOTES	
		SCALE: N/A REV.: A3 UNIT: mm PAGE: 1/1	