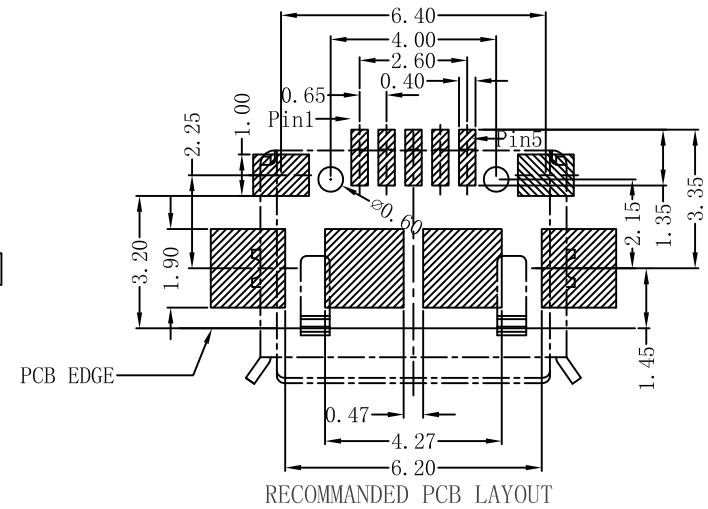
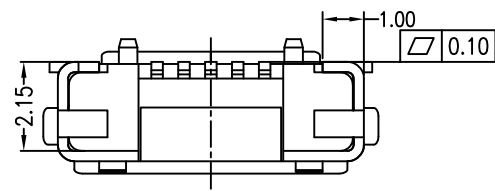
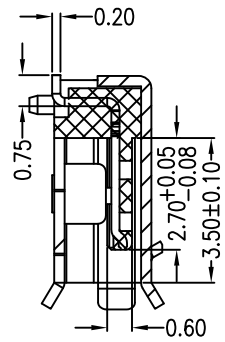
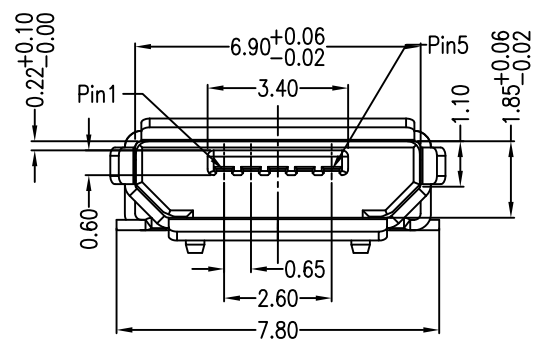
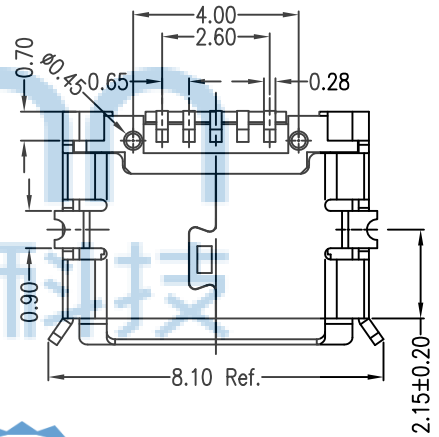
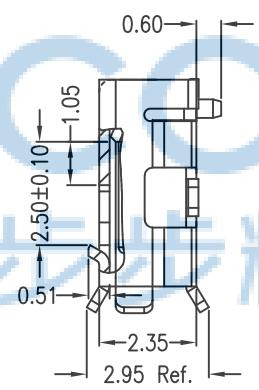
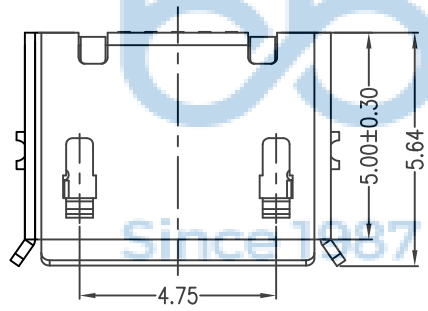


REV.	ECN NO	CONTENT	DATE	ENGINEER
AO			2023 20/04	

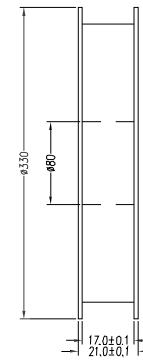
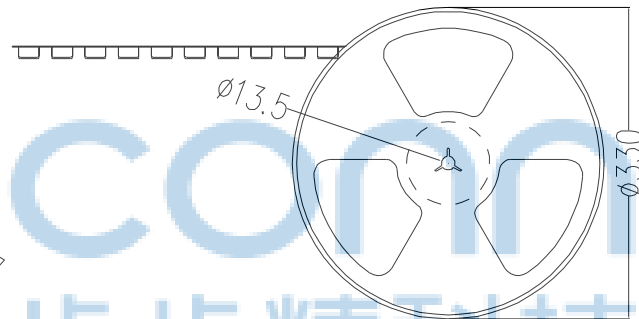
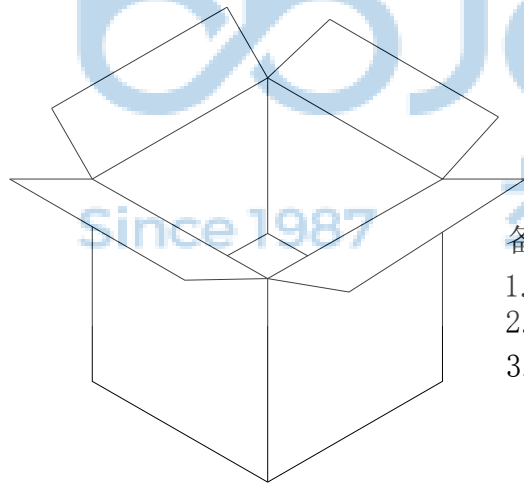
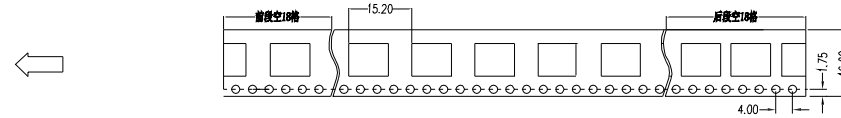
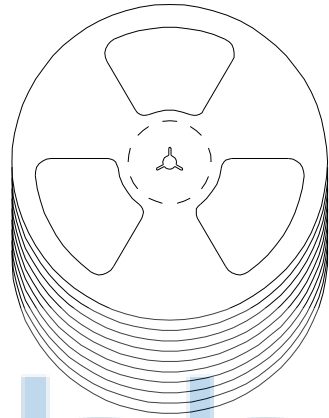


- Note:
- Material:
    - Housing: High temperature thermoplastic with g.f, UL94v-0
    - Contact: copper alloy, t=0.20mm
    - Shell: copper or sus304, t=0.25mm
  - Specification:
    - Current rating: 1, 5PIN 1.8A Max/2, 3, 4PIN 1A Max.
    - Dielectric withstanding voltage: 100 V(ac) for 1 min.
    - Contact resistance: 30 mΩ Max.
    - Insulation resistance: 100 MΩ Min.
    - Total mating force: 3.57 Kgf Max.
    - Total unmating force: 1.0 Kgf Min
    - Temperature range: -30° C~80° C
    - Durability: 5000 times



THIS DOCUMENT IS THE SOLE PROPERTY OF BBJconn Technology Co., Ltd. Corporation AND SHOULD NOT BE USED IN WHOLE OR IN PART WITHOUT PRIOR WRITTEN PERMISSION.		深圳市步步精科技有限公司 .X: ±0.38    .X': ±3' .XX: ±0.25    .X'': ±2' .XXX: ±0.13    .X''': ±1'		NAME: MICRO-5P 母座 L=5.64 全贴 有柱 卷边 铜壳 雾锡	
APPD.	JM_Zheng	23/05'02	PJ. NO.: MC.01.31-11-1001 SIZE: A4   DRW NO.:		
CHKD.	LYX	23/05'02	FINISH: SEE NOTES    MAT'L.: SEE NOTES		
PDWG.NO:	0113-1	DR.	SGF	23/05'02	SCALE: N/A    REV.: A3    UNIT: mm    PAGE: 1/1

REV.	ECN NO	CONTENT	DATE	ENGINEER
A0			2023 20/04	



备注: 1000 /PCS 卷

1. 包装数量: 1000 /PCS/卷, 10卷/箱或15卷/箱。
2. 包装袋长度: 每卷前后各空10-20个空格, 中间包装。
3. 材质:  
载体: 聚丙烯 (PS), 阻抗 $10^{6-9} \Omega$   
上带: 聚乙烯 (PET), 阻抗 $10^{6-11} \Omega$   
卷盘: 聚苯乙烯。

纸箱规格: 345\*345\*23MM  
纸箱规格: 345\*345\*35MM



THIS DOCUMENT IS THE SOLE PROPERTY OF BBJconn Technology Co.,Ltd. Corporation AND SHOULD NOT BE USED IN WHOLE OR IN PART WITHOUT PRIOR WRITTEN PERMISSION.		深圳市步步精科技有限公司 .X: ±0.38    .X': ±3' .XX: ±0.25    .X'': ±2' .XXX: ±0.13    .XX': ±1'		NAME: MICRO-5P 母座 L=5.64 全贴 有柱 卷边 铜壳 雾锡 PJ. NO.: MC.01.31-11-1001 SIZE: A4   DRW NO.: FINISH: SEE NOTES   MAT'L.: SEE NOTES SCALE: N/A   REV.: A3   UNIT: mm   PAGE: 1/1	
APPD.	JM_Zheng	23/05'02			
CHKD.	LYX	23/05'02			
PDWG.NO:	0113-1	DR.	SGF	23/05'02	