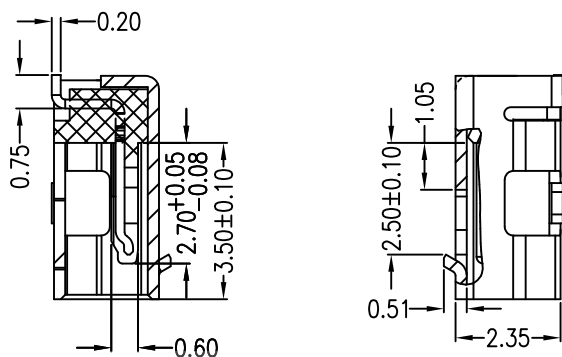
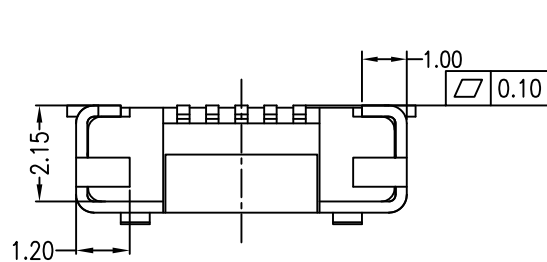


REV.	ECN NO.	CONTENT	DATE	ENGINEER
AO			2023 20/04	



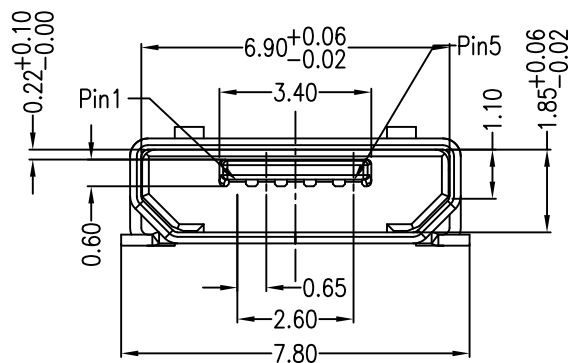
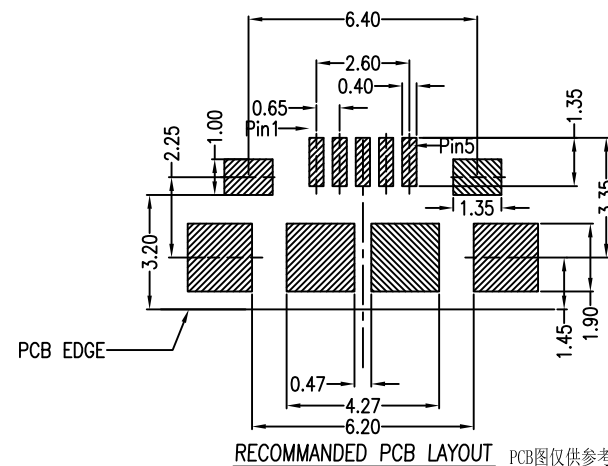
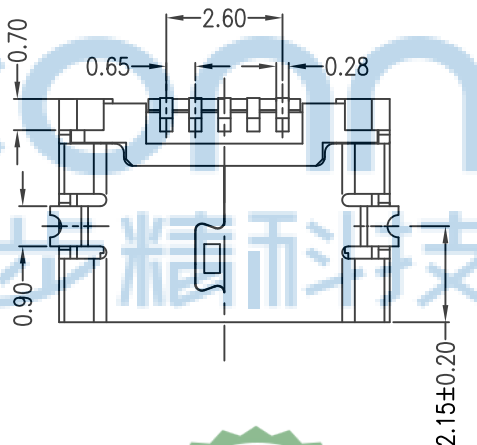
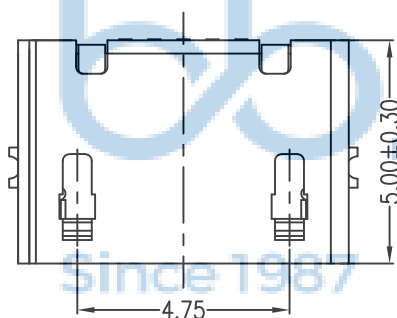
Note:

1. Material:

- 1.1 Housing: High temperature thermoplastic with g.f, UL94v-0
- 1.2 Contact: copper alloy, t=0.20mm
- 1.3 Shell: copper or sus304, t=0.25mm

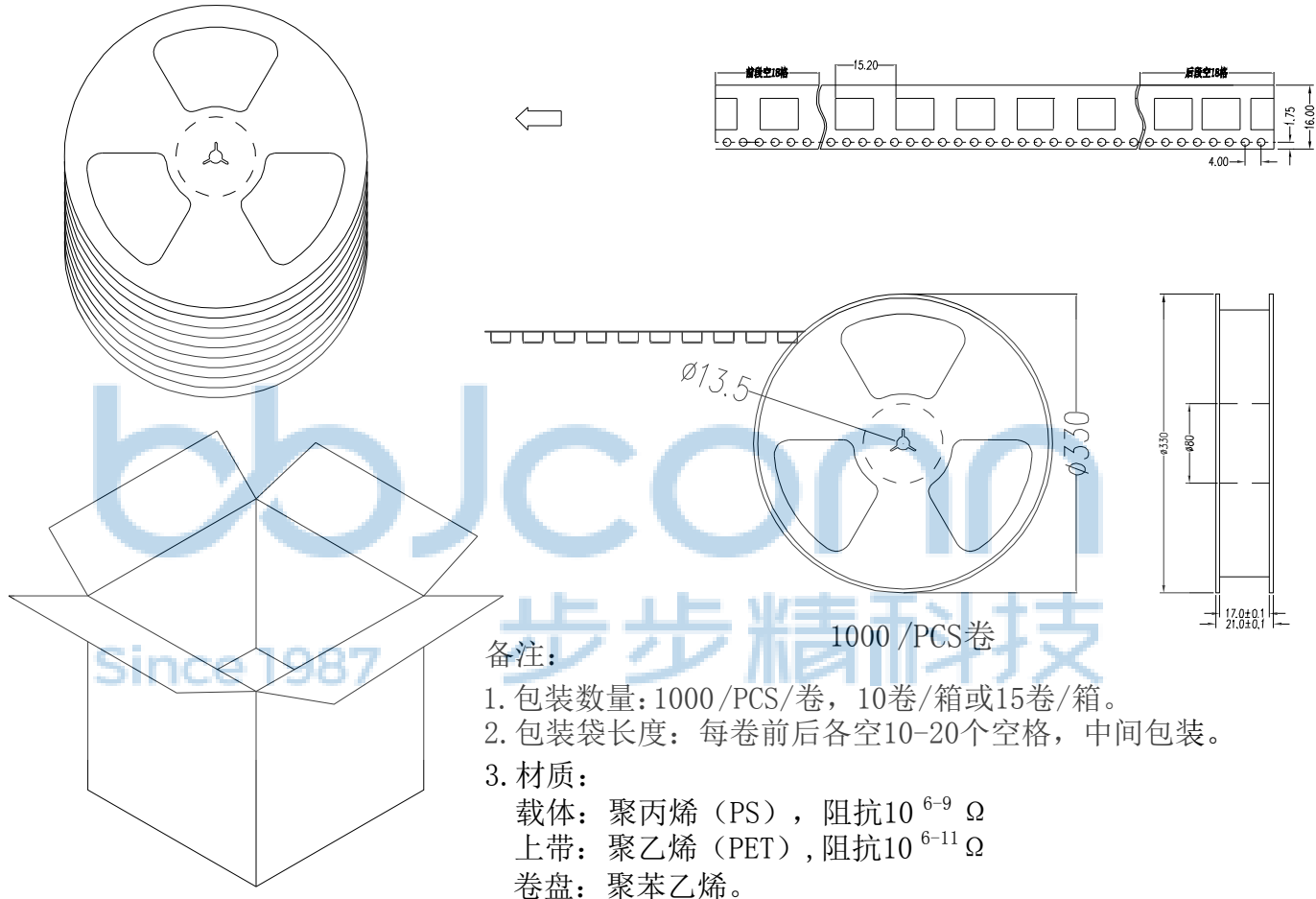
2. Specification:

- 2.1 Current rating: 1, 5PIN 1.8A Max/2, 3, 4PIN 1A Max.
- 2.2 Dielectric withstanding voltage: 100 V(ac) for 1 min.
- 2.3 Contact resistance: 30 mΩ Max.
- 2.4 Insulation resistance: 100 MΩ Min.
- 2.5 Total mating force: 3.57 Kgf Max.
- 2.6 Total unmating force: 1.0 Kgf Min
- 2.7 Temperature range: -30° C~80° C



THIS DOCUMENT IS THE SOLE PROPERTY OF BBJconn Technology Co., Ltd. Corporation AND SHOULD NOT BE USED IN WHOLE OR IN PART WITHOUT PRIOR WRITTEN PERMISSION.		深圳市步步精科技有限公司	
PDWG.NO: 0113-1	APPD. JM_Zheng 23/05'02	.X: ±0.38 .XX: ±0.25 .XXX: ±0.13	NAME: micro-5p 母座 全贴无柱 L=5.0 雾锡 平口 冷封编带 不锈钢外壳 PJ. NO.: MC.01.42-11-1001 SIZE: A4 DRW NO.: FINISH: SEE NOTES MAT'L.: SEE NOTES SCALE: N/A REV.: A3 UNIT: mm PAGE: 1/1
	CHKD. LYX 23/05'02	X': ±3' .X': ±2' .XX': ±1'	
	DR. SGF 23/05'02		

REV.	ECN NO	CONTENT	DATE	ENGINEER
A0			2023 20/04	



1000 /PCS 卷

备注:

1. 包装数量: 1000 /PCS/ 卷, 10卷/箱或15卷/箱。
2. 包装袋长度: 每卷前后各空10-20个空格, 中间包装。
3. 材质:
载体: 聚丙烯 (PS), 阻抗 $10^{6-9} \Omega$
上带: 聚乙烯 (PET), 阻抗 $10^{6-11} \Omega$
卷盘: 聚苯乙烯。

纸箱规格: 345*345*23MM

纸箱规格: 345*345*35MM



THIS DOCUMENT IS THE SOLE PROPERTY OF BBJconn Technology Co.,Ltd. Corporation AND SHOULD NOT BE USED IN WHOLE OR IN PART WITHOUT PRIOR WRITTEN PERMISSION.		深圳市步步精科技有限公司 .X: ±0.38 .X': ±3' .XX: ±0.25 .X'': ±2' .XXX: ±0.13 .XX': ±1'		NAME: micro-5p 母座 全贴无柱 L=5.0 剪锡 平口 冷封编带 不锈钢外壳 PJ. NO.: MC.01.42-11-1001 SIZE: A4 DRW NO.: FINISH: SEE NOTES MAT'L.: SEE NOTES			
PDWG.NO: 0113-1	DR.	SGF	23/05/02	SCALE: N/A	REV.: A3	UNIT: mm	PAGE: 1/1