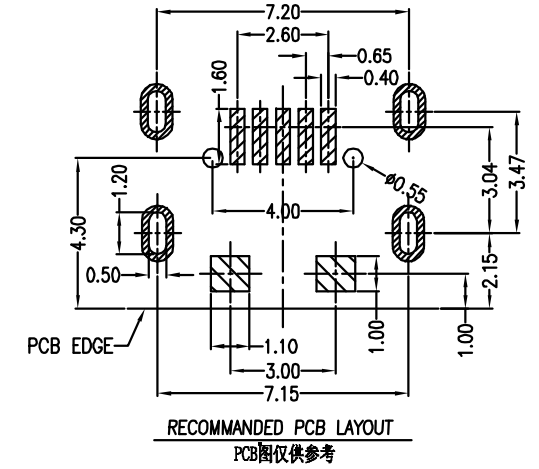
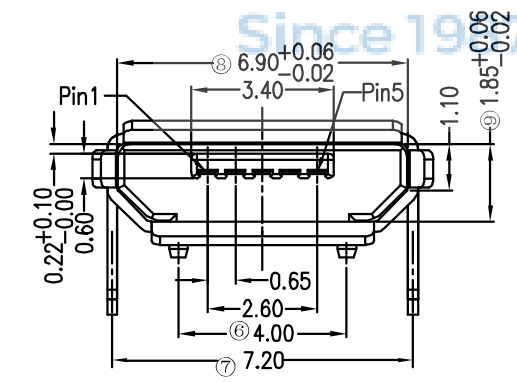
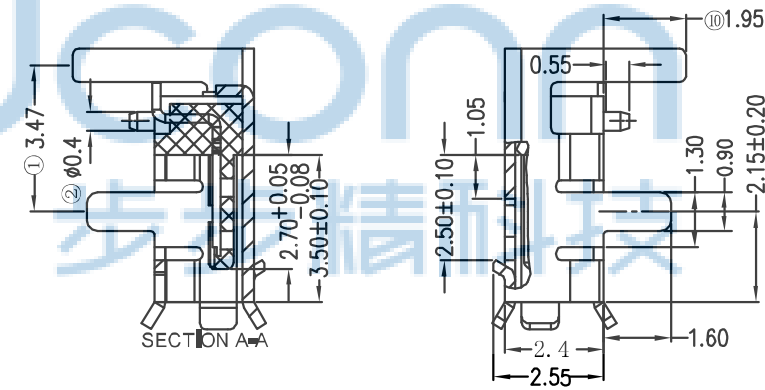
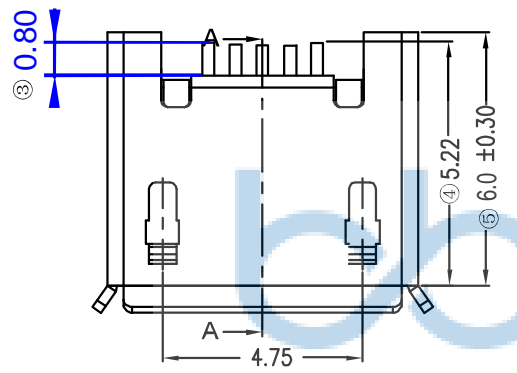
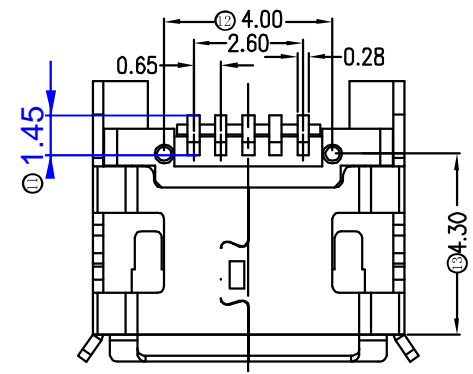
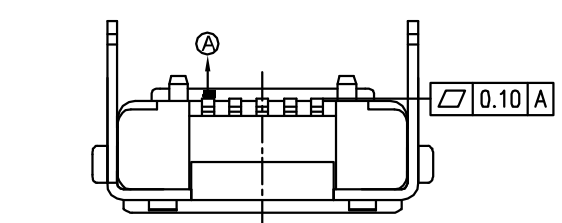


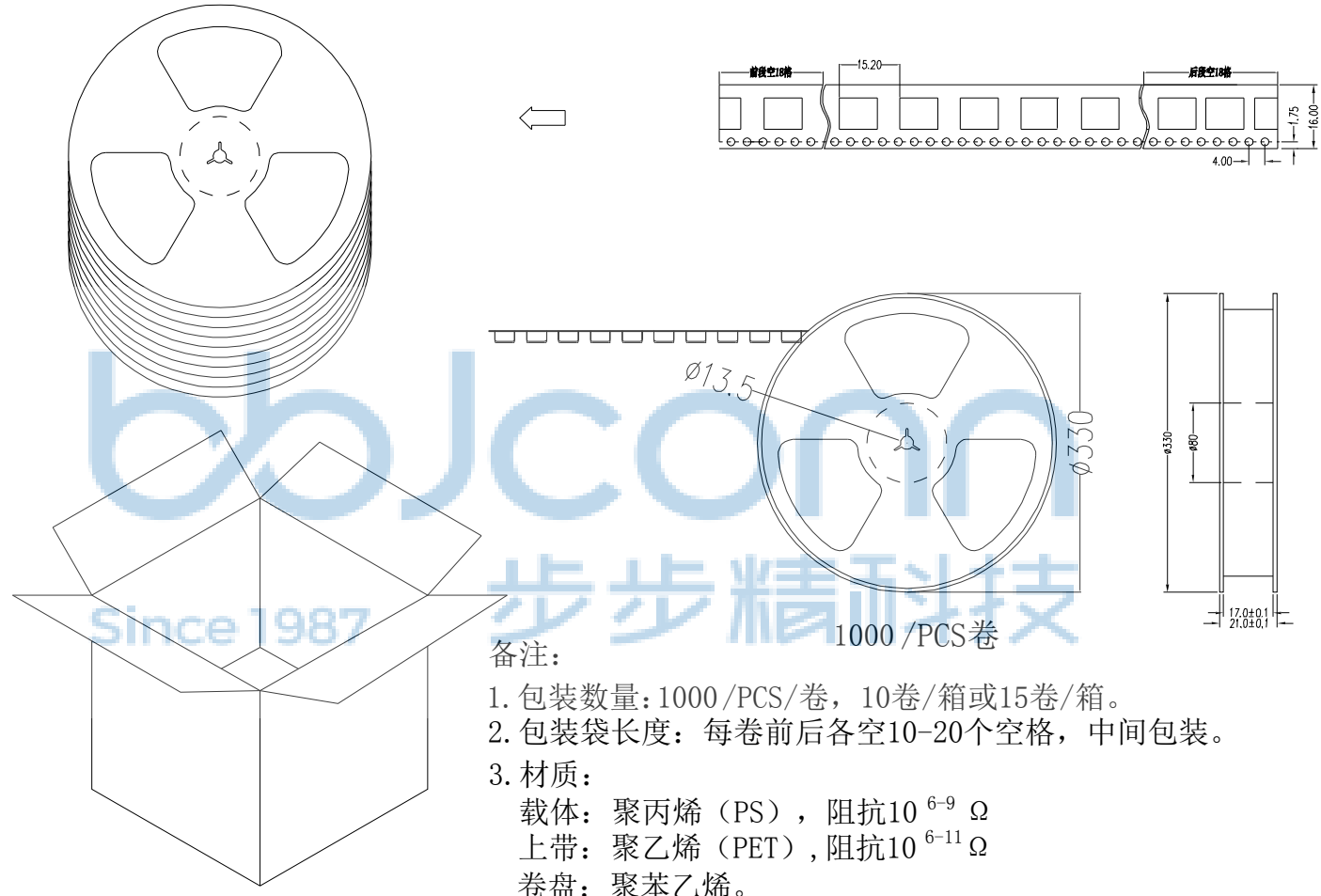
REV.	ECN NO	CONTENT	DATE	ENGINEER
AO			2023 20/04	

- Note:**
- 1.Material:**
 - 1.1 Housing: High temperature thermoplastic with g.f,UL94v-0
 - 1.2 Contact: copper alloy,t=0.20mm
 - 1.3 Shell: copper alloy,t=0.25mm
 - 2.Specification:**
 - 2.1 Current rating:1,5PIN 1.8A Max/2,3,4PIN 1A Max.
 - 2.2 Dielectric withstanding voltage: 100 V(ac) for 1 min.
 - 2.3 Contact resistance: 30 mΩ Max.
 - 2.4 Insulation resistance: 100 MΩ Min.
 - 2.5 Total mating force: 4.0 Kgf Max.
 - 2.6 Total unmating force: 0.7 Kgf Min.
2. Temperature range: -30°C~80°C



THIS DOCUMENT IS THE SOLE PROPERTY OF BBJconn Technology Co., Ltd. Corporation AND SHOULD NOT BE USED IN WHOLE OR IN PART WITHOUT PRIOR WRITTEN PERMISSION.		深圳市步步精科技有限公司 NAME: MICRO-5P 脚距7.2四脚插有柱亮锡L=6.05卷边前1.6后1.95端子1.45编带	
APPD.	JM_Zheng 23/05'02	PJ. NO.: MC.01.51-21-1001 SIZE: A4 DRW NO.:	
CHKD.	LYX 23/05'02	FINISH: SEE NOTES MAT'L.: SEE NOTES	
PDWG.NO: 0113-1	DR. SGF 23/05'02	SCALE: N/A	REV.: A3 UNIT: mm PAGE: 1/1

REV.	ECN NO	CONTENT	DATE	ENGINEER
A0			2023 20/04	



- 备注:
1. 包装数量: 1000 / PCS / 卷, 10卷 / 箱或15卷 / 箱。
 2. 包装袋长度: 每卷前后各空10-20个空格, 中间包装。
 3. 材质:
载体: 聚丙烯 (PS), 阻抗 $10^{6-9} \Omega$
上带: 聚乙烯 (PET), 阻抗 $10^{6-11} \Omega$
卷盘: 聚苯乙烯。

纸箱规格: 345*345*23MM
纸箱规格: 345*345*35MM



THIS DOCUMENT IS THE SOLE PROPERTY OF BBJconn Technology Co.,Ltd. Corporation AND SHOULD NOT BE USED IN WHOLE OR IN PART WITHOUT PRIOR WRITTEN PERMISSION.		深圳市步步精科技有限公司 .X: ±0.38 .X': ±3" .XX: ±0.25 .X'': ±2" .XXX: ±0.13 .X''': ±1"		NAME: MICRO-5P 脚距7.2四脚插有柱亮锡L=6.05卷边前1.6后1.95端子1.45编带 PJ. NO.: MC.01.51-21-1001 SIZE: A4 DRW NO.: FINISH: SEE NOTES MAT'L.: SEE NOTES	
APPD.	JM_Zheng	23/05'02	DR.	SGF	23/05'02
PDWG.NO:	0113-1		SCALE:	N/A	REV.: A3
			UNIT:	mm	PAGE: 1/1