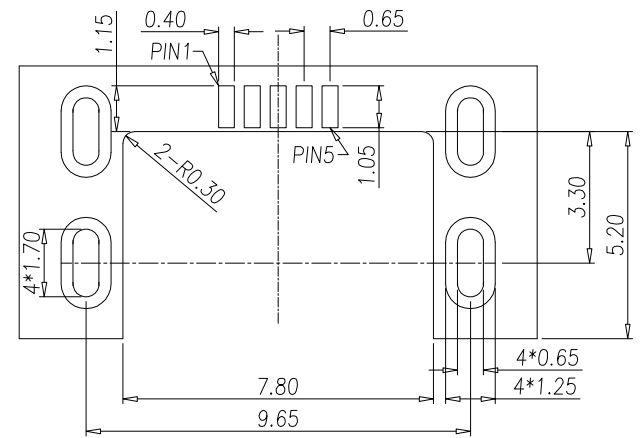
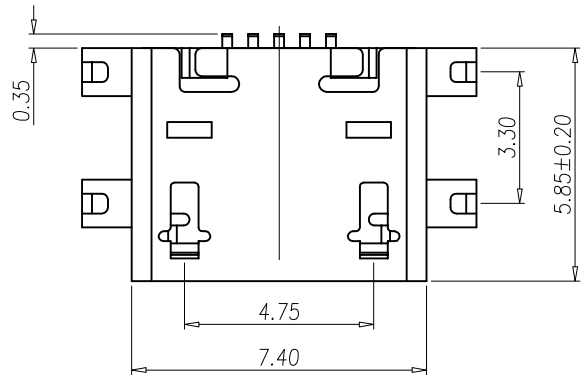


REV.	ECN NO.	CONTENT	DATE	ENGINEER
AO			2023 20/04	



RECOMMEND P.C.B.LAYOUT

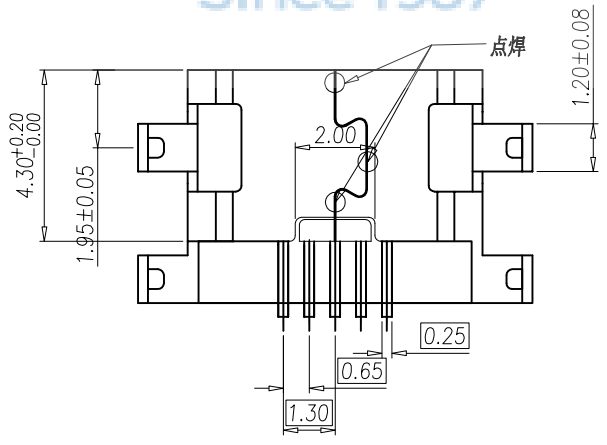
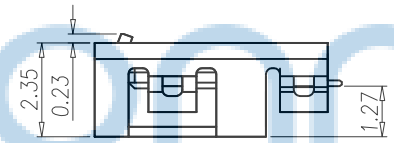
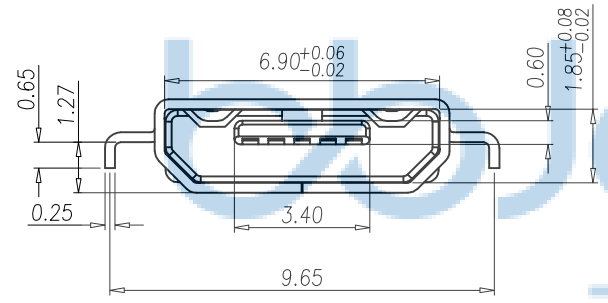
NOTES:

MATERIALS

- HOUSING:
HI-TEMP. PLASTIC UL 94V-0 BLACK
- COCONTACT
COPPER ALLOY, T=0.15mm
GOLD PLATED ON CONTACT AREA
GOLD FLASH PLATED ON SOLDER TAILS UNDER NICKEL PLATED
- SHELL:
STAINLESS STEEL T=0.25mm
MATTE TIN PLATING OVERALL UNDER NICKEL PLATED

SPECIFICATIONS

- VOLTAGE RATING: 30V AC
- CURRENT RATING: WHEN APPLYING CURRENT ONLY TO SIGNAL TERMINALS:
1.0A (FOR TERMINAL NO. 2, 3 AND 4)
WHEN APPLYING CURRENT ONLY TO POWER TERMINALS:
1.8A (FOR TERMINAL NO. 1 AND 5)
0.5A (FOR TERMINAL NO. 2, 3 AND 4)
- INSULATION RESISTANCE: 100M MINIAT 100V DC
- DIELECTRIC WITHSTANDING VOLTAGE: 100V (r. m. s) AC FOR 1 MINUTE
- CONTACT RESISTANCE: 30m MAX.
- OPERATING TEMPERATURE: -30 TO +80°C



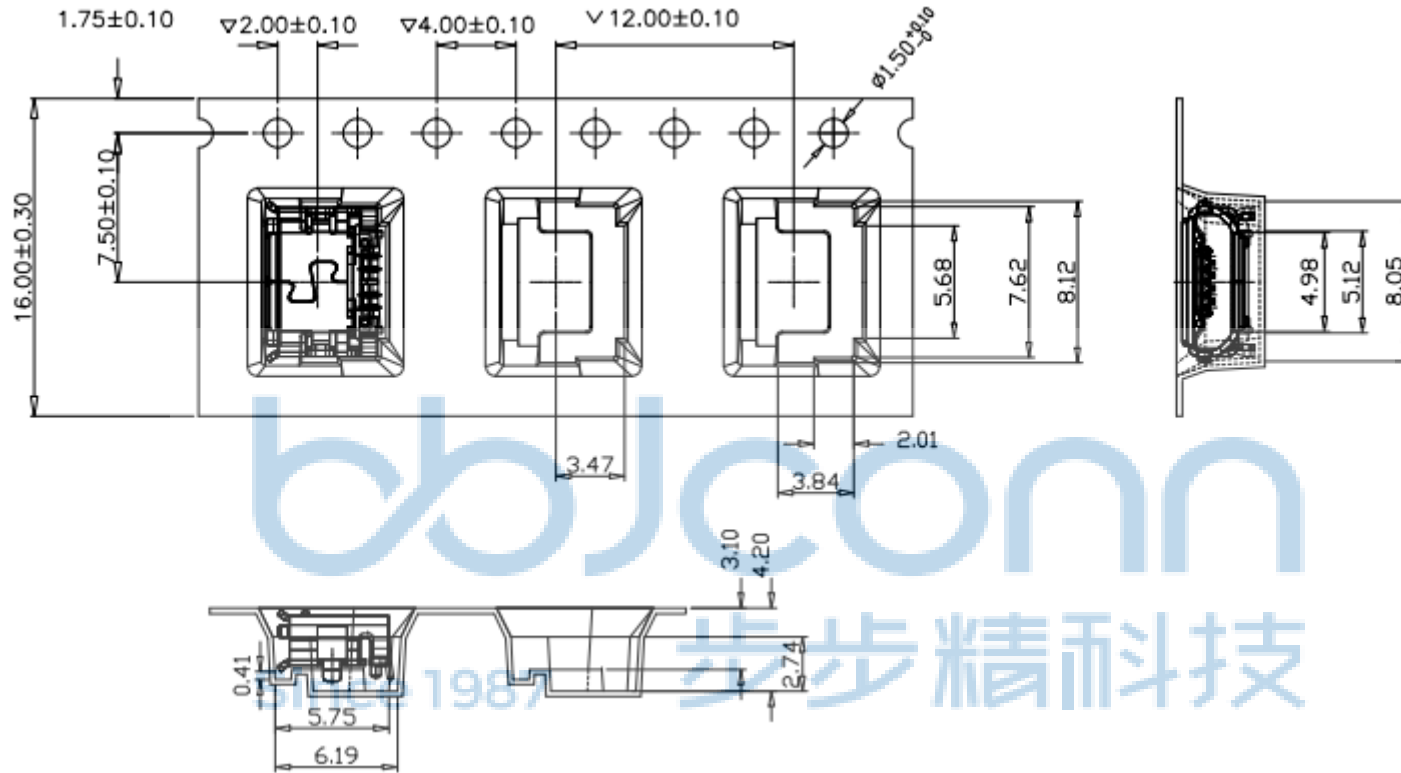
Since 1987

步步精科技



THIS DOCUMENT IS THE SOLE PROPERTY OF BBJconn Technology Co., Ltd. Corporation AND SHOULD NOT BE USED IN WHOLE OR IN PART WITHOUT PRIOR WRITTEN PERMISSION.		深圳市步步精科技有限公司 .X: ±0.38 .X': ±3" .XX: ±0.25 .X'': ±2" .XXX: ±0.13 .XX': ±1"		NAME: MICRO 5P 母座 四脚插 带孔 L=5.85 沉板1.27 端子SMT 平口 雾锡 不锈钢壳	
APPD.	JM_Zheng	23/05'02	PJ. NO.: MC.01.72-11-J006		
CHKD.	LYX	23/05'02	SIZE: A4 DRW NO.:		
PDWG.NO:	0526-1	DR.	SGF	23/05'02	FINISH: SEE NOTES MAT'L.: SEE NOTES SCALE: N/A REV.: A3 UNIT: mm PAGE: 1/1

REV.	ECN NO	CONTENT	DATE	ENGINEER
A0			2023 20/04	



- NOTE:**
1. 10 sprocket hole pitch cumulative tolerance ± 0.20 .
 2. Carrier camber is within 1mm Max. in 250mm.
 3. All dimensions meet EIA-481-D requirements.
 4. Material: Polystyrene (Detail see partnumber).
 5. Thickness: see partnumber.
 6. Recommend hub diameter: _____ mm.
 7. Packing length per 22" reel: _____ Meters; per 13" reel: 12.5 Meters.
 8. Component load per 13" reel: 1500±32 pcs.
 9. Component load per 15" reel: _____ pcs.

封箱方式	顶部、底部“一”字封箱法
标签	贴外箱标签, 并在外箱标签上填序号
圆盘	13"16宽普通, 横着放
纸箱	345*345*355 纸箱; 16R/箱
项目	要求

Q-PAK PARTNUMBER	MATERIAL	COLOR	THICKNESS	ANTISTATIC
CAMIR2A31612C	PET	透明	0.3t	No



THIS DOCUMENT IS THE SOLE PROPERTY OF BBJconn Technology Co.,Ltd. Corporation AND SHOULD NOT BE USED IN WHOLE OR IN PART WITHOUT PRIOR WRITTEN PERMISSION. PDWG.NO: 0526-1

深圳市步步精科技有限公司

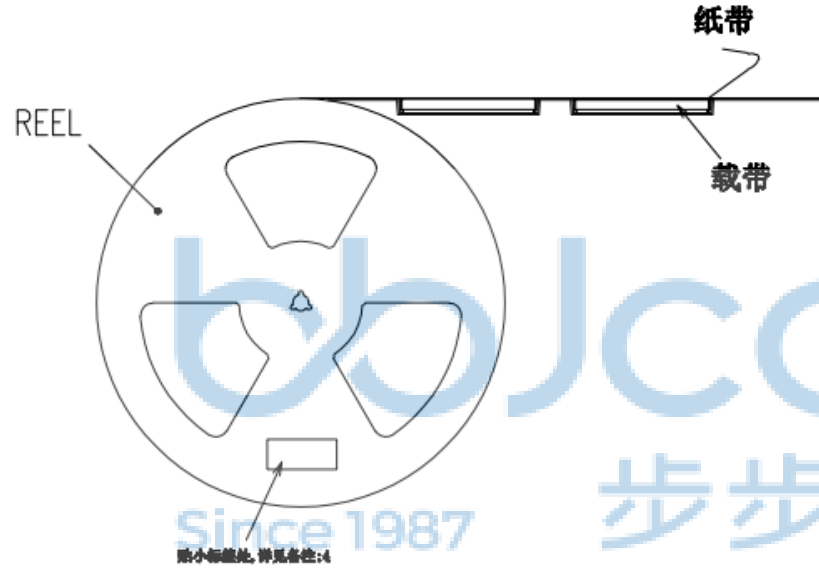
.X: ± 0.38	X': $\pm 3'$	NAME:	MICRO 5P 母座 四脚插 带孔 L=5.85 沉板1.27 端子SMT 平口 雾锡 不锈钢壳
.XX: ± 0.25	.X': $\pm 2'$	APPD.	JM_Zheng 23/05/02
.XXX: ± 0.13	.XX': $\pm 1'$	CHKD.	LYX 23/05/02
DR.	SGF 23/05/02	FINISH:	SEE NOTES

PJ. NO.: MC.01.72-11-J006
SIZE: A4 DRW NO.:
MAT'L.: SEE NOTES
SCALE: N/A REV.: A3 UNIT: mm PAGE: 1/1

REV.	ECN NO	CONTENT	DATE	ENGINEER
A0			2023 20/04	

包装要求:

1. 纸箱规格:345*345*355MM
2. 包装数量:见下表
3. 外箱标签:如下图所示
4. 卷盘标签内容:品名、空格数量、日期;
标签位置:载带靠圆孔一侧外轮上
5. 前空16PCS, 后空16PCS



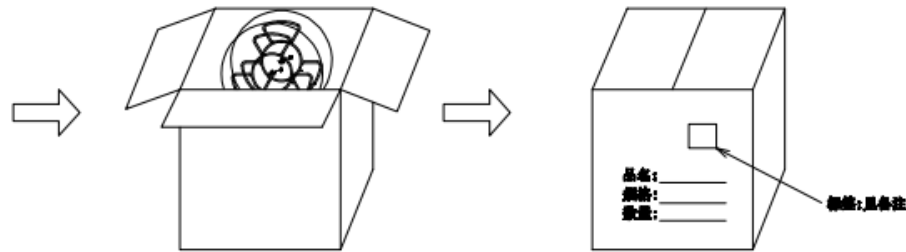
P/O号		
料号		
品名/规格		
订单号		
数量		PCS/卷

卷盘标签

P/O号		
料号		
品名/规格		
订单号		
数量		PCS/箱

外箱标签

24	13"24G 轴 普通	12	详见图面
16	13"16G 轴 普通	16	
载带宽度(mm)	REEL 规格	卷/箱	PCS/卷



THIS DOCUMENT IS THE SOLE PROPERTY OF BBJconn Technology Co.,Ltd. Corporation AND SHOULD NOT BE USED IN WHOLE OR IN PART WITHOUT PRIOR WRITTEN PERMISSION.

PDWG:NO: 0526-1

深圳市步步精科技有限公司

.X: ±0.38	X': ±3'	NAME:	MICRO 5P 母座 四脚插 带孔 L=5.85 沉板1.27 端子SMT 平口 雾锡 不锈钢壳
.XX: ±0.25	.X': ±2'	APPD.	JM_Zheng 23/05'02
.XXX: ±0.13	.XX': ±1'	CHKD.	LYX 23/05'02
DR.	SGF 23/05'02	FINISH:	SEE NOTES
		SCALE:	N/A
		REV.:	A3
		UNIT:	mm
		PAGE:	1/1