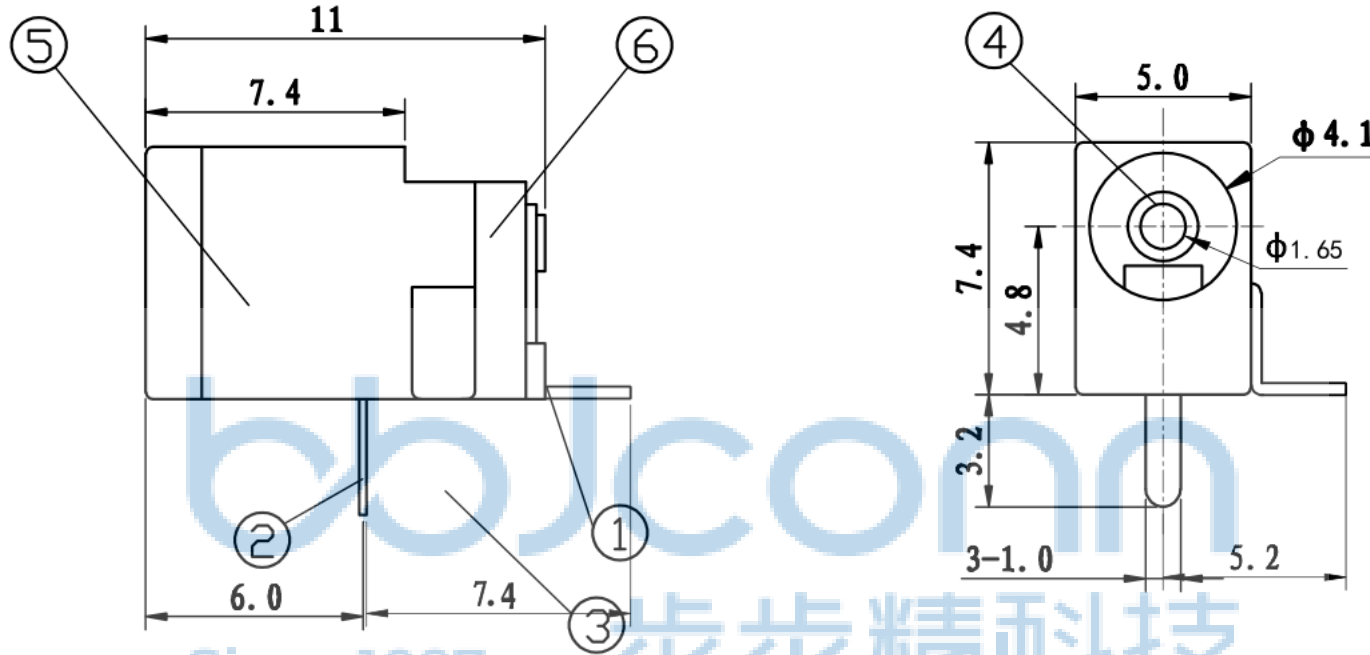


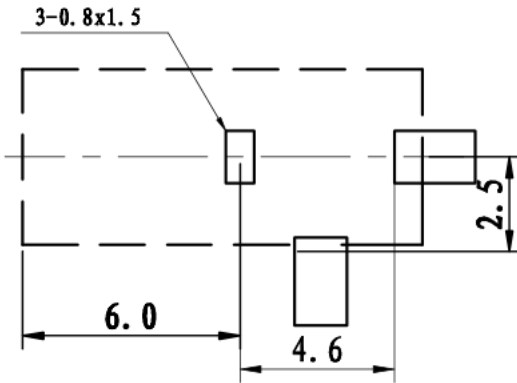
REV.	ECN NO.	CONTENT	DATE	ENGINEER
A0			2023 20/04	



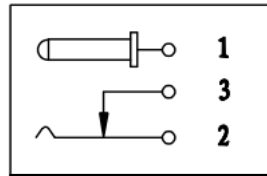
技术要求
 使用条件: -40~55℃
 额定负荷: DC 30V 0.5A
 接触电阻: < 0.03Ω
 绝缘电阻: > 100MΩ DC250V
 耐压: AC 500V(50Hz)/min
 插拔力: 3~20N
 机械寿命: 5000次



线路板安装尺寸示意图



电路结构示意图



TOLERANCE: UNLESS OTHERWISE SPECIFIED
 UNDER 1.5 ± 0.05 | 1.5 ~ 10 ± 0.1 | OVER 10 ± 0.2

序号	零件图号或代号	名称	数量	材料	备注
6		底座	1PCS	PBT	
5		底座	1PCS	PBT	
4		插针	1PCS	H59-1黄铜 φ=1.3	电镀: 锡
3		静触片	1PCS	H62 黄铜 t=0.35	电镀: 银
2		动触片	1PCS	磷铜 t=0.30	电镀: 银
1		插针脚	1PCS	H62 黄铜 t=0.35	电镀: 银

THIS DOCUMENT IS THE SOLE PROPERTY OF BBJconn Technology Co., Ltd. Corporation AND SHOULD NOT BE USED IN WHOLE OR IN PART WITHOUT PRIOR WRITTEN PERMISSION.

PDWG.NO: 0371-1

DR. SGF 23/05'02

APPD. JM_Zheng 23/05'02

CHKD. LYX 23/05'02

NAME: DC-002C 1.65针 全铜

PJ. NO.: DC.04.52-11-J001

SIZE: A4 | DRW NO.:

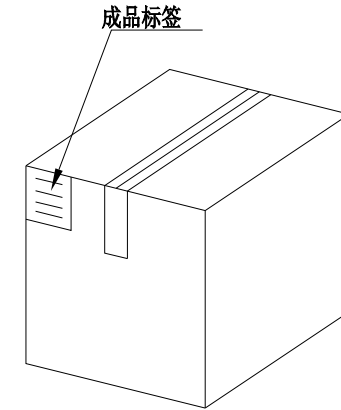
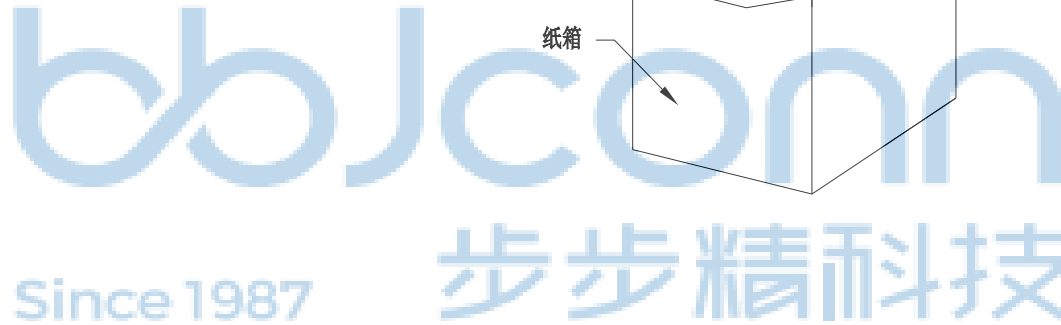
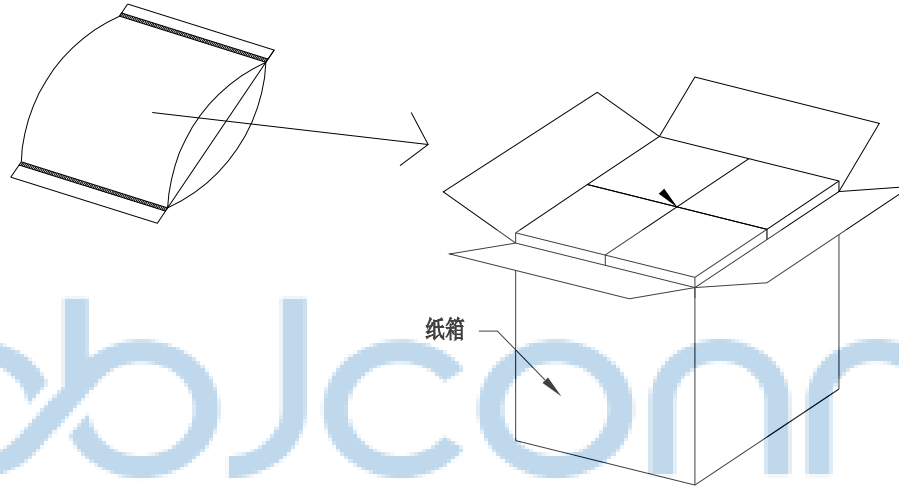
FINISH: SEE NOTES | MAT'L.: SEE NOTES

SCALE: N/A | REV.: A3 | UNIT: mm | PAGE: 1/1

深圳市步步精科技有限公司

REV.	ECN NO	CONTENT	DATE	ENGINEER
A0			2023 20/04	

PE袋规格:***X*** (以实际出货为准)



1. 包装要求:

- 1.1 每PE袋包装 1000PCS;
- 1.2 每1袋放一小纸盒;
- 1.3 每20个小纸盒放一个纸箱, 共计20000PCS
- 1.4 纸箱外贴上标签



THIS DOCUMENT IS THE SOLE PROPERTY OF BBJconn Technology Co.,Ltd. Corporation AND SHOULD NOT BE USED IN WHOLE OR IN PART WITHOUT PRIOR WRITTEN PERMISSION.		深圳市步步精科技有限公司	
.X: ±0.38 .XX: ±0.25 .XXX: ±0.13		X*: ±3" .X*: ±2" .XX*: ±1"	
APPD. JM_Zheng 23/05'02		NAME: DC-002C 1.65针 全铜	
CHKD. LYX 23/05'02		PJ. NO.: DC.04.52-11-J001 SIZE: A4 DRW NO.:	
PDWG.NO: 0371-1		DR. SGF 23/05'02 FINISH: SEE NOTES MAT'L.: SEE NOTES SCALE: N/A REV.: A3 UNIT: mm PAGE: 1/1	