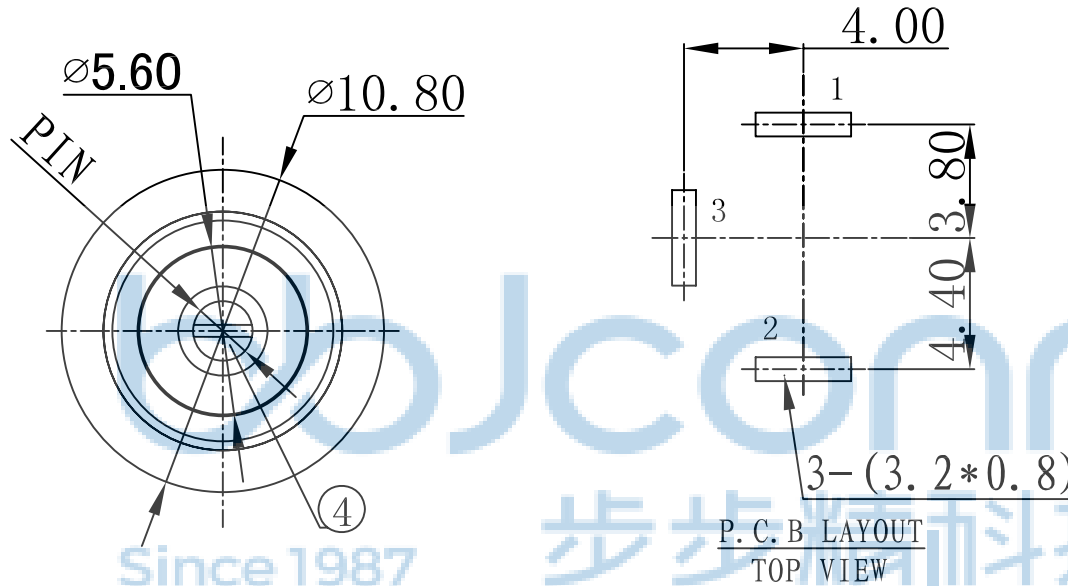
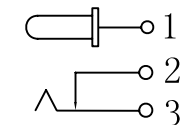


### SPECIFICATION

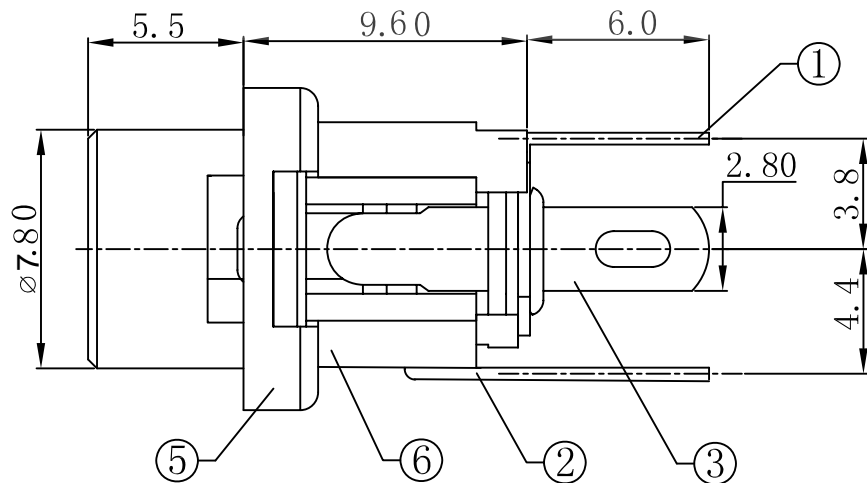
1. Rating : DC 30V 0.5A;
2. Contact resistance:  $\leq 0.03\Omega$ ;
3. Insulation resistance:  $\geq 100M\Omega$  (DC250V);
4. Withstand voltage: 500VAC ;
5. Insertion and extraction force: 3-20N;
6. life test: 5,000 cycles.



### SCHEMATIC



PIN	$\varnothing 2.0$	$\varnothing 2.35$	$\varnothing 2.5$
APPD.			

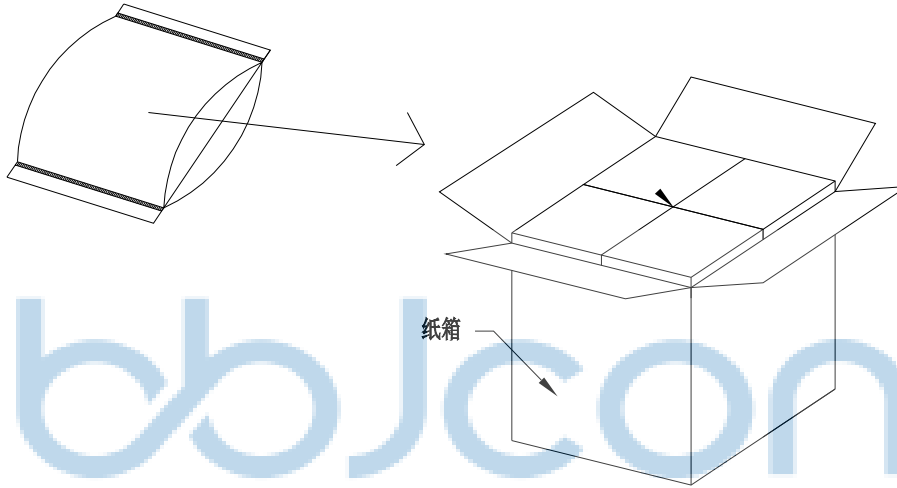


NO	DESCRIPTION	QTY	MATERIAL	PLATING
6	HOUSING	1	PA66	
5	AXIS SUPPORT	1	BRASS	Ni-Plating
4	PIN	1	H59 BRASS	Ni-Plating
3	SPRING	1	BRONZE	Cu-Sn-Plating
2	CURVE PIECE	1	H62 BRASS	Cu-Sn-Plating
1	FLAT PIECE	1	H62 BRASS	Cu-Sn-Plating

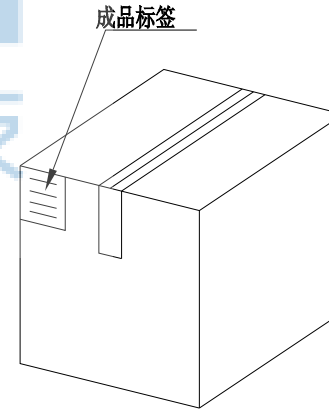
THIS DOCUMENT IS THE SOLE PROPERTY OF BBJconn Technology Co.,Ltd. Corporation AND SHOULD NOT BE USED IN WHOLE OR IN PART WITHOUT PRIOR WRITTEN PERMISSION.		深圳市步步精科技有限公司 NAME: DC插座 DC-025 2.0针 全铜 PJ. NO.: DC.02.62-11-2011 SIZE: A4   DRW NO.: FINISH: SEE NOTES   MAT'L.: SEE NOTES SCALE: N/A   REV.: A3   UNIT: mm   PAGE: 1/1	
APPD.	JM_Zheng 23/05'02	DR.	SGF 23/05'02
CHKD.	LYX 23/05'02	PDWG.NO:	0050-2

REV.	ECN NO	CONTENT	DATE	ENGINEER
A0			2023 20/04	

PE袋规格：260\*185



bbJconn  
Since 1987 步步精科技



1. 包装要求：
  - 1.1 每PE袋包装500pcs；
  - 1.2 每1袋放一小纸盒；
  - 1.3 每20个小纸盒放一个纸箱，共计10000PCS
  - 1.4 纸箱外贴上标签



THIS DOCUMENT IS THE SOLE PROPERTY OF BBJconn Technology Co.,Ltd. Corporation AND SHOULD NOT BE USED IN WHOLE OR IN PART WITHOUT PRIOR WRITTEN PERMISSION.		深圳市步步精科技有限公司 .X: ±0.38    .X': ±3" .XX: ±0.25    .X': ±2" .XXX: ±0.13    .XX': ±1"		NAME: DC插座 DC-025 2.0针 全铜	
APPD.	JM_Zheng	23/05'02	PJ. NO.: DC.02.62-11-2011 SIZE: A4   DRW NO.:		
CHKD.	LYX	23/05'02	FINISH: SEE NOTES   MAT'L.: SEE NOTES		
PDWG.NO:	0050-2	DR.	SGF	23/05'02	SCALE: N/A   REV.: A3   UNIT: mm   PAGE: 1/1