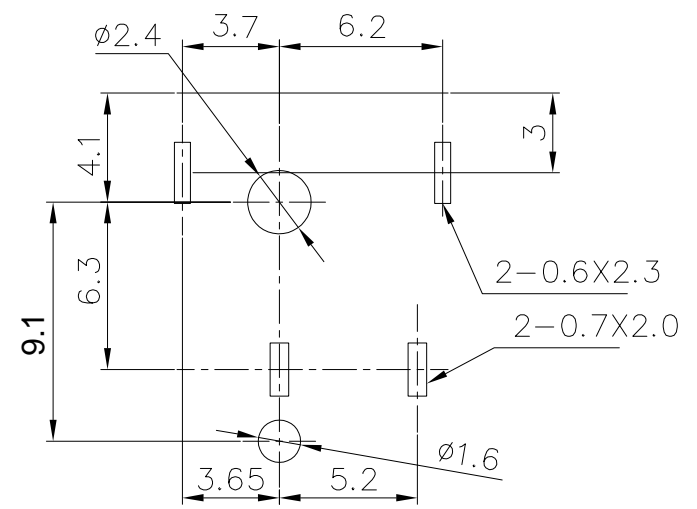
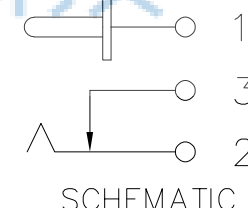
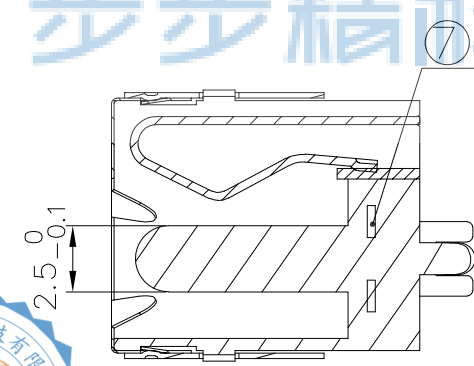
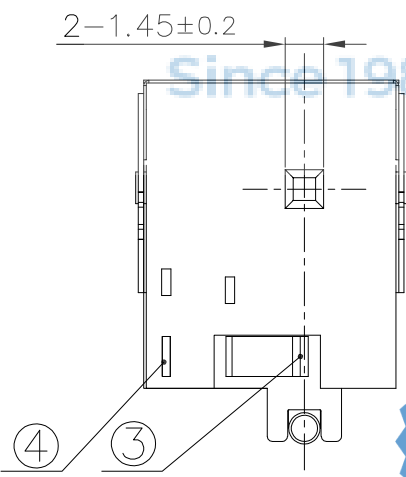
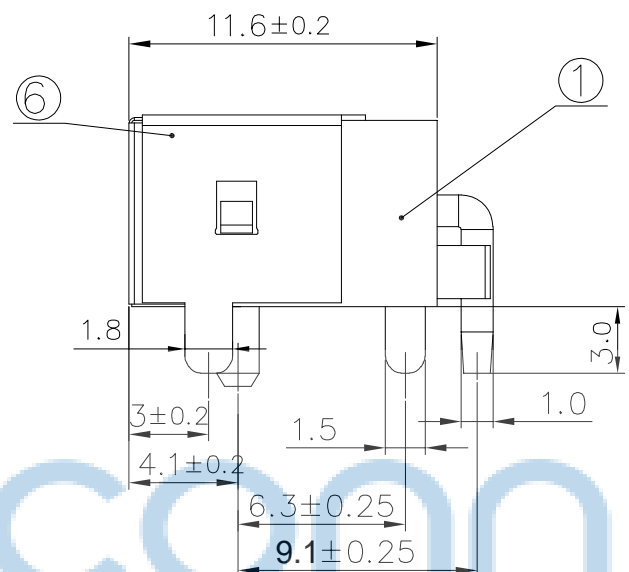
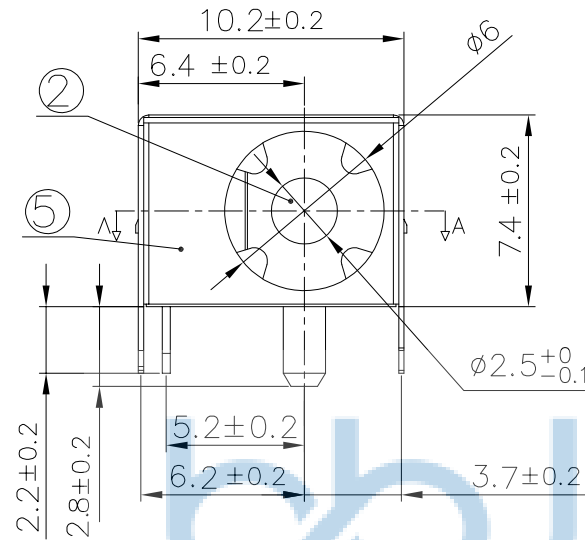


REV.	ECN NO.	CONTENT	DATE	ENGINEER
A0			2023 20/04	



PCB LAYOUT  
TOP VIEW (Tolerance:±0.05)

- SPECIFICATION**
- 1.Rating : DC 20V 5A;
  - 2.Contact resistance:  $\leq 30m\Omega$ ;
  - 3.Insulation resistance:  $\geq 100M\Omega$  (DC500V);
  - 4.Withstand voltage: 500VAC ;
  - 5.Insertion and extraction force: 3-30N;
  - 6.life test: 5,000 cycles;
  - 7.Operation temperature range:-20°C~70°C;
  - 8.Preservative temperature range:-25°C~75°C;



NO.	PART NAME	TER.NO.	QT'Y	MATERIAL	REMARK
7	ERMINAL		1	SUS301	N/A
6	SHIELD-2		1	BRASS	Ni -Plated
5	SHIELD-1		1	SUS301	N/A
4	SPRING TERMINAL	2	1	PHOSPHOR	Sn-Plated
3	TERMINAL	3	1	BRASS	Sn-Plated
2	PIN	1	1	H59	Ni-Plated
1	HOUSING		1	PA9T	Black

THIS DOCUMENT IS THE SOLE PROPERTY OF BBJconn Technology Co.,Ltd. Corporation AND SHOULD NOT BE USED IN WHOLE OR IN PART WITHOUT PRIOR WRITTEN PERMISSION.

PDWG.NO: 0050-2

DR. SGF 23/05'02

APPD. JM\_Zheng 23/05'02

CHKD. LYX 23/05'02

NAME: DC插座 DC-044-02A 2.5针 四脚插 带柱 全铜

PJ. NO.: DC.02.72-11-2008

SIZE: A4 DRW NO.:

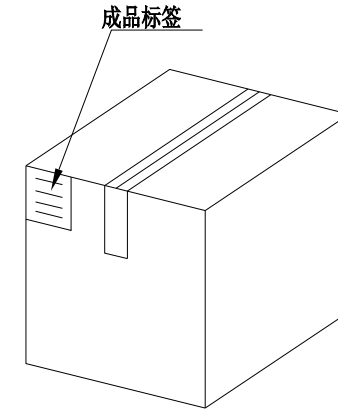
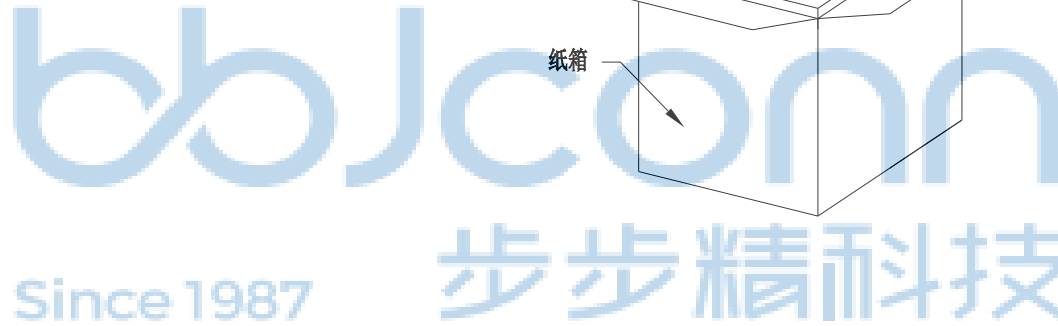
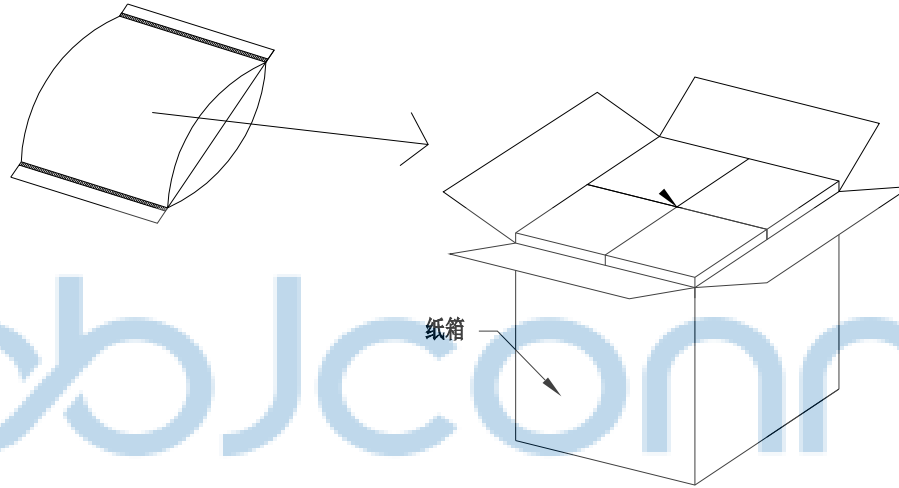
FINISH: SEE NOTES MAT'L.: SEE NOTES

SCALE: N/A REV.: A3 UNIT: mm PAGE: 1/1

**深圳市步步精科技有限公司**

REV.	ECN NO	CONTENT	DATE	ENGINEER
A0			2023 20/04	

PE袋规格:\*\*\*X\*\*\* (以实际出货为准)



1. 包装要求:

- 1.1 每PE袋包装 500 PCS;
- 1.2 每1袋放一小纸盒;
- 1.3 每20个小纸盒放一个纸箱, 共计10000PCS
- 1.4 纸箱外贴上标签



THIS DOCUMENT IS THE SOLE PROPERTY OF BBJconn Technology Co.,Ltd. Corporation AND SHOULD NOT BE USED IN WHOLE OR IN PART WITHOUT PRIOR WRITTEN PERMISSION.		深圳市步步精科技有限公司 .X: ±0.38    X*: ±3" .XX: ±0.25    .X*: ±2" .XXX: ±0.13    .XX*: ±1"		NAME: DC插座 DC-044-02A 2.5针 四脚插 带柱 全铜	
APPD.	JM_Zheng	23/05'02	PJ. NO.: DC.02.72-11-2008		
CHKD.	LYX	23/05'02	SIZE: A4   DRW NO.:		
PDWG.NO:	0050-2	DR.	SGF	23/05'02	FINISH: SEE NOTES    MAT'L.: SEE NOTES SCALE: N/A    REV.: A3    UNIT: mm    PAGE: 1/1