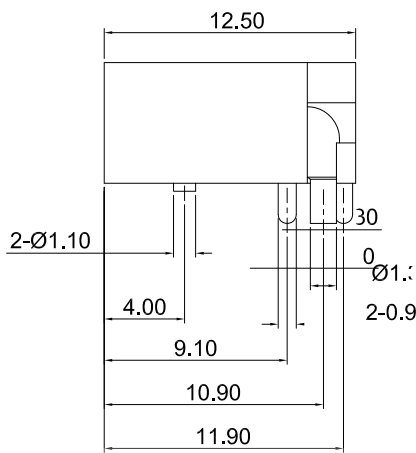
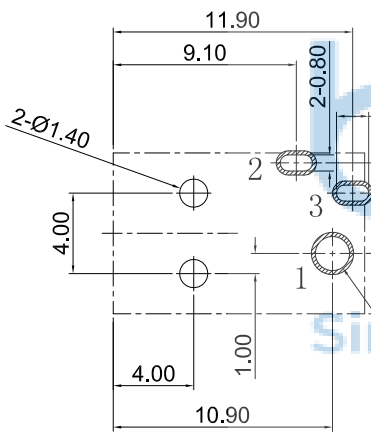


REV.	ECN NO.	CONTENT	DATE	ENGINEER
A0			2023 20/04	

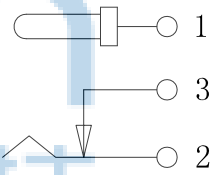
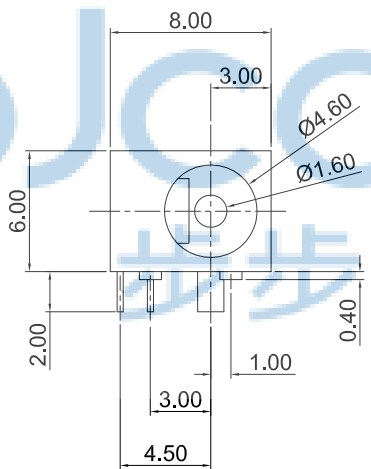


规格:

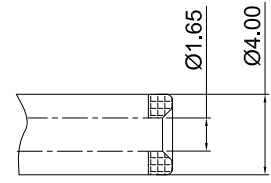
1. 额定值: DC30V 1A
2. 接触电阻: $\leq 30m\Omega$
3. 绝缘电阻: $\geq 100M\Omega$
4. 耐电压: 500VAC
5. 插拔力: 3N~30N
6. 使用寿命: 5000次
7. 使用温度: $-20^{\circ}C \sim +80^{\circ}C$



P.C.B 设计参考尺寸



电路示意图



推荐插头尺寸

4	主体	PA9T	1	黑色
3	静片	黄铜 T=0.3mm	1	镀铜锡
2	弹片	磷铜 T=0.3mm	1	镀铜锡
1	PIN针	黄铜	1	镀铜锡
序号	名称	材料	数量	颜色/电镀



THIS DOCUMENT IS THE SOLE PROPERTY OF BBJconn Technology Co.,Ltd. Corporation AND SHOULD NOT BE USED IN WHOLE OR IN PART WITHOUT PRIOR WRITTEN PERMISSION.

PDWG.NO: 0050-2

APPD. JM_Zheng 23/05'02

CHKD. LYX 23/05'02

DR. SGF 23/05'02

NAME: DC-023-1.6针 全铜 直脚

PJ. NO.: DC.02.A2-11-2001

SIZE: A4 DRW NO.:

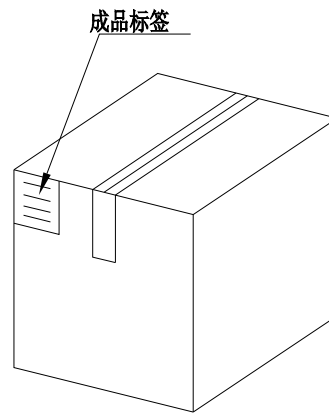
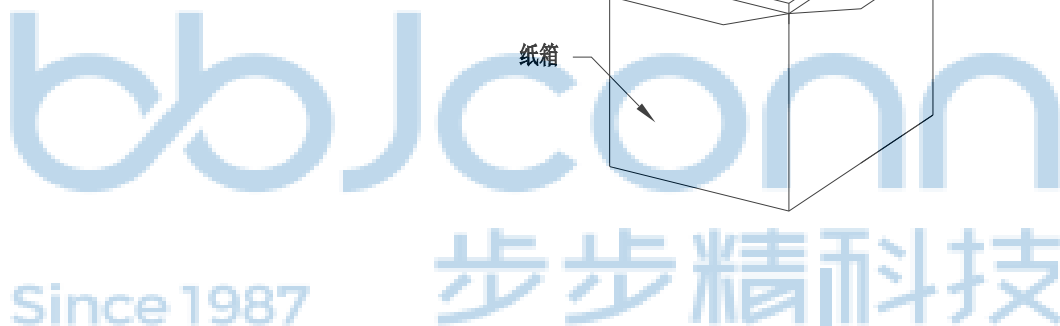
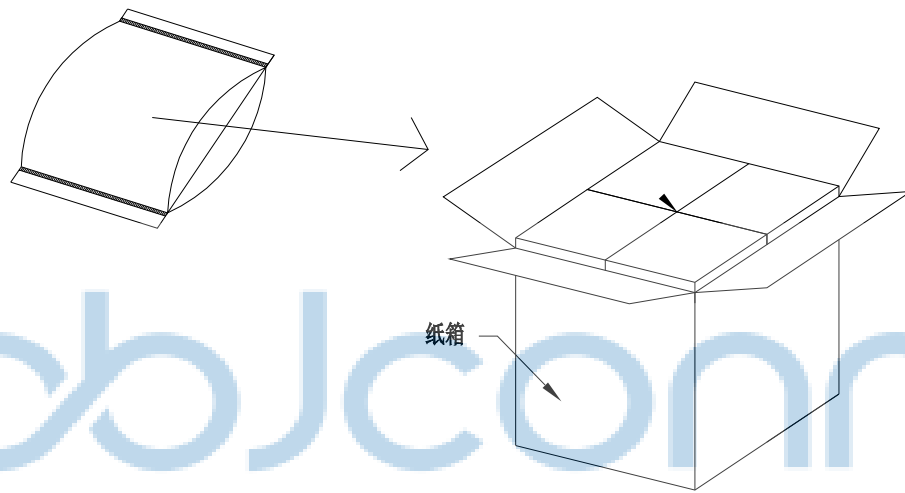
FINISH: SEE NOTES MAT'L.: SEE NOTES

SCALE: N/A REV.: A3 UNIT: mm PAGE: 1/1

深圳市步步精科技有限公司

REV.	ECN NO	CONTENT	DATE	ENGINEER
A0			2023 20/04	

PE袋规格:***X*** (以实际出货为准)



1. 包装要求:

- 1.1 每PE袋包装 500 pcs;
- 1.2 每1袋放一小纸盒;
- 1.3 每20个小纸盒放一个纸箱, 共计10000PCS
- 1.4 纸箱外贴上标签



THIS DOCUMENT IS THE SOLE PROPERTY OF BBJconn Technology Co.,Ltd. Corporation AND SHOULD NOT BE USED IN WHOLE OR IN PART WITHOUT PRIOR WRITTEN PERMISSION.		深圳市步步精科技有限公司 .X: ±0.38 X": ±3" .XX: ±0.25 .X": ±2" .XXX: ±0.13 .XX": ±1"		NAME: DC-023-1.6针 全铜 直脚 PJ. NO.: DC.02.A2-11-2001 SIZE: A4 DRW NO.: FINISH: SEE NOTES MAT'L.: SEE NOTES SCALE: N/A REV.: A3 UNIT: mm PAGE: 1/1	
APPD.	JM_Zheng	23/05'02	CHKD.	LYX	23/05'02
PDWG.NO:	0050-2	DR.	SGF	23/05'02	