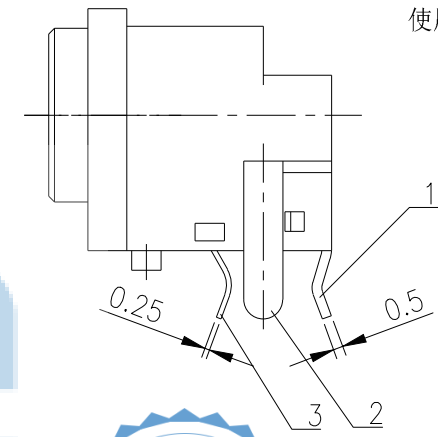
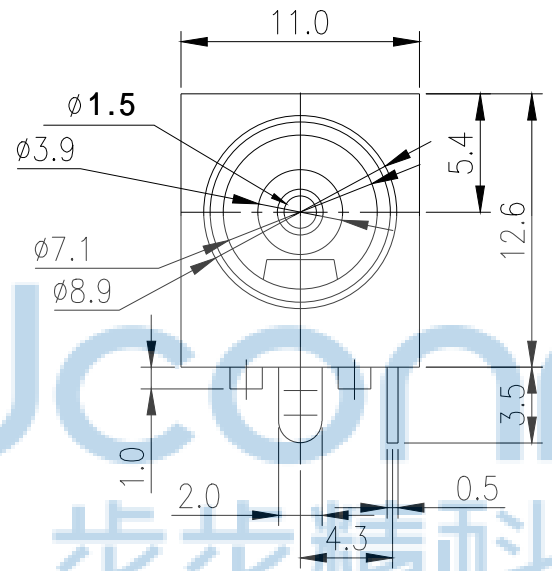
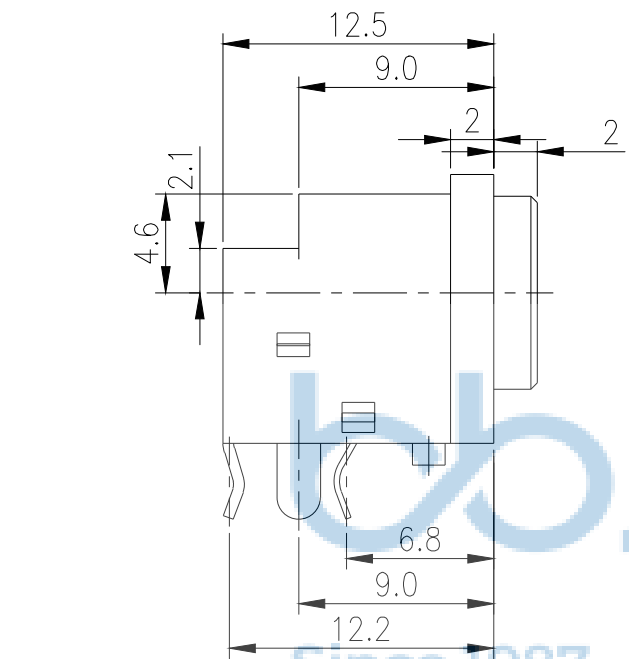


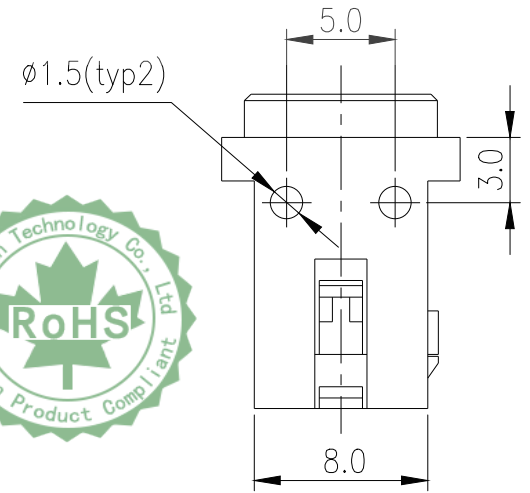
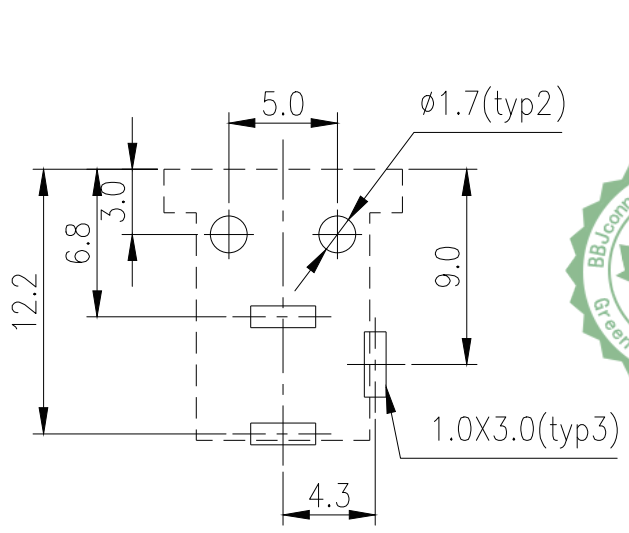
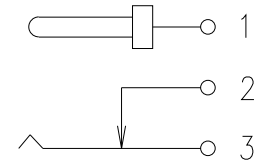
REV.	ECN NO	CONTENT	DATE	ENGINEER
A0			2023 20/04	

主要技术性能

额定电负荷	DC 30V\0.5A
接触电阻	≤0.03Ω
绝缘电阻	≥100MΩ
耐压	AC500V(50Hz)/min
插拔力	3-20N
使用温度范围	-30-70℃
使用寿命	5000次



SCHEMATIC



6	DC-038 -01	弯针	1	黄铜	镀银	
5	DC-038 -02	盖脚	1	黄铜	镀银	
4	DC-038 -03	弹片	1	磷铜	镀银	
3	DC-038 -04	基座	1	PBT		
2						
1						
序号	产品编号	产品名称	数量	材料	规格	电镀

THIS DOCUMENT IS THE SOLE PROPERTY OF BBJconn Technology Co.,Ltd. Corporation AND SHOULD NOT BE USED IN WHOLE OR IN PART WITHOUT PRIOR WRITTEN PERMISSION.

PDWG.NO: 0050-2

APPD. JM_Zheng 23/05'02

CHKD. LYX 23/05'02

DR. SGF 23/05'02

深圳市步步精科技有限公司

NAME: DC-038 1.5针 全铜 带柱

PJ. NO.: DC.02.E2-11-2001

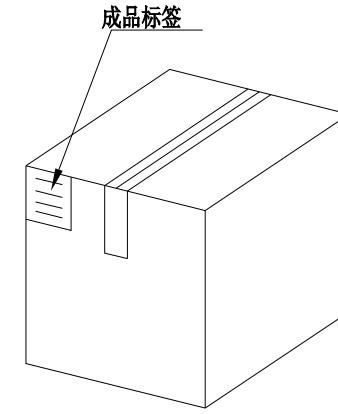
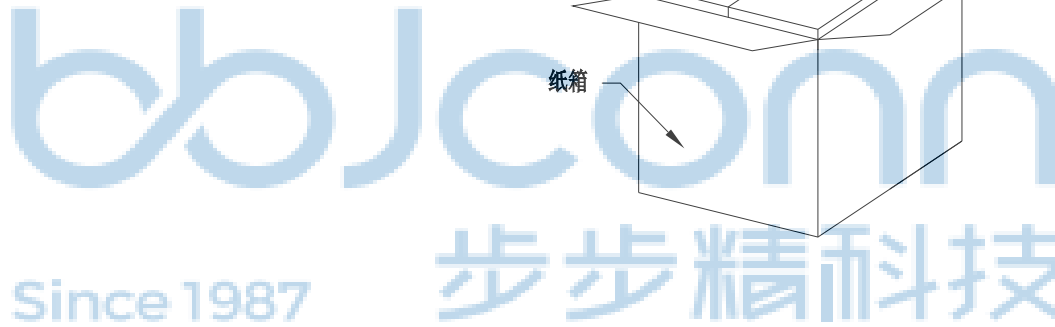
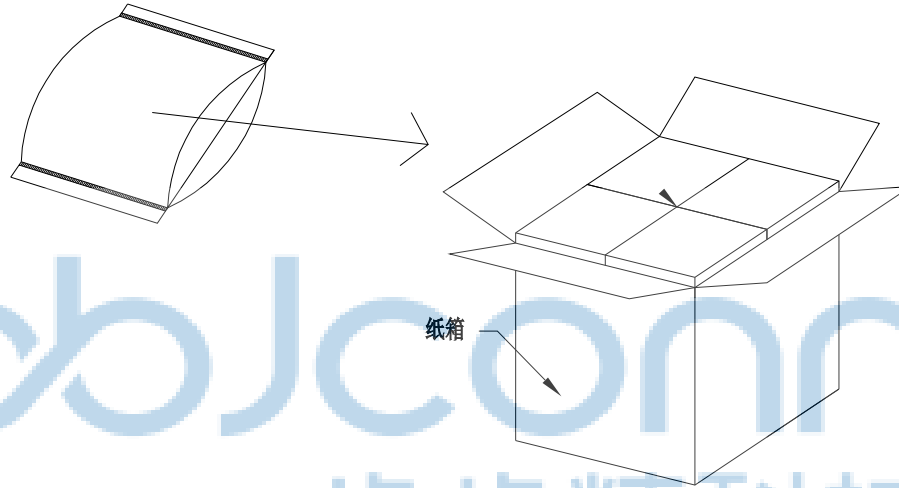
SIZE: A4 DRW NO.:

FINISH: SEE NOTES MAT'L.: SEE NOTES

SCALE: N/A REV.: A3 UNIT: mm PAGE: 1/1

REV.	ECN NO	CONTENT	DATE	ENGINEER
A0			2023 20/04	

PE袋规格:***X*** (以实际出货为准)



1. 包装要求:
- 1.1 每PE袋包装 500 PCS;
 - 1.2 每1袋放一小纸盒;
 - 1.3 每20个小纸盒放一个纸箱, 共计10000PCS
 - 1.4 纸箱外贴上标签



THIS DOCUMENT IS THE SOLE PROPERTY OF BBJconn Technology Co.,Ltd. Corporation AND SHOULD NOT BE USED IN WHOLE OR IN PART WITHOUT PRIOR WRITTEN PERMISSION.		深圳市步步精科技有限公司 .X: ±0.38 X': ±3" .XX: ±0.25 .X": ±2" .XXX: ±0.13 .XX": ±1"		NAME: DC-038 1.5针 全铜 带柱	
APPD.	JM_Zheng	23/05'02		PJ. NO.: DC.02.E2-11-2001	
CHKD.	LYX	23/05'02		SIZE: A4 DRW NO.:	
PDWG.NO:	0050-2	DR.	SGF	23/05'02	FINISH: SEE NOTES MAT'L.: SEE NOTES SCALE: N/A REV.: A3 UNIT: mm PAGE: 1/1