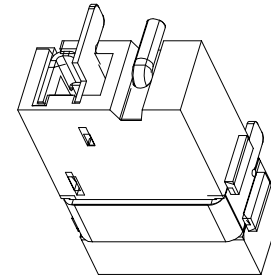
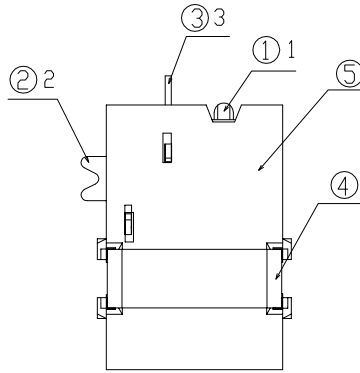
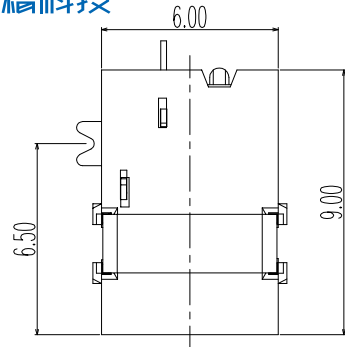
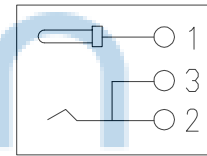
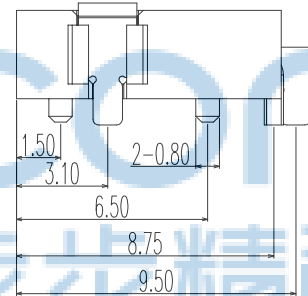
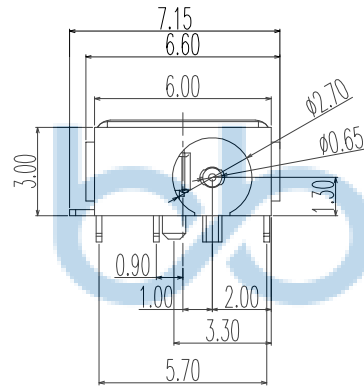


REV.	ECN NO.	CONTENT	DATE	ENGINEER
AO			2023 20/04	



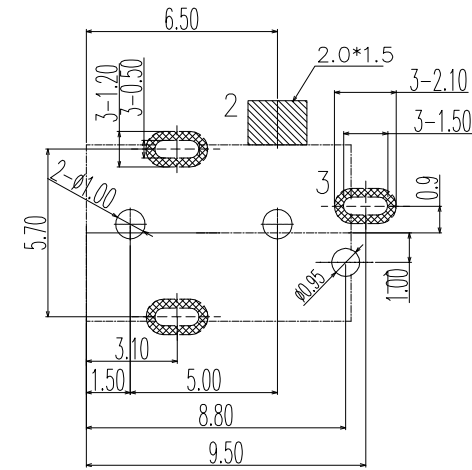
NOTES:

- CONTACT CURRENT RATING: 1A.
- CONTACT RESISTANCE: 50 mΩ MAX.;
- INSULATION RESISTANCE: 100MΩ MIN.;
- DIELECTRIC WITHSTANDING: 500V AC MIN.;
- DURABILITY: 5,000 CYCLES MIN.;
- CONNECTOR MATING FORCES: 29.4N (3.00KgF) MAX.;
- CONNECTOR UNMATING FORCES: 2.94N(0.30KgF) MIN.;

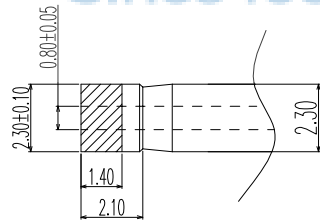


SCHEMATIC

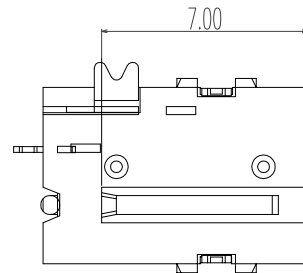
3D VIEW



P.C.B LAYOUT
TOP VIEW



(DC PLUG)



⑤	HOUSING	1	HIGHT TEMPERATURE PLASTIC		Black
④	CONTACT D	1	BRASS t=0.30	Ag-Plated	
③	CONTACT C	1	BRASS t=0.20	Au-Plated	
②	CONTACT B	1	PHOSPHOR BRONZE t=0.20	Au-Plated	
①	CONTACT A	1	BRASS $\phi 0.65$	Ag-Plated	
ITEM	PART NAME	Q'TY	MATERIAL	DESCRIPTION	REMARK

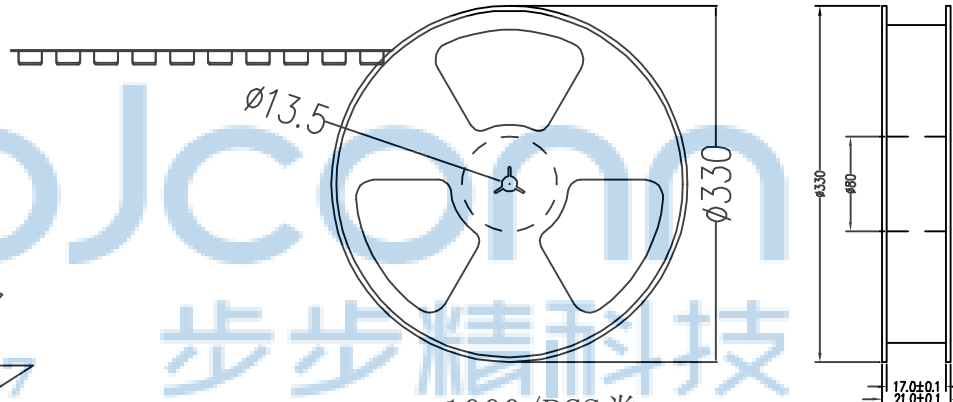
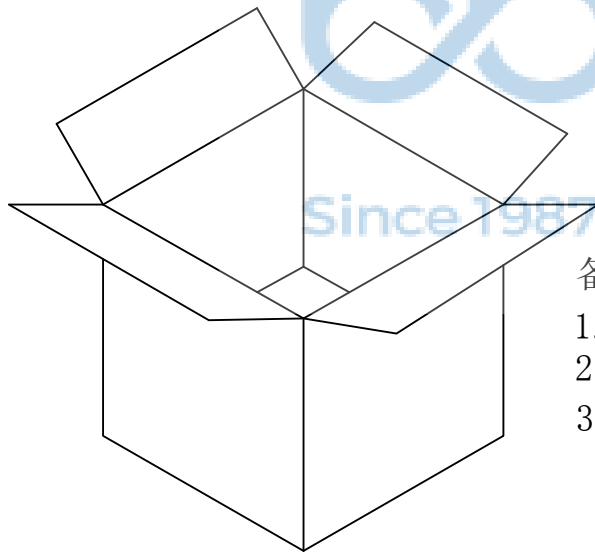
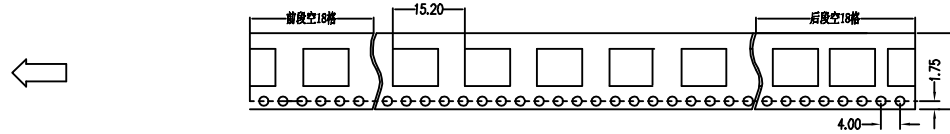
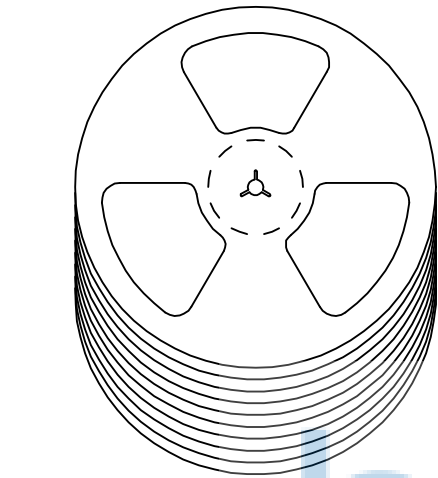


THIS DOCUMENT IS THE SOLE PROPERTY OF **BBJconn Technology Co.,Ltd.** 深圳市步步精科技有限公司

Corporation AND SHOULD NOT BE USED IN WHOLE OR IN PART WITHOUT PRIOR WRITTEN PERMISSION.

PDWG.NO: 0076-1

APPD.	JM_Zheng	23/05'02	NAME:	DC座 0.65针 全铜 三脚插一脚贴 (DCJR0003-F04G1BR-A)
CHKD.	LYX	23/05'02	PJ. NO.:	DC.04.12-12-B001
DR.	SGF	23/05'02	SIZE:	A4 DRW NO.:
			FINISH:	SEE NOTES
			MAT'L.:	SEE NOTES
			SCALE:	N/A
			REV.:	A3
			UNIT:	mm
			PAGE:	1/1



备注:

1. 包装数量: 1000/PCS/卷, 10卷/箱或15卷/箱。
2. 包装袋长度: 每卷前后各空10-20个空格, 中间包装。
3. 材质:
载体: 聚丙烯 (PS), 阻抗 $10^{6-9} \Omega$
上带: 聚乙烯 (PET), 阻抗 $10^{6-11} \Omega$
卷盘: 聚苯乙烯。

纸箱规格: 345*345*23MM

纸箱规格: 345*345*35MM

THIS DOCUMENT IS THE SOLE PROPERTY OF BBJconn Technology Co.,Ltd. Corporation AND SHOULD NOT BE USED IN WHOLE OR IN PART WITHOUT PRIOR WRITTEN PERMISSION.		深圳市步步精科技有限公司 .X: ±0.38 .X': ±3" .XX: ±0.25 .X': ±2" .XXX: ±0.13 .XX': ±1"		NAME: DC座 0.65针 全铜 三脚插一脚贴 (DCJR0003-F04G1BR-A)	
APPD.	JM_Zheng	23/05'02	PJ. NO.: DC.04.12-12-B001 SIZE: A4 DRW NO.:		
CHKD.	LYX	23/05'02	FINISH: SEE NOTES		MAT'L.: SEE NOTES
PDWG.NO:	0076-1	DR.	SGF	23/05'02	SCALE: N/A REV.: A3 UNIT: mm PAGE: 1/1