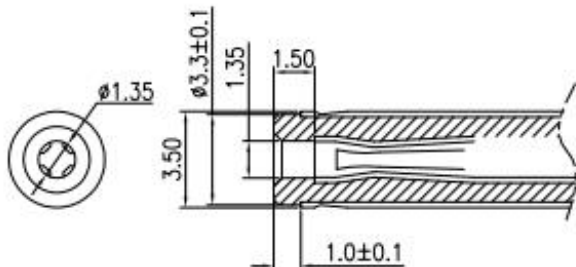
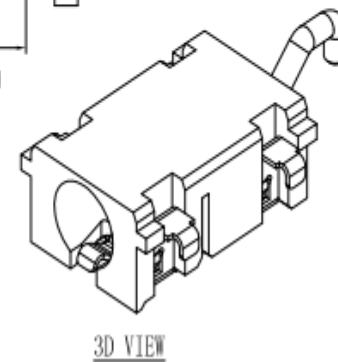
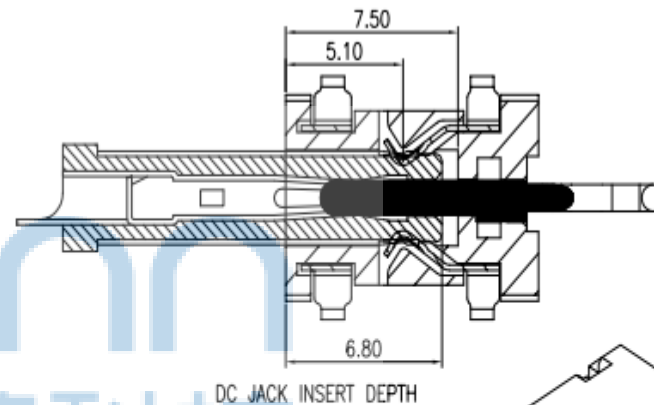
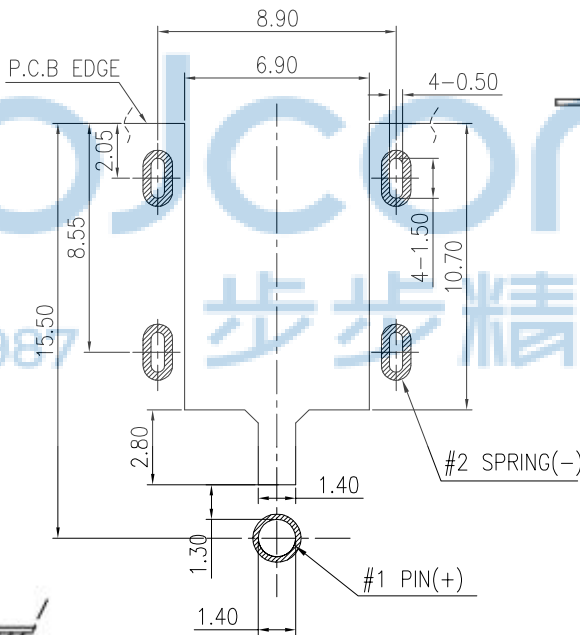
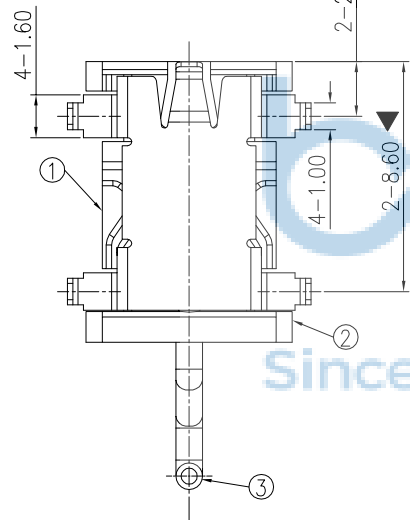
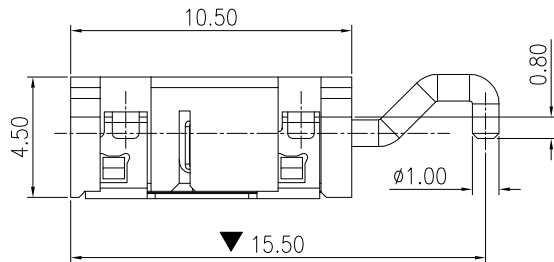
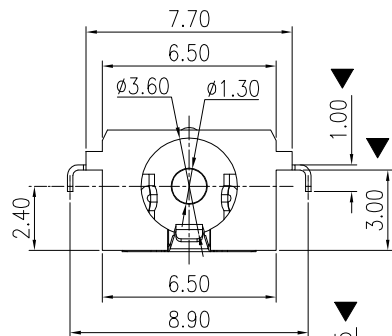
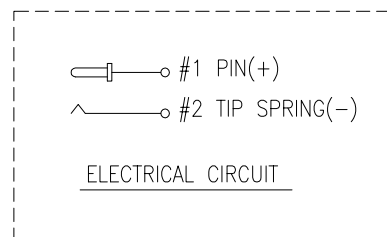


- SPECIFICATIONS:
- ELECTRICAL CHARACTERISTICS:
 - RATING: 24V 3A
 - CONTACT RESISTANCE: 50mΩ MAX.(INITIAL)
 - DIELECTRIC WITHSTANDING VOLTAGE: 500V AC FOR ONE MINUTE
 - INSULATION RESISTANCE: 100MΩ MIN. MEASURED BY 500V DC
 - MECHANICAL CHARACTERISTICS:
 - INSERTION FORCE : 0.3~3.0 KGF
 - WITHDRAWAL FORCE : 0.3~3.0 KGF
 - LIFE TEST: 5,000 CYCLES MIN.
 - FOR REFLOW SOLDERING LEAD-FREE PROCESS.
 - ▼ REPRESENT CRITICAL DIMENSIONS.
 - ▽ CPK CONTROLLED DIMENSIONS.



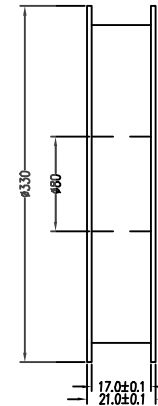
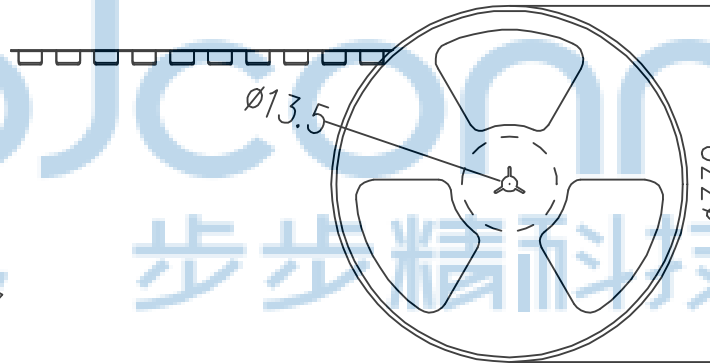
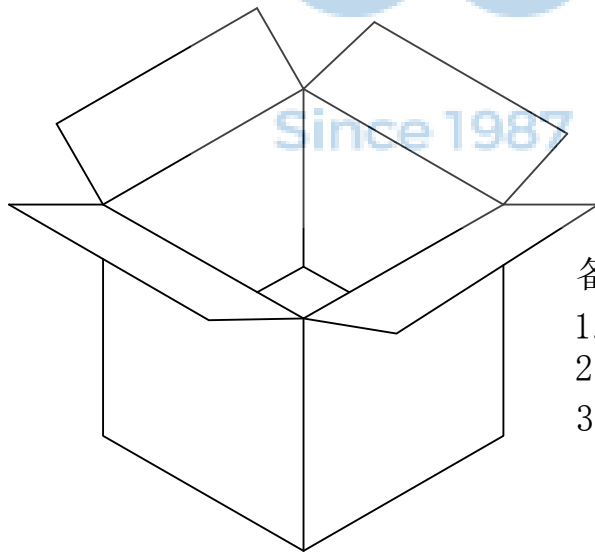
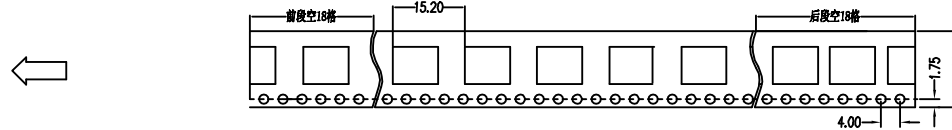
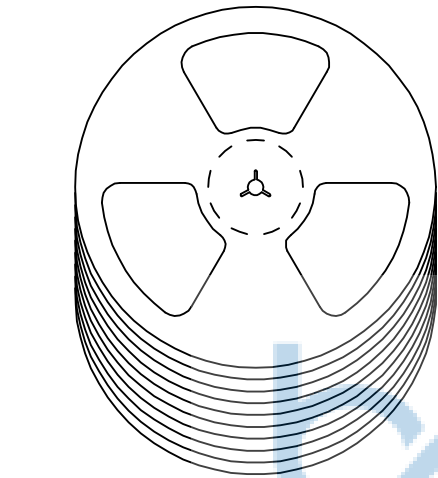
MATE PLUG

RECOMMENDED PCB LAYOUT
TOP VIEW (TOLERANCE:±0.05)



③	CENTER PIN	1	BRASS ϕ 1.30	Au
②	TERMINAL	1	PHOSPHOR BRONZE 0.2t	Au
①	HOUSING	1	HIGHT TEMPERATURE PLASTIC	Black
NO.	DESCRIPTION	QTY	MATERIAL	PLATING & COLOR

THIS DOCUMENT IS THE SOLE PROPERTY OF BBJconn Technology Co.,Ltd. Corporation AND SHOULD NOT BE USED IN WHOLE OR IN PART WITHOUT PRIOR WRITTEN PERMISSION.		深圳市步步精科技有限公司	
APPD.	JM_Zheng	23/05'02	NAME: DC座 1.30寸 全铜 沉板3.0 四脚插 (DCJR0004-F02G1BR-A)
CHKD.	LYX	23/05'02	PJ. NO.: DC.03.42-12-B002
PDWG.NO:	0076-1	DR.	SGF 23/05'02
FINISH: SEE NOTES		MAT'L.: SEE NOTES	
SCALE: N/A	REV.: A3	UNIT: mm	PAGE: 1/1



备注:

1. 包装数量: 900/PCS/卷, 10卷/箱或15卷/箱。
2. 包装袋长度: 每卷前后各空10-20个空格, 中间包装。
3. 材质:
载体: 聚丙烯 (PS), 阻抗 $10^{6-9} \Omega$
上带: 聚乙烯 (PET), 阻抗 $10^{6-11} \Omega$
卷盘: 聚苯乙烯。

纸箱规格: 345*345*23MM

纸箱规格: 345*345*35MM

THIS DOCUMENT IS THE SOLE PROPERTY OF BBJconn Technology Co.,Ltd. Corporation AND SHOULD NOT BE USED IN WHOLE OR IN PART WITHOUT PRIOR WRITTEN PERMISSION.		深圳市步步精科技有限公司 .X: ±0.38 .X': ±3" .XX: ±0.25 .X': ±2" .XXX: ±0.13 .XX': ±1"		NAME: DC座 1.30针 全铜 沉板3.0 四脚插 (DCJR0004-F02G1BR-A)				
APPD.	JM_Zheng	23/05'02	PJ. NO.: DC.03.42-12-B002		SIZE: A4	DRW NO.:		
CHKD.	LYX	23/05'02	FINISH: SEE NOTES		MAT'L.: SEE NOTES			
PDWG.NO:	0076-1	DR.	SGF	23/05'02	SCALE: N/A	REV.: A3	UNIT: mm	PAGE: 1/1