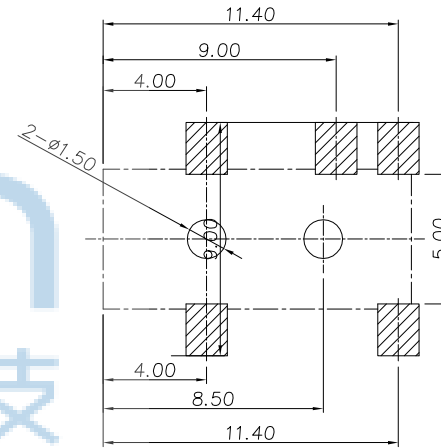
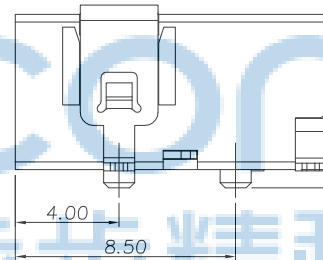
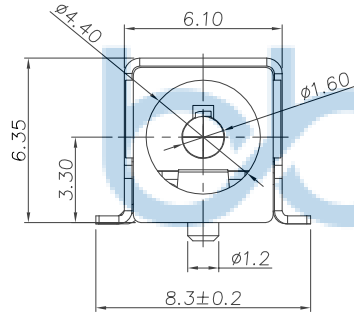
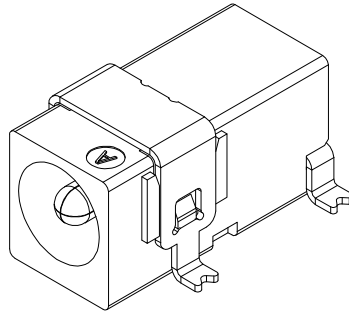
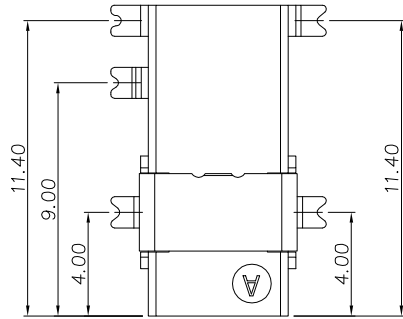


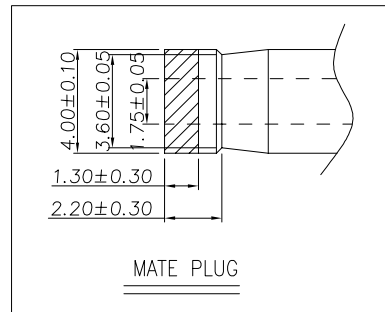
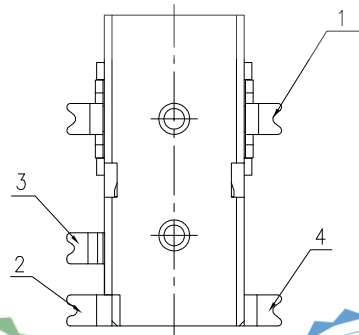
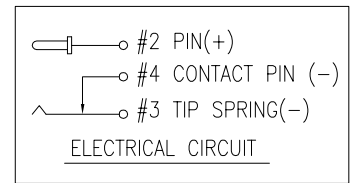
REV.	ECN NO.	CONTENT	DATE	ENGINEER
AO			2023 20/04	

SPECIFICATIONS:

- ELECTRICAL CHARACTERISTICS:
 - RATING: 24V 1A
 - CONTACT RESISTANCE: 50mΩ MAX.(INITIAL)
 - DIELECTRIC WITHSTANDING VOLTAGE: 500V AC FOR ONE MINUTE
 - INSULATION RESISTANCE: 100M Ω MIN. MEASURED BY 500V DC
- MECHANICAL CHARACTERISTICS:
 - INSERTION FORCE : 0.3~3.0 KGF
 - WITHDRAWAL FORCE : 0.3~3.0 KGF
- LIFE TEST: 5,000 CYCLES MIN.
- FOR REFLOW SOLDERING LEAD-FREE PROCESS.



RECOMMENDED PCB LAYOUT
TOP VIEW (TOLERANCE:±0.05)



MATE PLUG

5	HOUSING	1	HIGHT TEMPERATURE PLASTIC
4	CONTACT PIN	1	BRASS; THE BOTTOM OF THE NICKEL; THE WHOLE MATTE TIN PLATING.
3	TIP SPRING	1	PHORPHOS BRONZE; THE BOTTOM OF THE NICKEL;THE WHOLE MATTE TIN PLATING.
2	CONCTOR PIN	1	BRASS; THE BOTTOM OF THE NICKEL; THE WHOLE SILVER PLATING.
1	POSITIONING PIN	1	BRASS; THE BOTTOM OF THE NICKEL; THE WHOLE TIN PLATING.
ITEM	NAME	Q'TY	DESCRIPTION

THIS DOCUMENT IS THE SOLE PROPERTY OF BBJconn Technology Co.,Ltd.
Corporation AND SHOULD NOT BE USED IN WHOLE OR IN PART WITHOUT PRIOR WRITTEN PERMISSION.

PDWG.NO: 0076-1

DR. SGF 23/05'02

APPD. JM_Zheng 23/05'02

CHKD. LYX 23/05'02

NAME: DC座 1.60针 全铜 板上型 五脚贴 (DCJR0027-F04A5BR-A)

PJ. NO.: DC.01.A2-12-B001

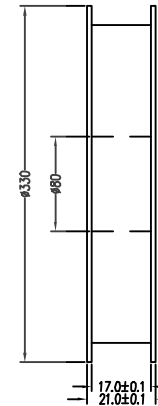
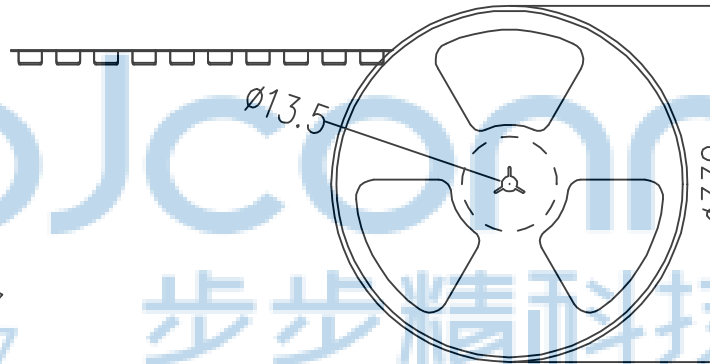
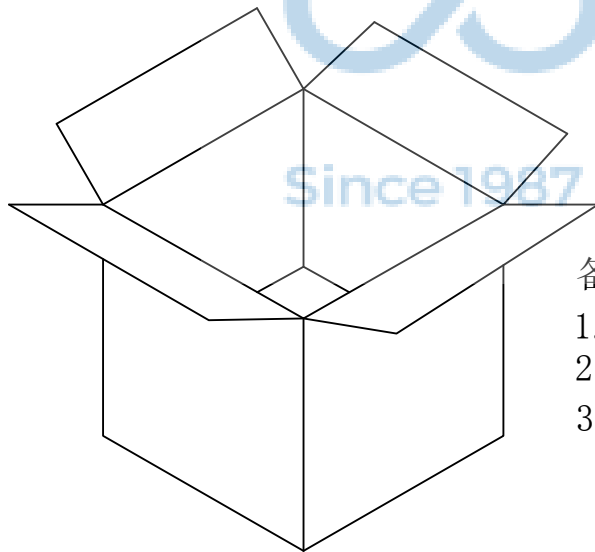
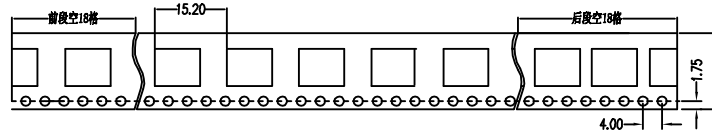
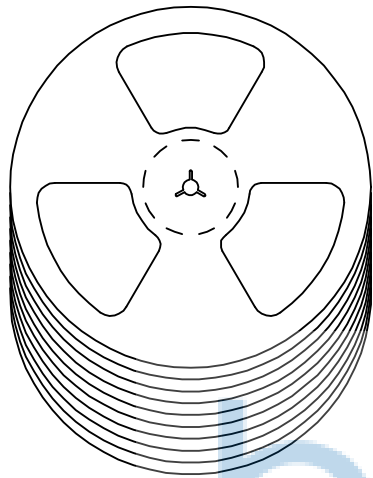
SIZE: A4 | DRW NO.:

FINISH: SEE NOTES | MAT'L.: SEE NOTES

SCALE: N/A | REV.: A3 | UNIT: mm | PAGE: 1/1



REV.	ECN NO.	CONTENT	DATE	ENGINEER
AO			2023 20/04	



1000/PCS卷

备注:

1. 包装数量: 1000/PCS/卷, 10卷/箱或15卷/箱。
2. 包装袋长度: 每卷前后各空10-20个空格, 中间包装。
3. 材质:
载体: 聚丙烯 (PS), 阻抗 $10^{6-9} \Omega$
上带: 聚乙烯 (PET), 阻抗 $10^{6-11} \Omega$
卷盘: 聚苯乙烯。

纸箱规格: 345*345*23MM

纸箱规格: 345*345*35MM

THIS DOCUMENT IS THE SOLE PROPERTY OF BBJconn Technology Co.,Ltd. Corporation AND SHOULD NOT BE USED IN WHOLE OR IN PART WITHOUT PRIOR WRITTEN PERMISSION.		PDWG.NO: 0076-1		DR. SGF 23/05'02		深圳市步步精科技有限公司 .X: ±0.38 .X': ±3" .XX: ±0.25 .X": ±2" .XXX: ±0.13 .XX': ±1"		NAME: DC座 1.60针 全铜 板上型 五脚贴 (DCJR0027-F04A5BR-A) PJ. NO.: DC.01.A2-12-B001 SIZE: A4 DRW NO.: FINISH: SEE NOTES MAT'L.: SEE NOTES SCALE: N/A REV.: A3 UNIT: mm PAGE: 1/1	
--	--	-----------------	--	------------------	--	--	--	--	--