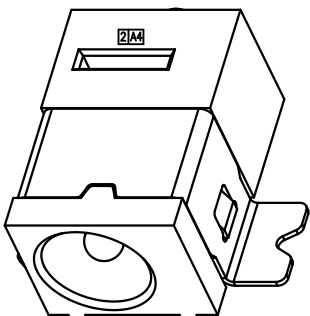
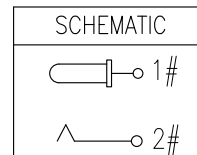
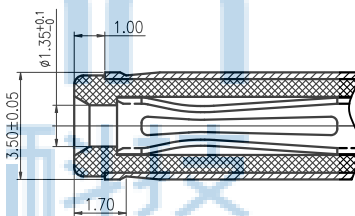
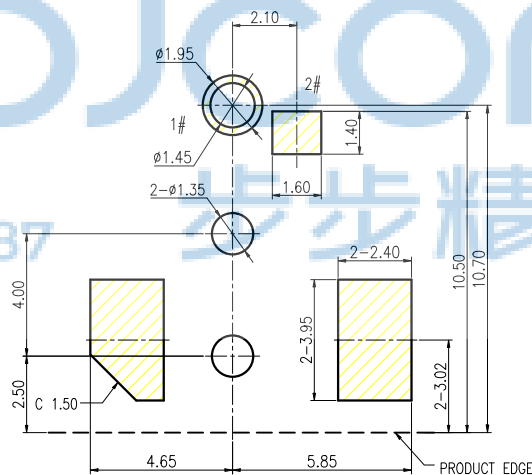
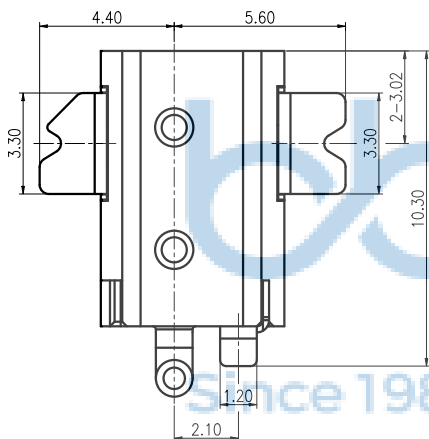


SPECIFICATION

1. Rating : DC 20V, 3.5A;
2. Contact resistance: 30mΩ MAX ;
3. Insulation resistance : 100MΩ MIN. ;
4. Withstand voltage : 500VAC ;
5. Insertion and extraction force : 5-20N
6. life test : 5,000 cycles ◦
7. Salt spray test : 48H
8. Mark "★" as the key dimension



RECOMMENDED PCB LAYOUT
TOP VIEW TOLERANCE:±0.05

| D | PIN | 1 | HB i59 | Au 0.8u"/Ni 40u" |
|-----|-------------|-----|----------------|------------------|
| C | CURVE PIECE | 1 | SUS 304 | Ni 40u" |
| B | SPRING | 1 | C5191 | Sn 80u"/Ni 40u" |
| A | HOUSING | 1 | PA46 BLACK IIA | |
| NO. | DESCRIPTION | QTY | MATERIAL | PLATING |

THIS DOCUMENT IS THE
SOLE PROPERTY OF
BBJconn Technology Co., Ltd.
Corporation AND SHOULD
NOT BE USED IN WHOLE
OR IN PART WITHOUT
PRIOR WRITTEN PERMISSION.
PDWG NO: 0386-2

深圳市步步精科技有限公司

NAME: DC座 DC-1.3针 全铜 三脚贴片 带柱 (DC350135-0830-20000H-A5.)

APPD. JM_Zheng 23/05/02

CHKD. LYX 23/05/02

DR. SGF 23/05/02

PJ. NO.: DC.01.42-12-G001

SIZE: A4 DRW NO.:

FINISH: SEE NOTES

MAT'L: SEE NOTES

SCALE: N/A

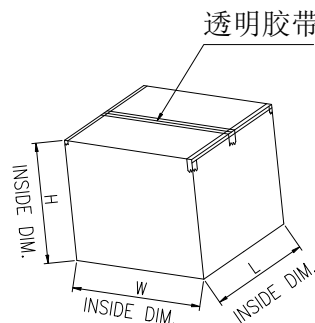
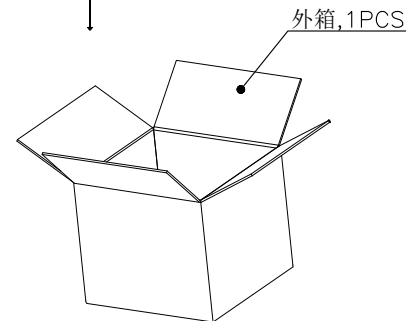
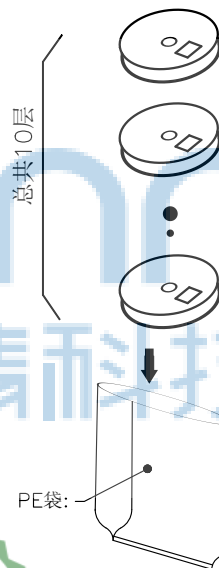
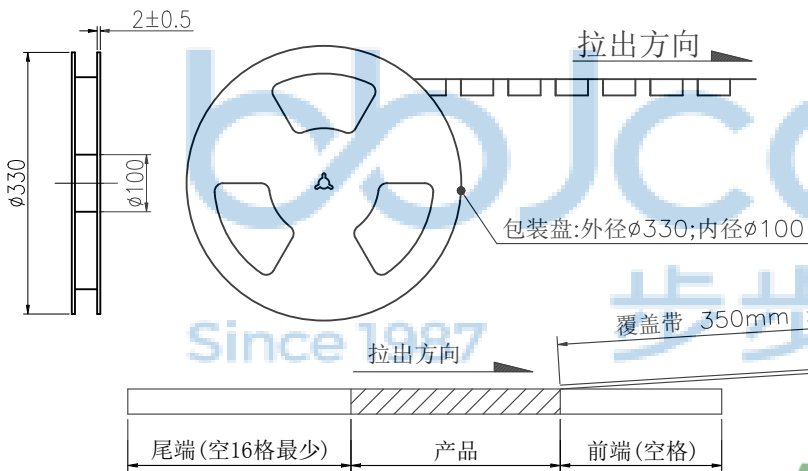
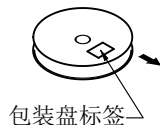
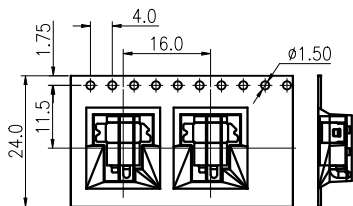
REV.: A3

UNIT: mm

PAGE: 1/1

拉出方向

| REV. | ECN NO. | CONTENT | DATE | ENGINEER |
|------|---------|---------|---------------|----------|
| A0 | | | 2023 20/04 | |



备注:

- 材料规格:
 - 载带: $T=0.40\text{mm}$
 - 包装盘: 蓝色
 - 纸箱: $L=335, W=335, H=300$
- 包装数量: 600PCS/卷, 10卷(6000PCS)/箱
- 上盖带拔离力: $0.1\text{N} \sim 0.7\text{N}$ ($10 \sim 70\text{gf}$); 拔离角度: $165^\circ \sim 180^\circ$; 拔离速度: 300mm/分钟 .



DC350135-0830-20000H

| | | | |
|---|-------------------|---|---|
| THIS DOCUMENT IS THE SOLE PROPERTY OF BBJconn Technology Co., Ltd. Corporation AND SHOULD NOT BE USED IN WHOLE OR IN PART WITHOUT PRIOR WRITTEN PERMISSION. | | 深圳市步步精科技有限公司 | |
| PDWG.NO: 0386-2 | | .X: ± 0.38 .XX: ± 0.25 .XXX: ± 0.13 | X': $\pm 3'$ X'': $\pm 2'$ X'X': $\pm 1'$ |
| APPD. | JM_Zheng 23/05'02 | NAME: DC座 DC-1.3针 全铜 三脚贴片 带柱 (DC350135-0830-20000H-A5.) | |
| CHKD. | LYX 23/05'02 | PJ. NO.: DC.01.42-12-G001 | |
| SCALE: N/A | | SIZE: A4 | |
| REV.: A3 | | DRW NO.: | |
| UNIT: mm | | FINISH: SEE NOTES | |
| PAGE: 1/1 | | MAT'L: SEE NOTES | |