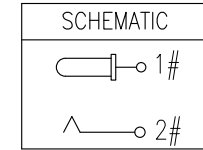
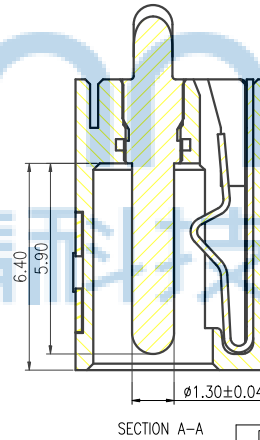
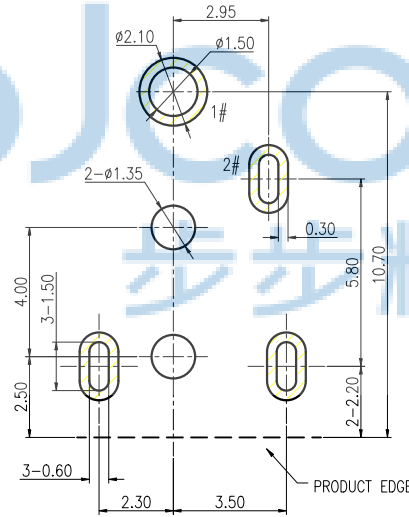
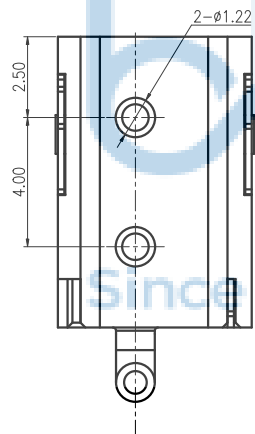
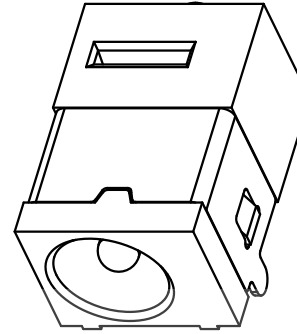
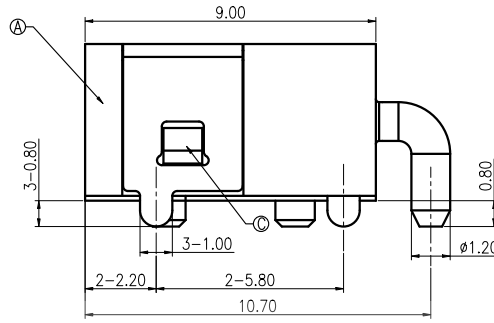
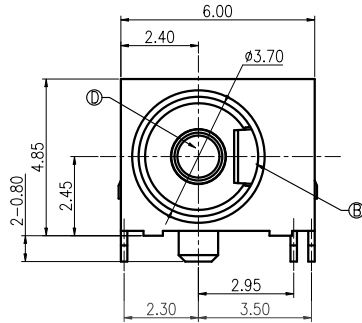


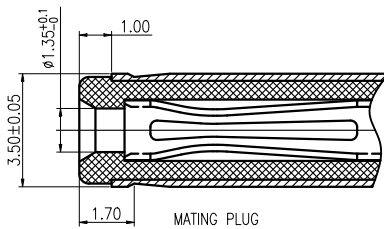
REV.	ECN NO.	CONTENT	DATE	ENGINEER
AO			2023 20/04	

SPECIFICATION

1. Rating : DC 12V, 3.0A;
2. Contact resistance : 30mΩ MAX ;
3. Insulation resistance : 100MΩ MIN. ;
4. Withstand voltage : 500VAC ;
5. Insertion and extraction force : 3-20N
6. life test : 5,000 cycles .



D	PIN	1	HB159	Gold flash/Ni
C	CURVE PIECE	1	SUS 304	Ni
B	SPRING	1	C5191	Sn/Ni
A	HOUSING	1	PA46 BLACK	
NO.	DESCRIPTION	QTY	MATERIAL	PLATING



RECOMMENDED PCB LAYOUT
TOP VIEW TOLERANCE: ±0.05



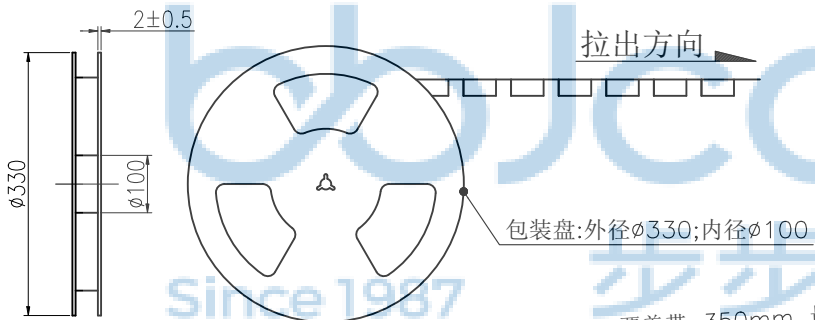
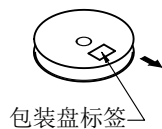
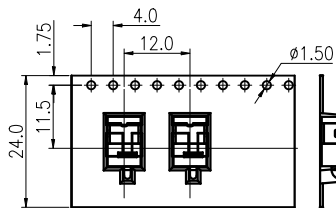
THIS DOCUMENT IS THE
SOLE PROPERTY OF
BBJconn Technology Co.,Ltd.
Corporation AND SHOULD
NOT BE USED IN WHOLE
OR IN PART WITHOUT
PRIOR WRITTEN PERMISSION.
PDWG.NO: 0386-2

深圳市步步精科技有限公司

.X: ±0.38 .XX: ±0.25 .XXX: ±0.13	X': ±3' X'': ±2' X''': ±1'	NAME: DC座 DC-1.3针 全铜 三脚插 带柱 (DC350135-0831-20000H)
APPD. JM_Zheng 23/05/02	CHKD. LYX 23/05/02	PJ. NO.: DC.02.42-12-G001
DR. SGF 23/05/02	SCALE: N/A	SIZE: A4
	REV.: A3	DRW NO.:
	UNIT: mm	FINISH: SEE NOTES
	PAGE: 1/1	MAT'L: SEE NOTES

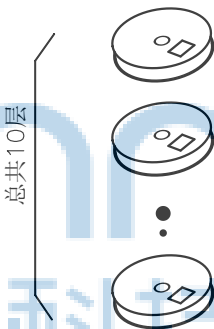
REV.	ECN NO	CONTENT	DATE	ENGINEER
AO			2023 20/04	

拉出方向

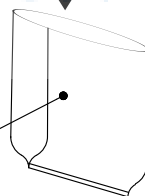


包装盘:外径 ϕ 330;内径 ϕ 100

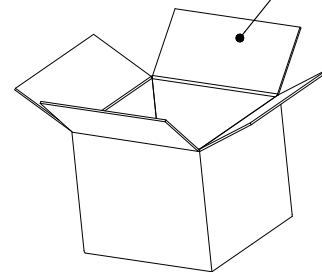
总共10层



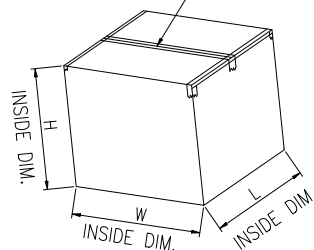
PE袋:



外箱,1PCS

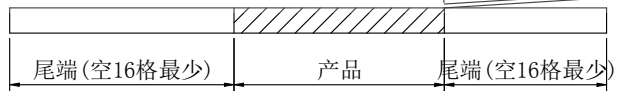


透明胶带



拉出方向

覆盖带 350mm 最少



备注:

- 材料规格:
 - 载带:T=0.40mm
 - 包装盘:蓝色
 - 纸箱: L=335,W=335,H=300
- 包装数量:
 - 800PCS/卷, 10卷(8000PCS)/箱
- 上盖带拔离力: 0.1N~0.7N(10~70gf);
拔离角度: 165°~180°;
拔离速度: 300mm/分钟.



THIS DOCUMENT IS THE SOLE PROPERTY OF		深圳市步步精科技有限公司	
BBJconn Technology Co., Ltd.		NAME:	
CORPORATION AND SHOULD NOT BE USED IN WHOLE OR IN PART WITHOUT PRIOR WRITTEN PERMISSION.		DC座 DC-1.3针 全铜 三脚插 带柱 (DC350135-0831-20000H)	
APPD.	JM_Zheng 23/05'02	PJ. NO.: DC.02.42-12-G001	
CHKD.	LYX 23/05'02	SIZE: A4 DRW NO.:	
PDWG.NO: 0386-2	DR. SGF 23/05'02	FINISH: SEE NOTES	MAT'L: SEE NOTES
		SCALE: N/A	REV.: A3 UNIT: mm PAGE: 1/1