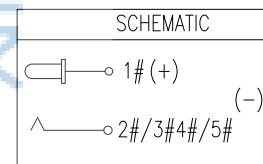
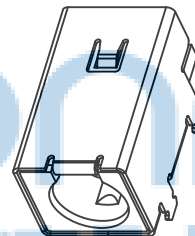
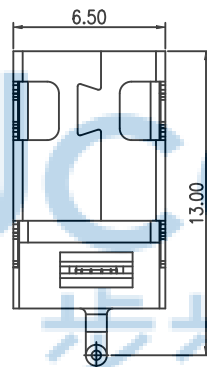
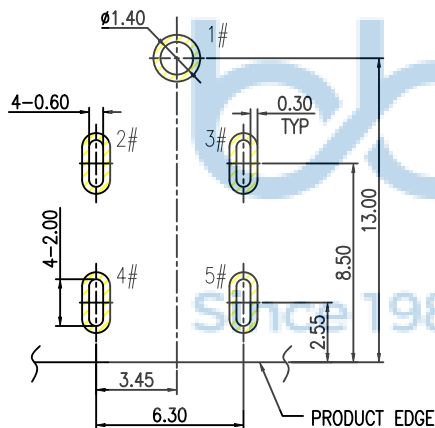
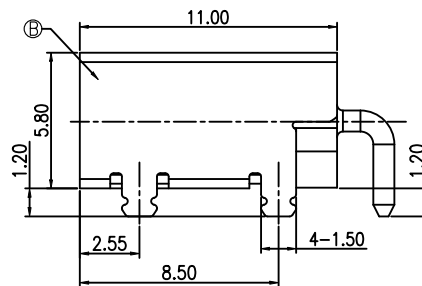
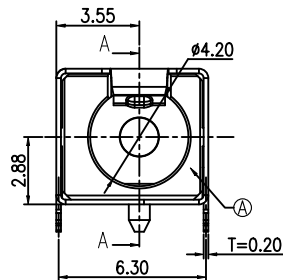
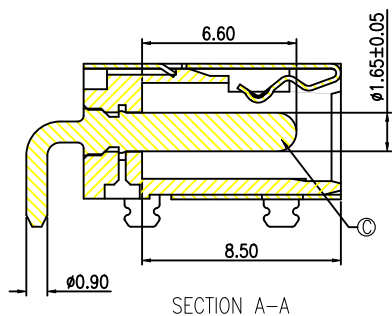


REV.	ECN NO.	CONTENT	DATE	ENGINEER
A0			2023 20/04	

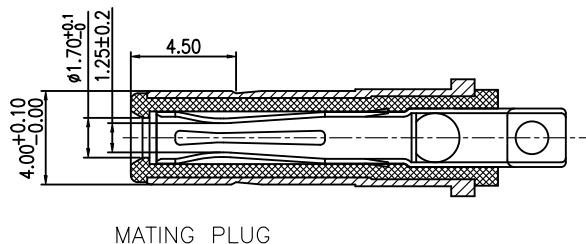
SPECIFICATION:

1. RATING: DC 20V 5A
2. CONTACT RESISTANCE: 30m Ω MAX.
3. INSULATION RESISTANCE: 100 M Ω MIN.
4. WITHSTAND VOLTAGE: 500 VAC
5. INSERTION FORCE: 5N~30N
6. EXTRACTION FORCE: 5N~30N
7. DURABILITY: 10,000 CYCLES



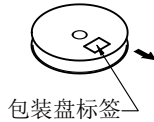
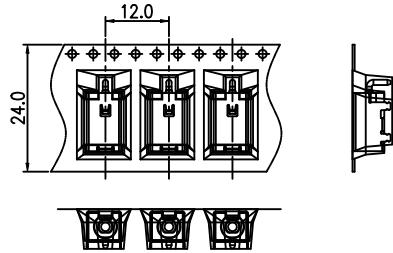
NO.	DESCRIPTION	MATERIAL	REMARKS	QTY
C	CENTER PIN	BRASS	GOLD FLASH"/Ni 40u"	1
B	SHELL	COPPER ALLOY	Ni 40u"	1
A	HOUSING	HIGH TEMP.THERMOPLASTIC	BLACK	1

THIS DOCUMENT IS THE SOLE PROPERTY OF BBJconn Technology Co.,Ltd. Corporation AND SHOULD NOT BE USED IN WHOLE OR IN PART WITHOUT PRIOR WRITTEN PERMISSION.		深圳市步步精科技有限公司 .X: ±0.38 X': ±3" .XX: ±0.25 X'': ±2" .XXX: ±0.13 .XX': ±1"	
APPD.	JM_Zheng 23/05/02	NAME:	DC座 DC-1.65针 全铜 板上型 四脚插 (DC400170-0911-20000H)
CHKD.	LYX 23/05/02	PJ. NO.:	DC.02.52-12-G001
PDWG.NO:	0386-2	SIZE: A4	DRW NO.:
DR.	SGF 23/05/02	FINISH: SEE NOTES	MAT'L: SEE NOTES
		SCALE: N/A	REV.: A3 UNIT: mm PAGE: 1/1



REV.	ECN NO	CONTENT	DATE	ENGINEER
A0			2023 20/04	

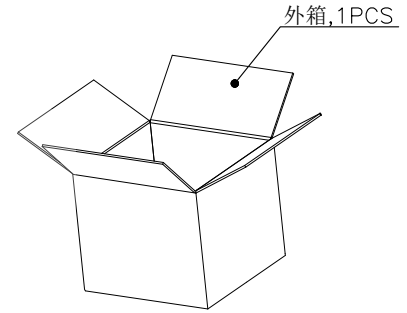
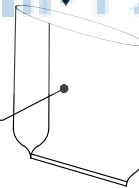
拉出方向



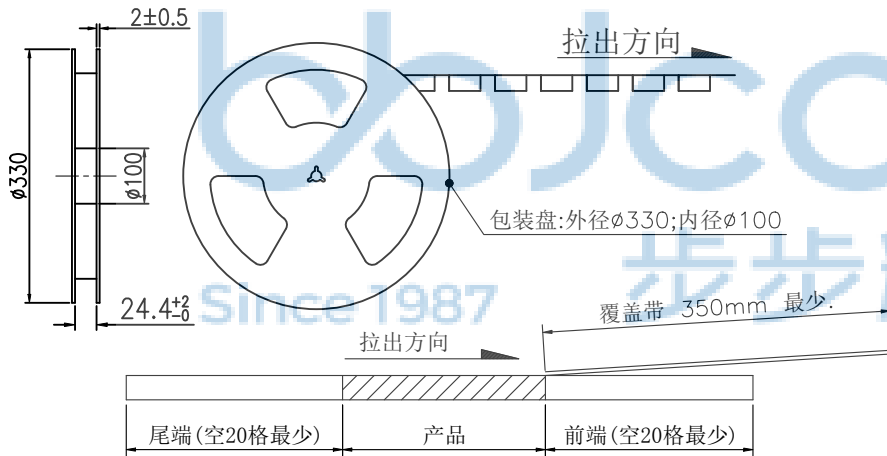
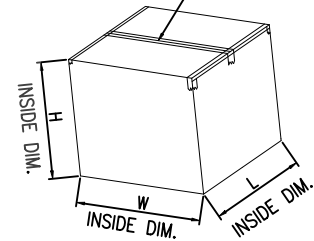
总共10层



PE袋:



透明胶带



备注:

- 材料规格:
 - 1.1 载带:T=0.50mm,黑色
 - 1.2 包装盘:蓝色
 - 1.3 纸箱: L=335,W=335,H=300
- 包装数量:
700PCS/卷, 10卷(7000PCS)/箱
- 上盖带拔离力: 0.1N~0.7N(10~70gf);
拔离角度: 165°~180°;
拔离速度: 300mm/分钟.



THIS DOCUMENT IS THE SOLE PROPERTY OF BBJconn Technology Co.,Ltd. Corporation AND SHOULD NOT BE USED IN WHOLE OR IN PART WITHOUT PRIOR WRITTEN PERMISSION.		深圳市步步精科技有限公司 .X: ±0.38 .X': ±3' .XX: ±0.25 .X': ±2' .XXX: ±0.13 .XX': ±1'		NAME: DC座 DC-1.65针 全铜 板上型 四脚插 (DC400170-0911-20000H)	
APPD.	JM_Zheng	23/05/02	PJ. NO.: DC.02.52-12-G001 SIZE: A4 DRW NO.:		
CHKD.	LYX	23/05/02	FINISH: SEE NOTES MAT'L.: SEE NOTES SCALE: N/A REV.: A3 UNIT: mm PAGE: 1/1		
PDWG.NO:	0386-2	DR.	SGF	23/05/02	