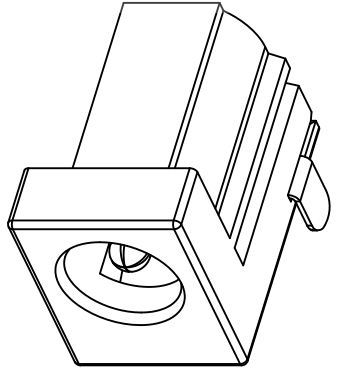
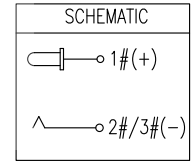
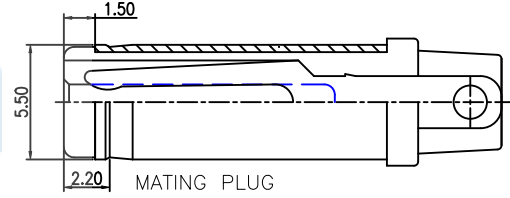
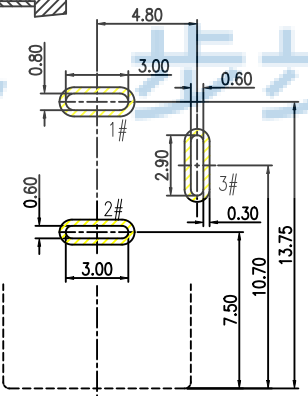
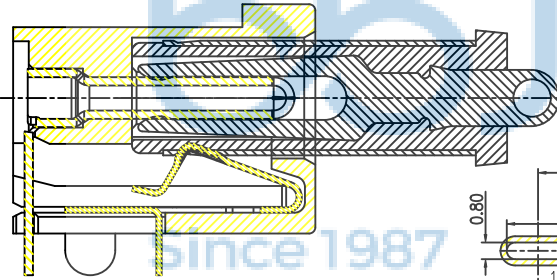
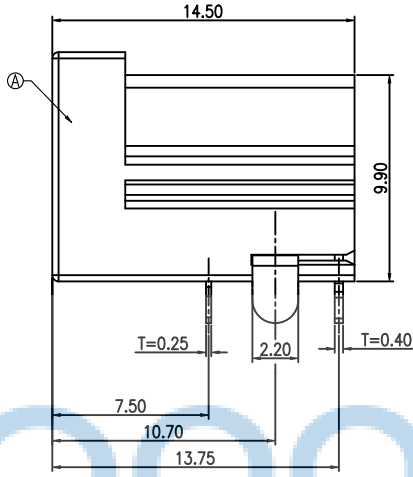
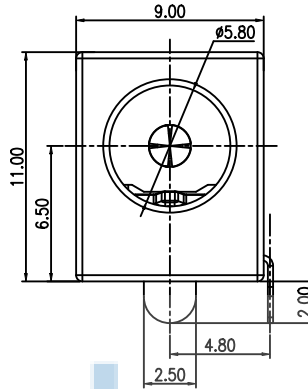
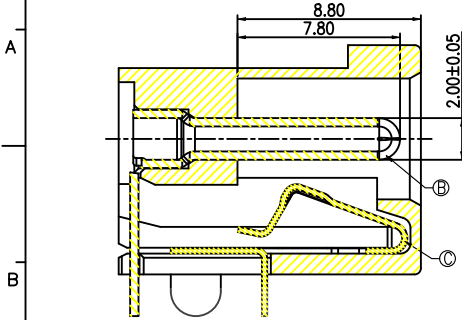


REV.	ECN NO	CONTENT	DATE	ENGINEER
AO			2023 20/04	

SPECIFICATION:

1. RATING: DC 60V 7A
2. CONTACT RESISTANCE: 30m Ω MAX.
3. INSULATION RESISTANCE: 100 M Ω MIN.
4. WITHSTAND VOLTAGE: 500 VAC
5. INSERTION FORCE: 40N MAX.
6. EXTRACTION FORCE: 3N MIN.
7. DURABILITY: 5,000 CYCLES



RECOMMENDED PCB LAYOUT
TOP VIEW TOLERANCE: ±0.05



NO.	DESCRIPTION	MATERIAL	REMARKS	QTY
C	SPRING	COPPER ALLOY	Sn80u" MIN./Ni 40u".	1
B	CENTER PIN	BRASS	Sn80u" MIN./Ni 40u".	1
A	HOUSING	PA10T (无卤)	BLACK	1

THIS DOCUMENT IS THE SOLE PROPERTY OF BBJconn Technology Co., Ltd. Corporation AND SHOULD NOT BE USED IN WHOLE OR IN PART WITHOUT PRIOR WRITTEN PERMISSION.

PDWG.NO: 0386-2

DR. SGF 23/05/02

NAME: DC座 DC-2.0针 全铜 卧式 三脚插 (DC550200-0343-20000H)

PJ. NO.: DC.02.62-12-G001

SIZE: A4 DRW NO.:

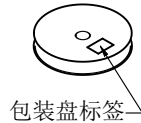
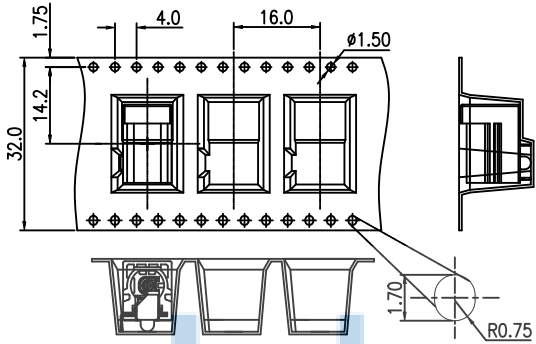
FINISH: SEE NOTES MAT'L: SEE NOTES

SCALE: N/A REV.: A3 UNIT: mm PAGE: 1/1

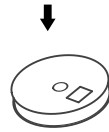
深圳市步步精科技有限公司

REV.	ECN NO	CONTENT	DATE	ENGINEER
AO			2023 20/04	

拉出方向

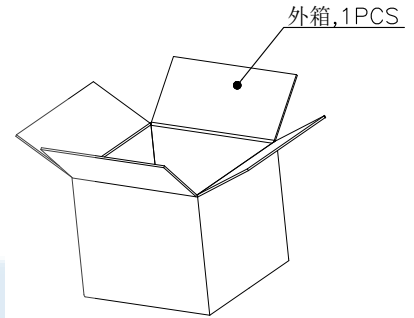


包装盘标签

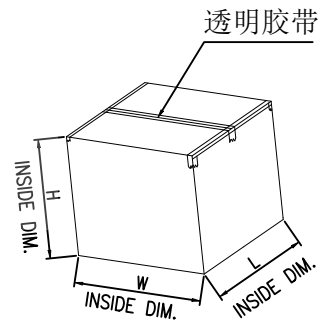


总共10层

PE袋:

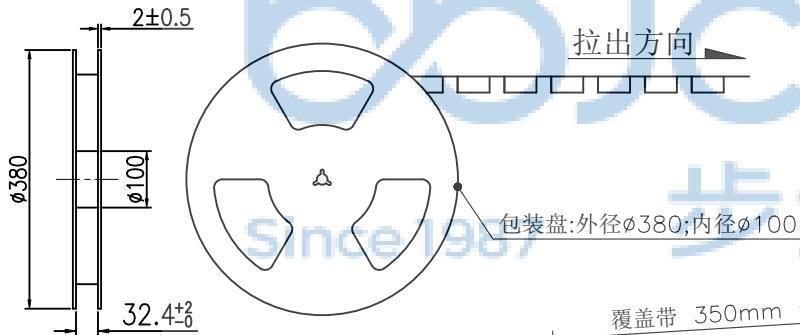


外箱, 1PCS



透明胶带

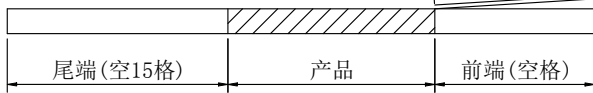
拉出方向



包装盘: 外径 ϕ 380; 内径 ϕ 100

覆盖带 350mm 最少.

拉出方向



备注:

- 材料规格:
 - 1.1 载带: 透明
 - 1.2 包装盘: 蓝色
 - 1.3 纸箱: L=385, W=385, H=380
- 包装数量: 400PCS/卷, 10卷(4000PCS)/箱
- 上盖带拔离力: 0.1N~0.7N(10~70gf); 拔离角度: 165°~180°; 拔离速度: 300mm/分钟.



THIS DOCUMENT IS THE SOLE PROPERTY OF BBJconn Technology Co., Ltd. Corporation AND SHOULD NOT BE USED IN WHOLE OR IN PART WITHOUT PRIOR WRITTEN PERMISSION. PDPWG.NO: 0386-2		深圳市步步精科技有限公司 .X: ± 0.38 .XX: ± 0.25 .XXX: ± 0.13 X': $\pm 3'$ X'': $\pm 2'$ X''': $\pm 1'$	
APPD.	JM_Zheng 23/05'02	NAME:	DC座 DC-2.0针 全铜 卧式 三脚插 (DC550200-0343-20000H)
CHKD.	LYX 23/05'02	PJ. NO.:	DC.02.62-12-G001
DR.	SGF 23/05'02	SIZE:	A4 DRW NO.:
		FINISH:	SEE NOTES
		MAT'L.:	SEE NOTES
		SCALE:	N/A
		REV.:	A3
		UNIT:	mm
		PAGE:	1/1