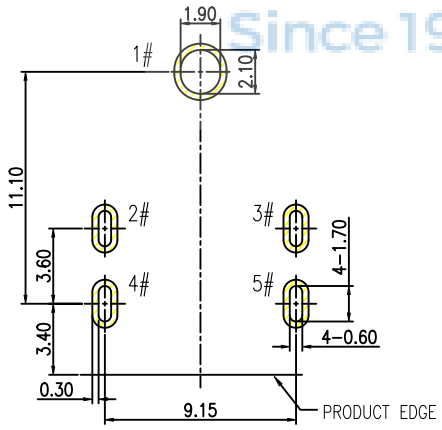
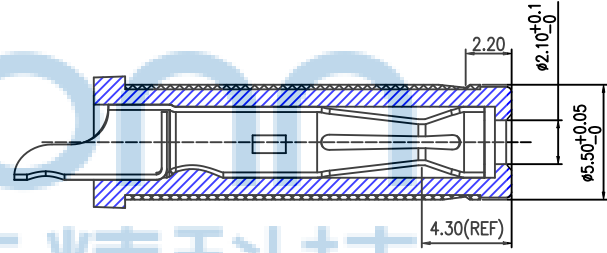
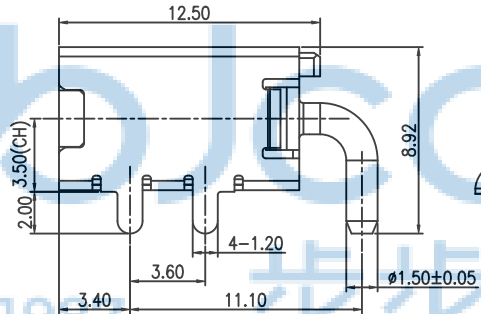
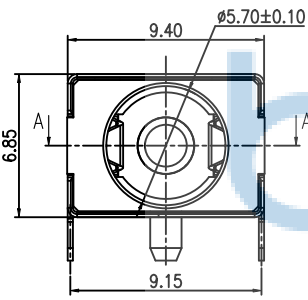
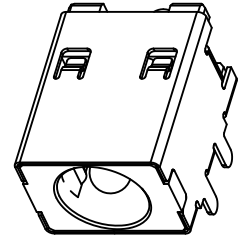
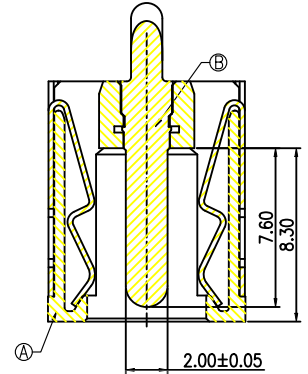
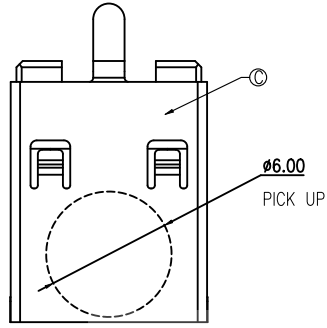
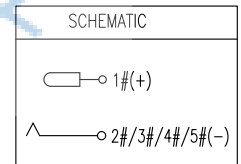


REV.	ECN NO.	CONTENT	DATE	ENGINEER
A0			2023 20/04	

- SPECIFICATION:
1. RATING: DC 30V 15A
  2. CONTACT RESISTANCE:  
30m? MAX(INITIAL).  
50m? MAX(FINAL).
  3. INSULATION RESISTANCE: 100 M? MIN.
  4. WITHSTAND VOLTAGE: 500 VAC
  5. INSERTION FORCE: 30N MAX.
  6. EXTRACTION FORCE: 3N MIN.
  7. DURABILITY: 5,000 CYCLES



MATING PLUG



NO.	DESCRIPTION	MATERIAL	REMARKS	QTY
C	SHELL	C5210	Ni 40u" MIN.	1
B	CENTER PIN	BRASS	GOLD FLASH /Ni 40u" MIN.	1
A	HOUSING	PA10T	BLACK	1

THIS DOCUMENT IS THE SOLE PROPERTY OF BBJconn Technology Co., Ltd. Corporation AND SHOULD NOT BE USED IN WHOLE OR IN PART WITHOUT PRIOR WRITTEN PERMISSION. PDWG. NO: 0386-2

**深圳市步步精科技有限公司**

NAME: DC座 DC-2.0针 全铜 卧式 四脚插 (DC550200-1154-20000H)

PJ. NO.: DC.02.62-12-G003  
SIZE: A4  
DRAW NO.:

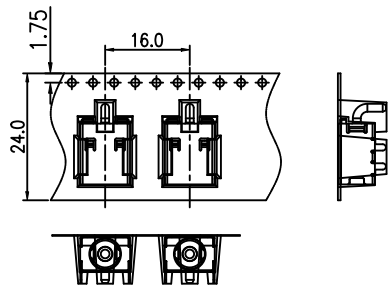
FINISH: SEE NOTES  
MAT'L: SEE NOTES  
SCALE: N/A  
REV.: A3  
UNIT: mm  
PAGE: 1/1

APPD. JM\_Zheng 23/05'02  
CHKD. LYX 23/05'02  
DR. SGF 23/05'02

RECOMMENDED PCB LAYOUT  
TOP VIEW TOLERANCE: ±0.05

REV.	ECN NO.	CONTENT	DATE	ENGINEER
AO			2023 20/04	

拉出方向



总共10层

PE袋:

外箱, 1PCS

透明胶带

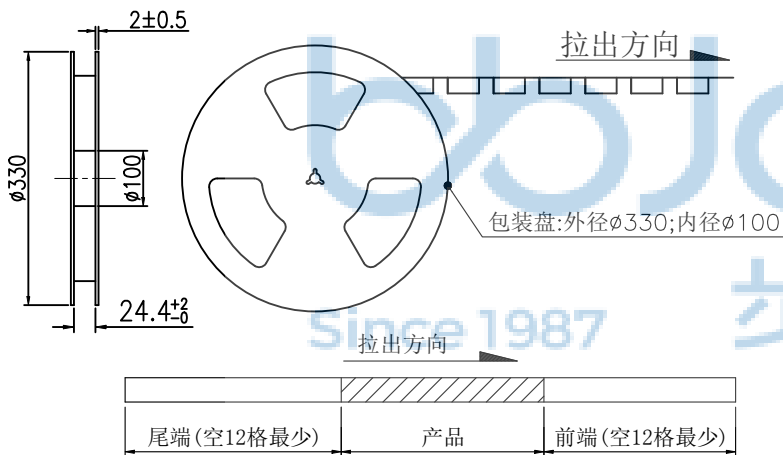
INSIDE DIM.

H

W

INSIDE DIM.

INSIDE DIM.



尾端 (空12格最少)      产品      前端 (空12格最少)

备注:

- 材料规格:
  - 1.1 载带: T=0.50mm
  - 1.2 包装盘: 蓝色
  - 1.3 纸箱: L=335, W=335, H=300
- 包装数量: 400PCS/卷, 10卷(4000PCS)/箱
- 上盖带拔离力: 0.1N~0.7N(10~70gf); 拔离角度: 165°~180°; 拔离速度: 300mm/分钟。



THIS DOCUMENT IS THE  
SOLE PROPERTY OF  
BBJconn Technology Co., Ltd.  
Corporation AND SHOULD  
NOT BE USED IN WHOLE  
OR IN PART WITHOUT  
PRIOR WRITTEN PERMISSION.  
PDWG, NO: 0386-2



深圳市步步精科技有限公司

.X: ±0.38 X': ±3"  
.XX: ±0.25 X'': ±2"  
.XXX: ±0.13 X'': ±1"  
APPD. JM\_Zheng 23/05/02  
CHKD. LYX 23/05/02  
DR. SGF 23/05/02

NAME:  
DC座 DC-2.0针 全铜 卧式 四脚插 (DC50200-1154-20000H)  
PJ. NO.: DC.02.62-12-G003  
SIZE: A4 DRW NO.:  
FINISH: SEE NOTES MAT'L.: SEE NOTES  
SCALE: N/A REV.: A3 UNIT: mm PAGE: 1/1