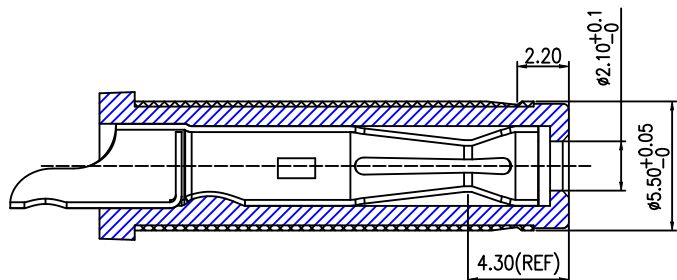
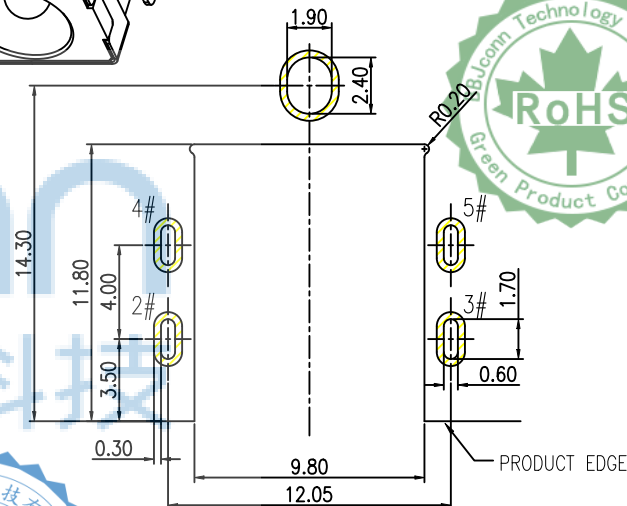
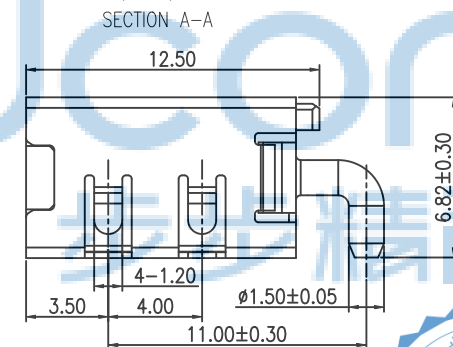
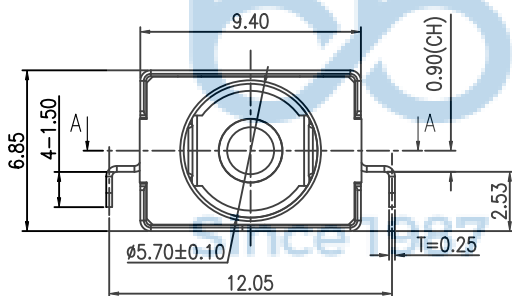
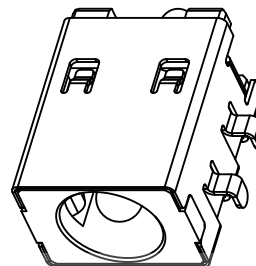
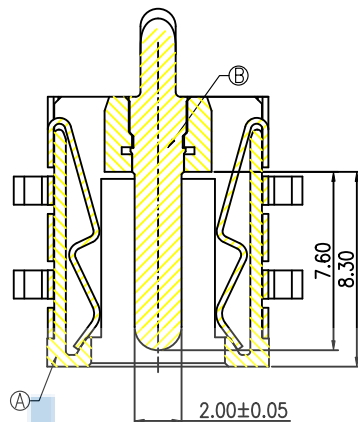
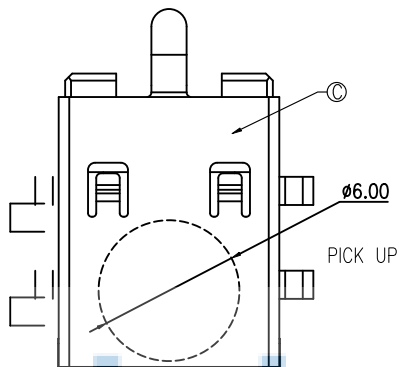


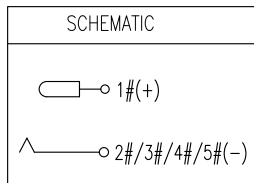
REV.	ECN NO	CONTENT	DATE	ENGINEER
AO			2023 20/04	

SPECIFICATION:

- RATING: DC 30V 15A
- CONTACT RESISTANCE:  
30m? MAX(INITIAL).  
50m? MAX(FINAL).
- INSULATION RESISTANCE: 100 M? MIN.
- WITHSTAND VOLTAGE: 500 VAC
- INSERTION FORCE: 30N MAX.
- EXTRACTION FORCE: 3N MIN.
- DURABILITY: 5,000 CYCLES



MATING PLUG



NO.	DESCRIPTION	MATERIAL	REMARKS	QTY
C	SHELL	C5210	Ni 40u" MIN.	1
B	CENTER PIN	BRASS	GOLD FLASH /Ni 40u" MIN.	1
A	HOUSING	PA10T	BLACK	1

THIS DOCUMENT IS THE SOLE PROPERTY OF BBJconn Technology Co., Ltd. Corporation AND SHOULD NOT BE USED IN WHOLE OR IN PART WITHOUT PRIOR WRITTEN PERMISSION.

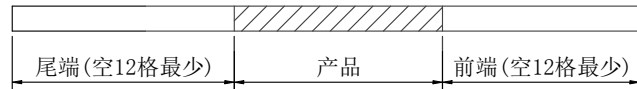
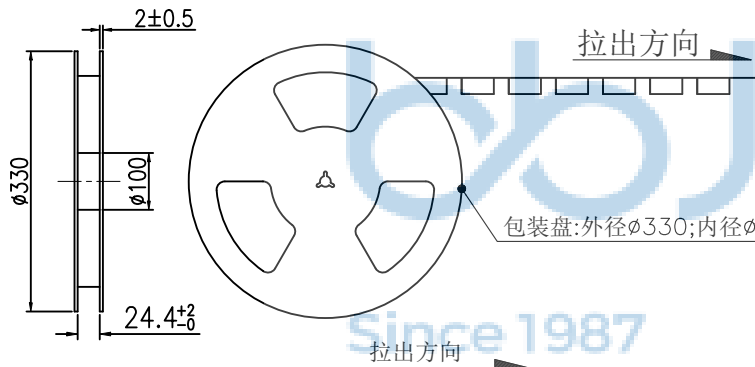
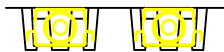
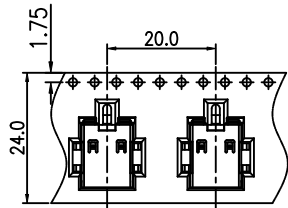


深圳市步步精科技有限公司

APPD.	JM_Zheng 23/05/02	NAME:	DC座 DC-2.0针 全铜 卧式 四脚插 (DC550200-1157-20000H)
CHKD.	LYX 23/05/02	PJ. NO.:	DC.02.62-12-G006
PDWG.NO:	0386-2	SIZE:	A4 DRW NO.:
DR.	SGF 23/05/02	FINISH:	SEE NOTES
		MAT'L.:	SEE NOTES
		SCALE:	N/A
		REV.:	A3
		UNIT:	mm
		PAGE:	1/1

REV.	ECN NO	CONTENT	DATE	ENGINEER
AO			2023 20/04	

拉出方向



备注:

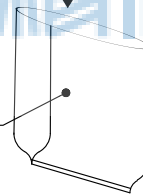
- 材料规格:
  - 载带:T=0.50mm
  - 包装盘:蓝色
  - 纸箱: L=335,W=335,H=300
- 包装数量:  
400PCS/卷, 10卷(4000PCS)/箱
- 上盖带剥离力: 0.1N~0.7N(10~70gf);  
剥离角度: 165°~180°;  
剥离速度: 300mm/分钟.



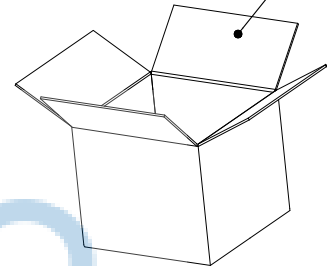
总共10层



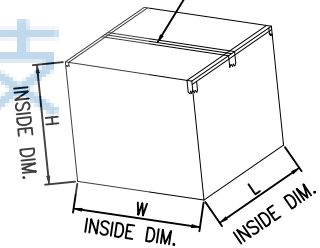
PE袋:



外箱, 1PCS



透明胶带



THIS DOCUMENT IS THE SOLE PROPERTY OF BBJconn Technology Co., Ltd. CORPORATION AND SHOULD NOT BE USED IN WHOLE OR IN PART WITHOUT PRIOR WRITTEN PERMISSION. PDWG.NO: 0386-2		<b>深圳市步步精科技有限公司</b> .X: ±0.38 .XX: ±0.25 .XXX: ±0.13 X': ±3' .X': ±2' .XX': ±1' NAME: DC座 DC-2.0针 全铜 卧式 四脚插 (DC550200-1157-20000H) APPD. JM_Zheng 23/05/02 CHKD. LYX 23/05/02 DR. SGF 23/05/02		PJ. NO.: DC.02.62-12-G006 SIZE: A4 DRW NO.: FINISH: SEE NOTES MAT'L: SEE NOTES SCALE: N/A REV.: A3 UNIT: mm PAGE: 1/1	
---	--	--	--	--	--