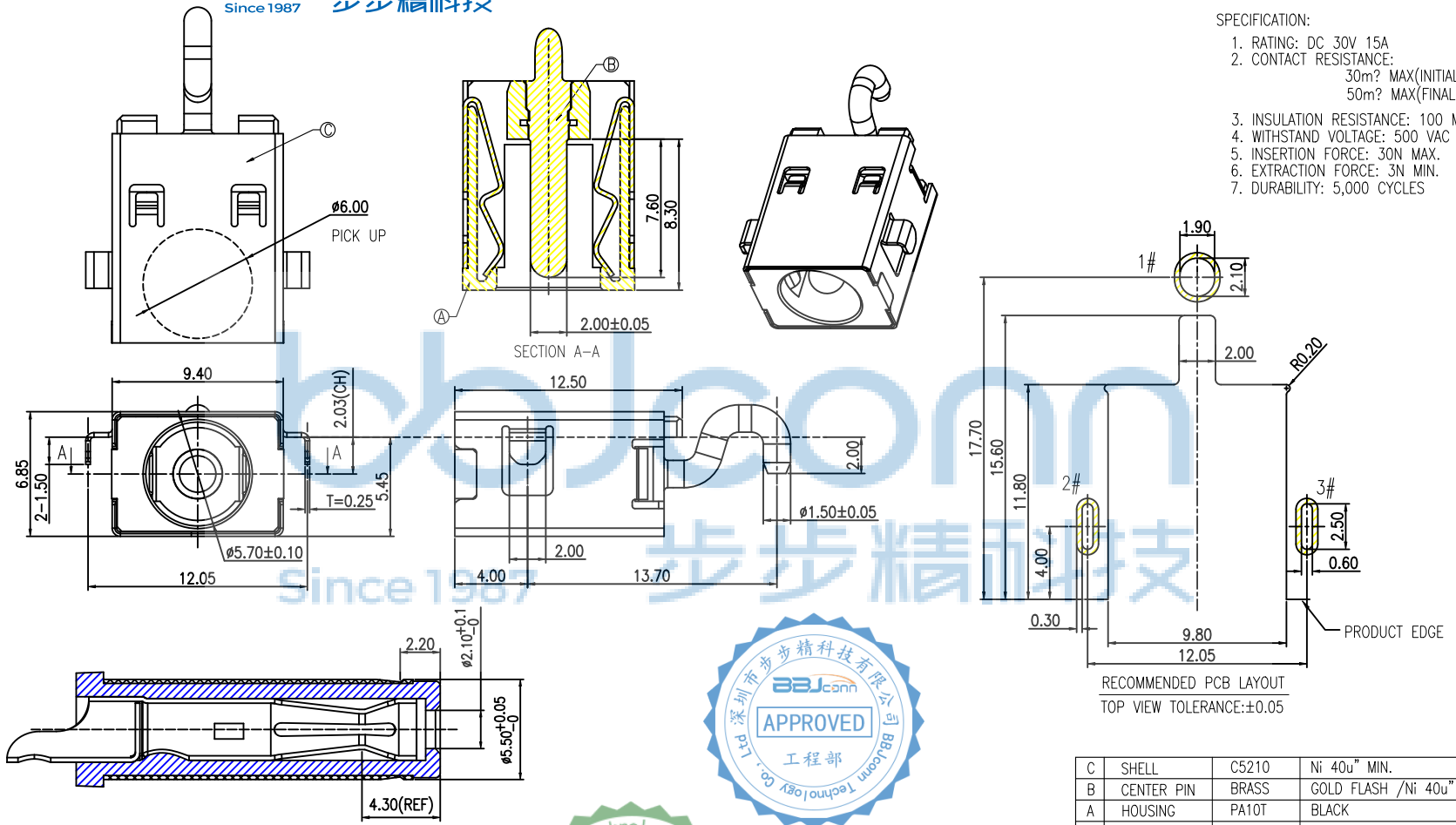


REV.	ECN NO	CONTENT	DATE	ENGINEER
AO			2023 20/04	

- SPECIFICATION:
- RATING: DC 30V 15A
 - CONTACT RESISTANCE:
30m? MAX(INITIAL).
50m? MAX(FINAL).
 - INSULATION RESISTANCE: 100 M? MIN.
 - WITHSTAND VOLTAGE: 500 VAC
 - INSERTION FORCE: 30N MAX.
 - EXTRACTION FORCE: 3N MIN.
 - DURABILITY: 5,000 CYCLES

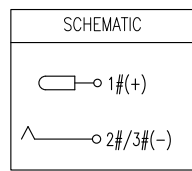


RECOMMENDED PCB LAYOUT
TOP VIEW TOLERANCE:±0.05

C	SHELL	C5210	Ni 40u" MIN.	1
B	CENTER PIN	BRASS	GOLD FLASH /Ni 40u" MIN.	1
A	HOUSING	PA10T	BLACK	1
NO.	DESCRIPTION	MATERIAL	REMARKS	QTY



MATING PLUG



深圳市步步精科技有限公司

THIS DOCUMENT IS THE SOLE PROPERTY OF BBJconn Technology Co.,Ltd. CORPORATION AND SHOULD NOT BE USED IN WHOLE OR IN PART WITHOUT PRIOR WRITTEN PERMISSION.

PDWG.NO: 0386-2

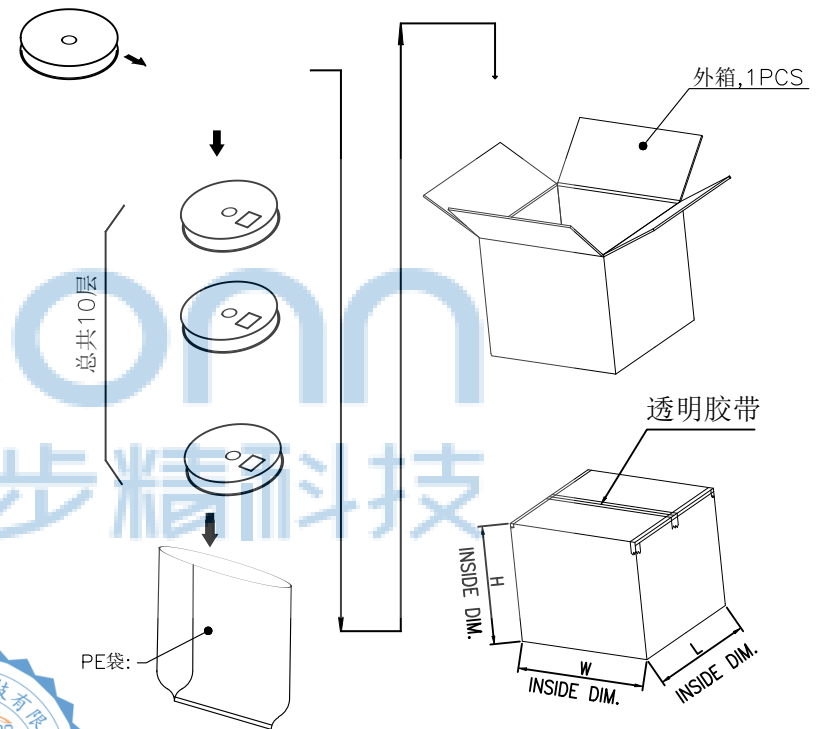
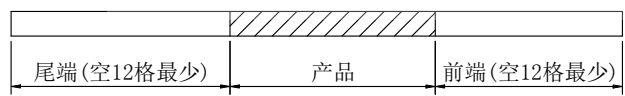
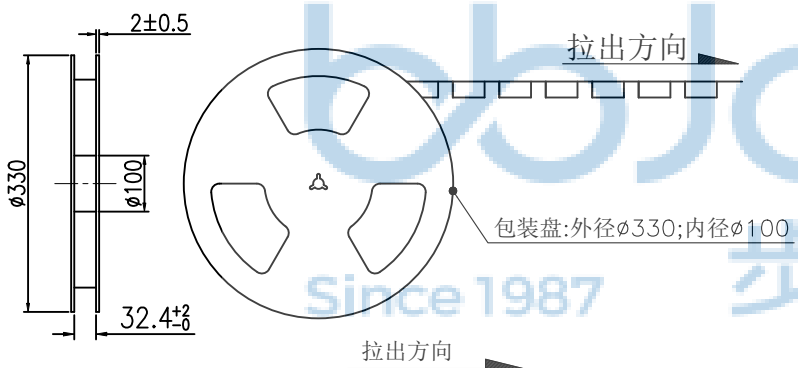
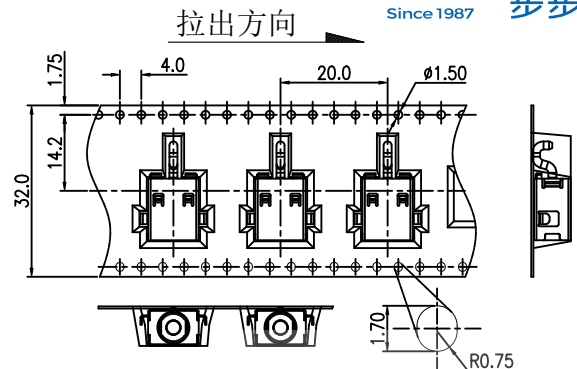
APPD. JM_Zheng 23/05'02
CHKD. LYX 23/05'02
DR. SGF 23/05'02

NAME: DC座 DC-2.0针 全铜 卧式 两脚插 (DC550200-1161-20000H)

PJ. NO.: DC.02.62-12-G010
SIZE: A4 DRW NO.:

FINISH: SEE NOTES MAT'L.: SEE NOTES
SCALE: N/A REV.: A3 UNIT: mm PAGE: 1/1

REV.	ECN NO.	CONTENT	DATE	ENGINEER
AO			2023 20/04	



- 备注:
- 材料规格:
 - 1.1 载带:T=0.50mm
 - 1.2 包装盘:蓝色
 - 1.3 纸箱: L=335,W=335,H=380
 - 包装数量:
400PCS/卷, 10卷(4000PCS)/箱
 - 上盖带剥离力: 0.1N~0.7N(10~70gf);
剥离角度: 165°~180°;
剥离速度: 300mm/分钟.



THIS DOCUMENT IS THE SOLE PROPERTY OF BBJconn Technology Co., Ltd. CORPORATION AND SHOULD NOT BE USED IN WHOLE OR IN PART WITHOUT PRIOR WRITTEN PERMISSION.		深圳市步步精科技有限公司 .X: ±0.38 X': ±3" .XX: ±0.25 X'': ±2" .XXX: ±0.13 X''': ±1"	
PDWG.NO: 0386-2	DR.	SGF	23/05'02
NAME: DC座 DC-2.0针 全铜 卧式 两脚插 (DC550200-1161-20000H)		P.J. NO.: DC.02.62-12-G010	
SIZE: A4		DRAW NO.:	
FINISH: SEE NOTES		MAT'L.: SEE NOTES	
SCALE: N/A	REV.: A3	UNIT: mm	PAGE: 1/1