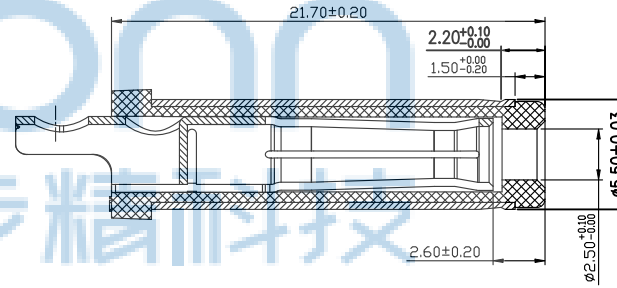
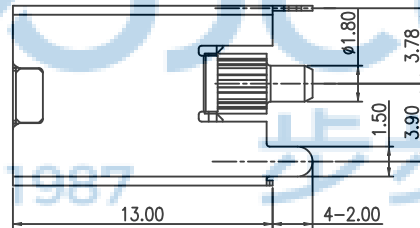
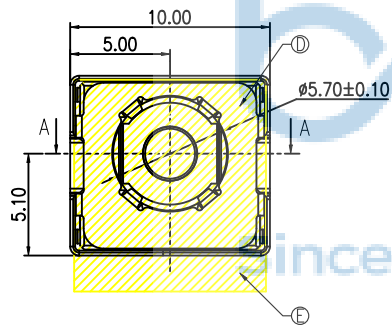
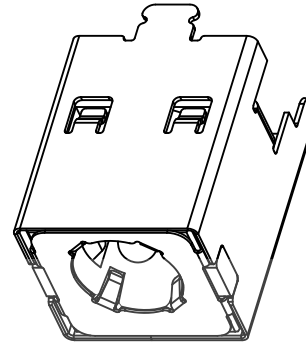
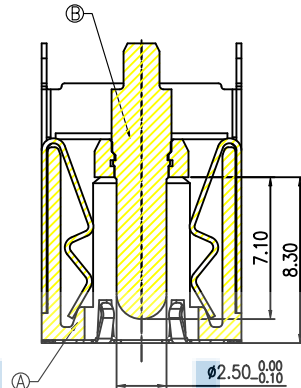
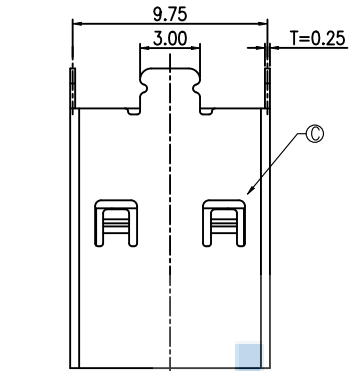


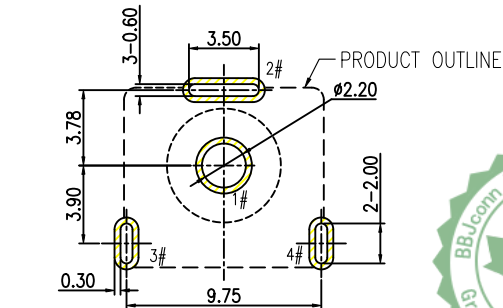
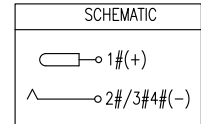
REV.	ECN NO.	CONTENT	DATE	ENGINEER
AO			2023 20/04	

SPECIFICATION:

- RATING: DC 20V 20A
- CONTACT RESISTANCE:
30m? MAX.(INITIAL)
50m? MAX.(FINAL)
- INSULATION RESISTANCE: 100 M? MIN.
- WITHSTAND VOLTAGE: 500 VAC
- INSERTION FORCE: 3N~30N
- EXTRACTION FORCE: 3N~30N
- DURABILITY: 5,000 CYCLES



MATING PLUG



RECOMMENDED PCB LAYOUT
TOP VIEW TOLERANCE: ±0.05



NO.	DESCRIPTION	MATERIAL	REMARKS	QTY
E	MYLAR			1
D	GROUND	SUS 304		1
C	SHELL	COPPER ALLOY	Ni 40u"MIN.	1
B	CENTER PIN	BRASS	GOLD FLASH/Ni 40u" MIN.	1
A	HOUSING	HIGH TEMP.THERMOPLASTIC	BLACK	1

THIS DOCUMENT IS THE SOLE PROPERTY OF BBJconn Technology Co., Ltd. CORPORATION AND SHOULD NOT BE USED IN WHOLE OR IN PART WITHOUT PRIOR WRITTEN PERMISSION. PDWG.NO: 0386-2

深圳市步步精科技有限公司

NAME: DC座 DC-2.5针 全铜 直立式180° 三脚插 (DC550250-1076-20000H)

APPD. JM_Zheng 23/05'02

CHKD. LYX 23/05'02

DR. SGF 23/05'02

PJ. NO.: DC.02.72-12-G004

SIZE: A4 DRW NO.:

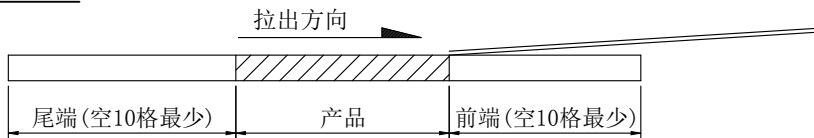
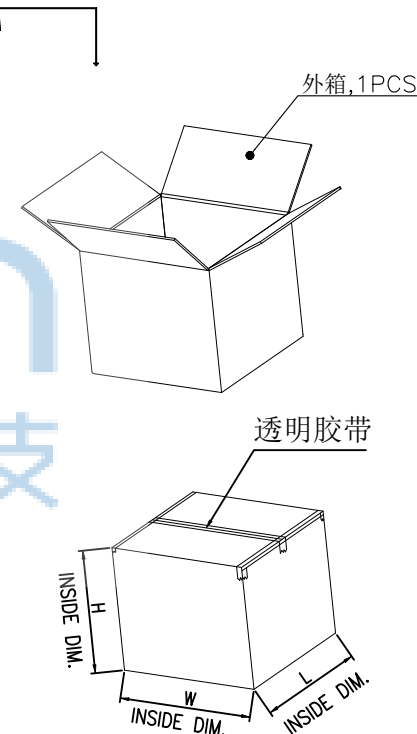
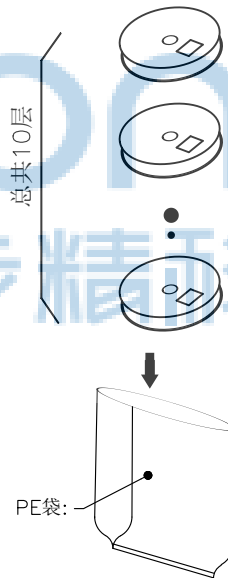
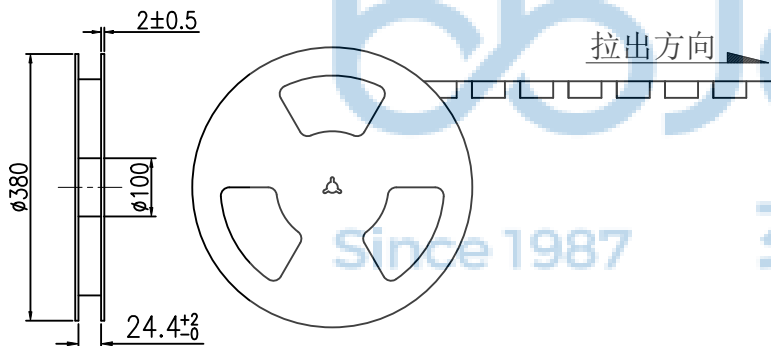
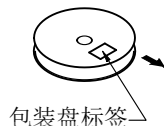
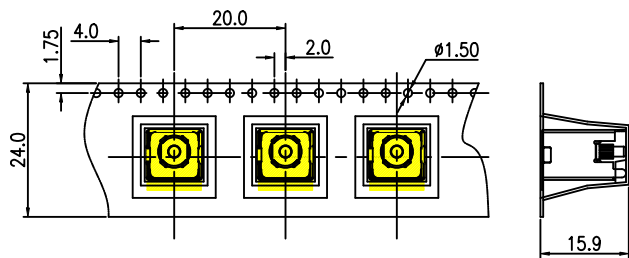
FINISH: SEE NOTES MAT'L.: SEE NOTES

SCALE: N/A REV.: A3 UNIT: mm PAGE: 1/1

拉出方向

bbJconn
Since 1987 步步精科技

REV.	ECN NO	CONTENT	DATE	ENGINEER
AO			2023 20/04	



备注:

- 材料规格:
 - 载带: $T=0.50\text{mm}$
 - 包装盘: 蓝色
 - 纸箱: $L=385, W=385, H=300$
- 包装数量:
 - 250PCS/卷, 10卷(2500PCS)/箱
- 上盖带剥离力: $0.1\text{N}\sim 0.7\text{N}$ ($10\sim 70\text{gf}$);
 剥离角度: $165^\circ\sim 180^\circ$;
 剥离速度: 300mm/分钟 .



THIS DOCUMENT IS THE SOLE PROPERTY OF BBJconn Technology Co., Ltd. CORPORATION AND SHOULD NOT BE USED IN WHOLE OR IN PART WITHOUT PRIOR WRITTEN PERMISSION.		深圳市步步精科技有限公司 工程 部	
APPD.	JM_Zheng 23/05/02	NAME:	DC座 DC-2.5针 全铜 直立式180° 三脚插 (DC550250-1076-20000H)
CHKD.	LYX 23/05/02	PJ. NO.:	DC.02.72-12-G004
PDWG. NO:	0386-2	SIZE:	A4
DR.	SGF 23/05/02	FINISH:	SEE NOTES
		MAT'L.:	SEE NOTES
		SCALE:	N/A
		REV.:	A3
		UNIT:	mm
		PAGE:	1/1