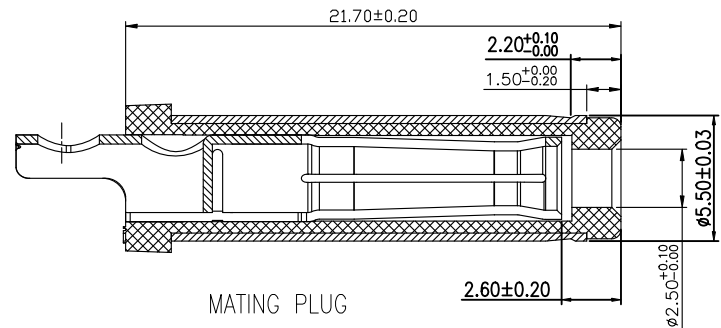
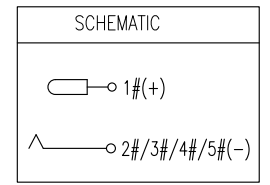
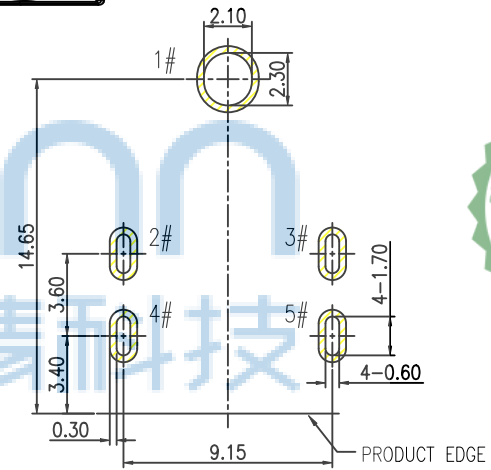
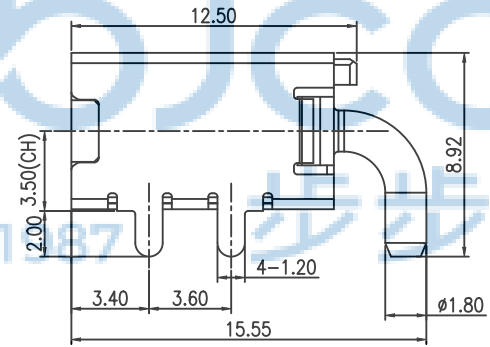
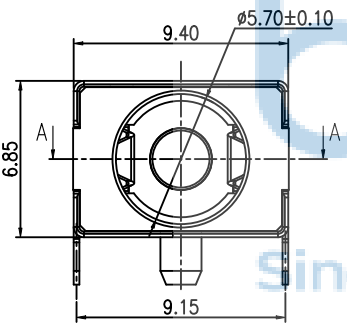
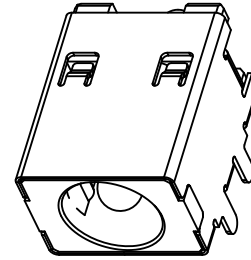
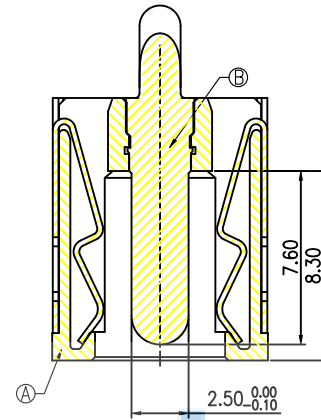
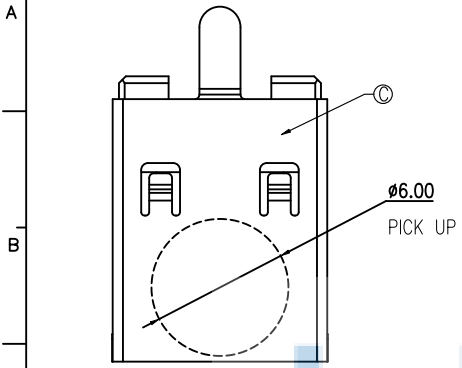


REV.	ECN NO	CONTENT	DATE	ENGINEER
AO			2023 20/04	

SPECIFICATION:

1. RATING: DC 30V 20A
2. CONTACT RESISTANCE:  
30m? MAX(INITIAL).  
50m? MAX(FINAL).
3. INSULATION RESISTANCE: 100 M? MIN.
4. WITHSTAND VOLTAGE: 500 VAC
5. INSERTION FORCE: 30N MAX.
6. EXTRACTION FORCE: 3N MIN.
7. DURABILITY: 5,000 CYCLES



RECOMMENDED PCB LAYOUT  
TOP VIEW TOLERANCE: ±0.05

NO.	DESCRIPTION	MATERIAL	REMARKS	QTY
C	SHELL	C5210	Ni 40u" MIN.	1
B	CENTER PIN	BRASS	GOLD FLASH /Ni 40u" MIN.	1
A	HOUSING	PA10T	BLACK	1

THIS DOCUMENT IS THE SOLE PROPERTY OF BBJconn Technology Co., Ltd. CORPORATION AND SHOULD NOT BE USED IN WHOLE OR IN PART WITHOUT PRIOR WRITTEN PERMISSION. PDWG.NO: 0386-2 DR. SGF 23/05'02

**深圳市步步精科技有限公司**

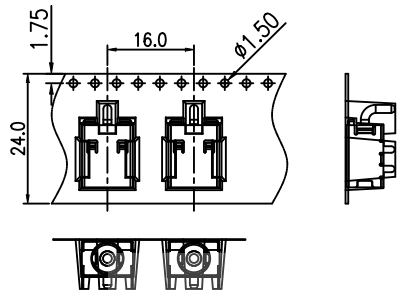
NAME: DC座 DC-2.5针 全铜 卧式 四脚插 (DC550250-1195-20000H)

PJ. NO.: DC.02.72-12-G010  
SIZE: A4 DRW NO.:

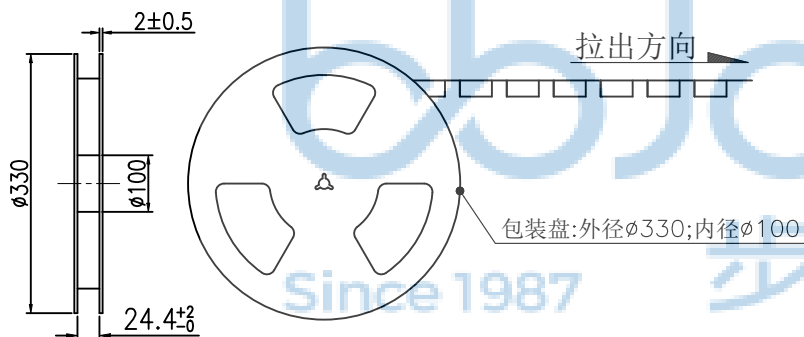
FINISH: SEE NOTES MAT'L.: SEE NOTES  
SCALE: N/A REV.: A3 UNIT: mm PAGE: 1/1

REV.	ECN NO	CONTENT	DATE	ENGINEER
A0			2023 20/04	

拉出方向



拉出方向

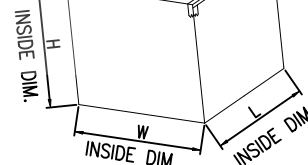


总共10层

PE袋:

外箱, 1PCS

透明胶带



备注:

- 材料规格:
  - 1.1 载带:  $T=0.50\text{mm}$
  - 1.2 包装盘: 蓝色
  - 1.3 纸箱:  $L=335, W=335, H=300$
- 包装数量: 400PCS/卷, 10卷(4000PCS)/箱
- 上盖带拔离力:  $0.1\text{N}\sim 0.7\text{N}$  ( $10\sim 70\text{gf}$ );  
拔离角度:  $165^\circ\sim 180^\circ$ ;  
拔离速度:  $300\text{mm}/\text{分钟}$ .



THIS DOCUMENT IS THE SOLE PROPERTY OF BBJconn Technology Co., Ltd. CORPORATION AND SHOULD NOT BE USED IN WHOLE OR IN PART WITHOUT PRIOR WRITTEN PERMISSION.		PDWG.NO: 0386-2		DR. SGF 23/05/02		深圳市步步精科技有限公司 NAME: DC座 DC-2.5针 全铜 卧式 四脚插 (DC550250-1195-20000H) APPD. JM_Zheng 23/05/02 CHKD. LYX 23/05/02 FINISH: SEE NOTES MAT'L: SEE NOTES SCALE: N/A REV.: A3 UNIT: mm PAGE: 1/1	
.X: $\pm 0.38$	.XX: $\pm 0.25$	.XXX: $\pm 0.13$	X': $\pm 3'$	X'': $\pm 2'$	X'X': $\pm 1'$	PJ. NO.: DC.02.72-12-G010 SIZE: A4 DRW NO.: MAT'L: SEE NOTES	