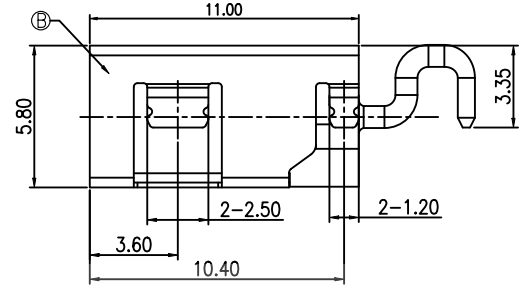
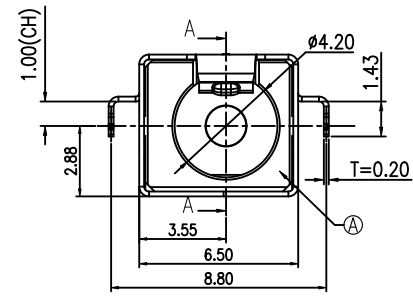
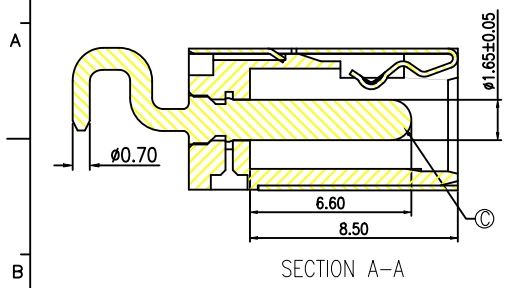
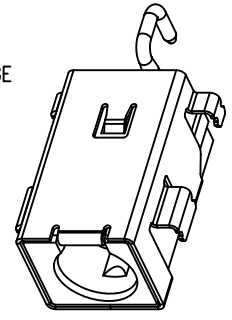
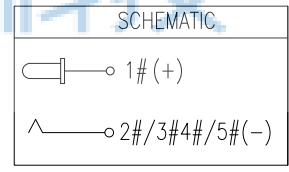
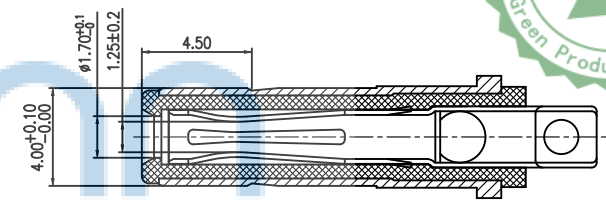
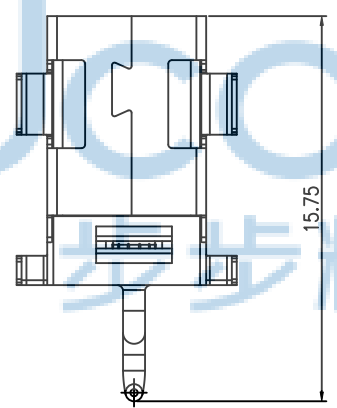
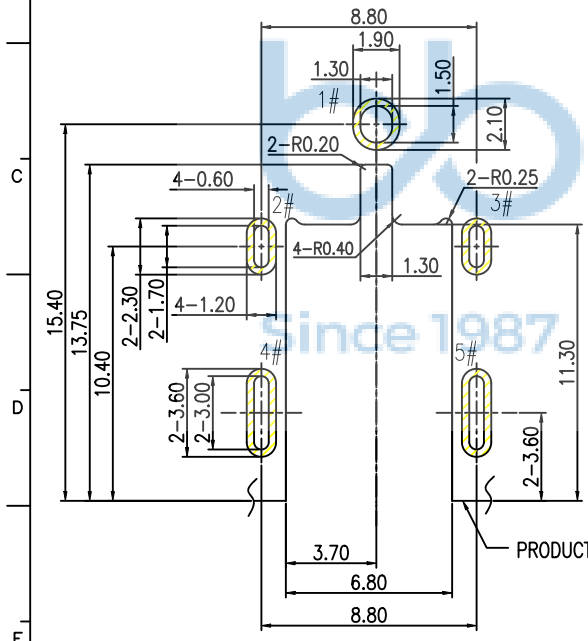


REV.	ECN NO	CONTENT	DATE	ENGINEER
AO			2023 20/04	



- SPECIFICATION:
1. RATING: DC 20V 5A
 2. CONTACT RESISTANCE: 30m Ω MAX.
 3. INSULATION RESISTANCE: 100 M Ω MIN.
 4. WITHSTAND VOLTAGE: 500 VAC
 5. INSERTION FORCE: 3N~30N
 6. EXTRACTION FORCE: 3N~30N
 7. DURABILITY: 5,000 CYCLES



C	CENTER PIN	BRASS	GOLD FLASH/Ni 40u"	1
B	SHELL	COPPER ALLOY	Ni 40u"	1
A	HOUSING	HIGH TEMP.THERMOPLASTIC	BLACK	1
NO.	DESCRIPTION	MATERIAL	REMARKS	QTY

THIS DOCUMENT IS THE SOLE PROPERTY OF BBJconn Technology Co.,Ltd. Corporation AND SHOULD NOT BE USED IN WHOLE OR IN PART WITHOUT PRIOR WRITTEN PERMISSION.

PDWG.NO: 0386-2

DR. SGF 23/05'02

APPD. JM_Zheng 23/05'02

CHKD. LYX 23/05'02

深圳市步步精科技有限公司

.X: ±0.38 X': ±3"
.XX: ±0.25 X'': ±2"
.XXX: ±0.13 X'X': ±1"

NAME: DC座 DC-1.65针 全铜 沉板式 四脚插 (DC4001070-1090-20000H)

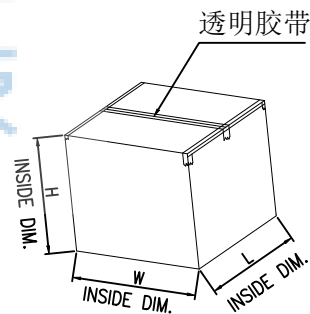
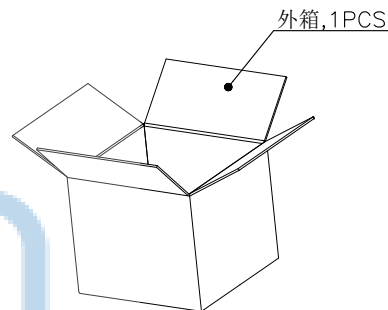
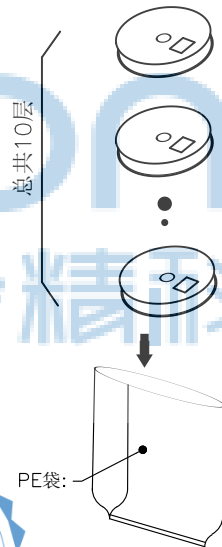
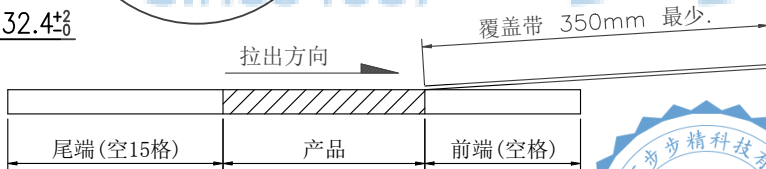
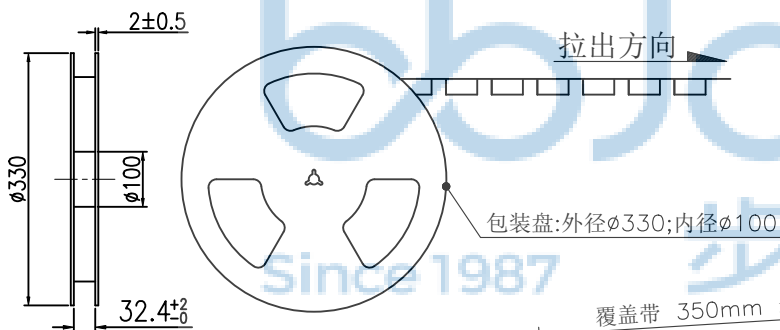
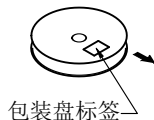
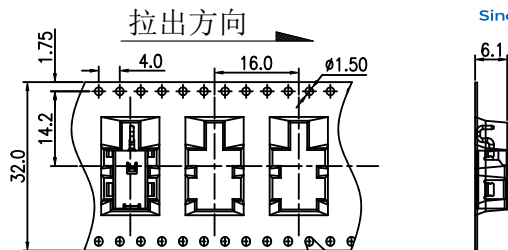
PJ. NO.: DC_03_52-12-G007

SIZE: A4 DRW NO.:

FINISH: SEE NOTES MAT'L.: SEE NOTES

SCALE: N/A REV.: A3 UNIT: mm PAGE: 1/1

REV.	ECN NO.	CONTENT	DATE	ENGINEER
AO			2023 20/04	



备注:

- 材料规格:
 - 载带:T=0.50mm,黑色
 - 包装盘:蓝色
 - 纸箱: L=335,W=335,H=380
- 包装数量:
600PCS/卷, 10卷(6000PCS)/箱
- 上盖带拨离力: 0.1N~0.7N(10~70gf);
拨离角度: 165°~180°;
拨离速度: 300mm/分钟.



THIS DOCUMENT IS THE SOLE PROPERTY OF BBJconn Technology Co., Ltd. Corporation AND SHOULD NOT BE USED IN WHOLE OR IN PART WITHOUT PRIOR WRITTEN PERMISSION.		深圳市步步精科技有限公司 .X: ±0.38 .X': ±3" .XX: ±0.25 .X': ±2" .XXX: ±0.13 .XX': ±1"		NAME: DC座 DC-1.65针 全铜 沉板式 四脚插 (DC400170-1090-20000H)	
APPD.	JM_Zheng 23/05'02	PJ. NO.: DC_03_52-12-G007		SIZE: A4 DRW NO.:	
CHKD.	LYX 23/05'02	FINISH: SEE NOTES		MAT'L.: SEE NOTES	
PDWG.NO:	0386-2	DR.	SGF 23/05'02	SCALE: N/A	REV.: A3 UNIT: mm PAGE: 1/1