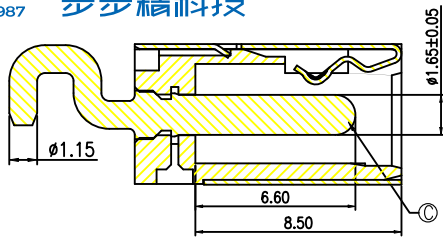
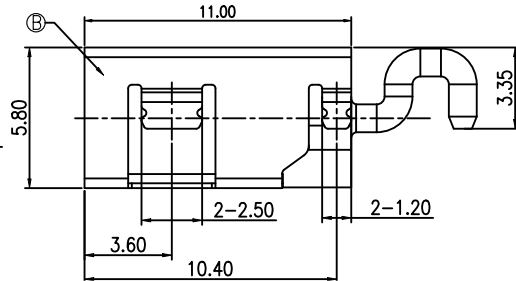
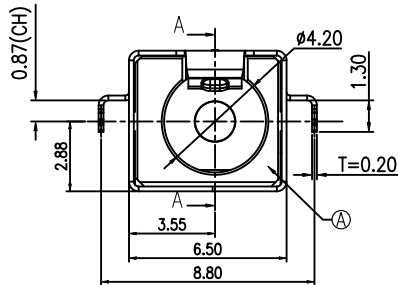


REV.	ECN NO.	CONTENT	DATE	ENGINEER
AO			2023 20/04	

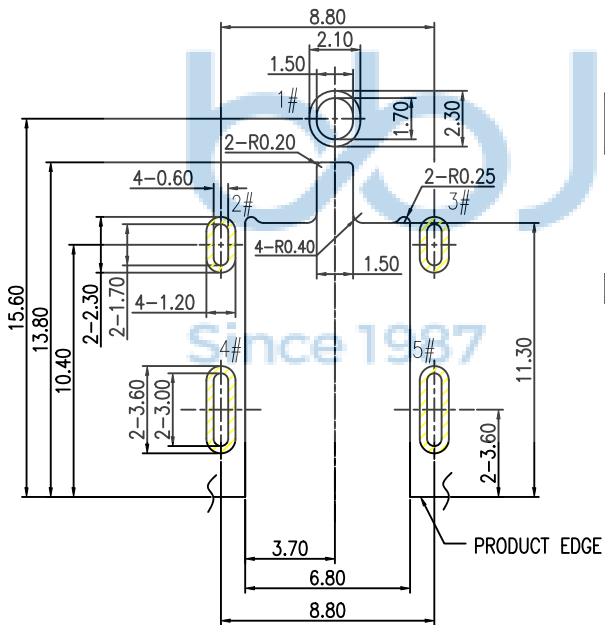


SECTION A-A

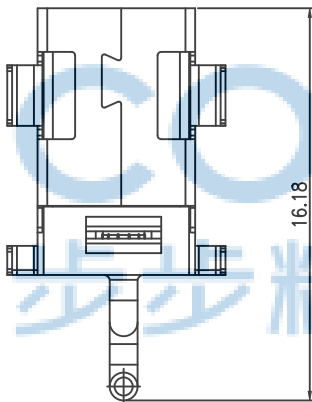


SPECIFICATION:

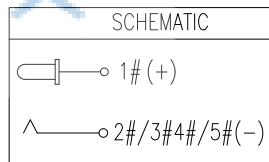
1. RATING: DC 20V 7A
2. CONTACT RESISTANCE: 30m $\Omega$  MAX.
3. INSULATION RESISTANCE: 100 M $\Omega$  MIN.
4. WITHSTAND VOLTAGE: 500 VAC
5. INSERTION FORCE: 3N~30N
6. EXTRACTION FORCE: 3N~30N
7. DURABILITY: 5,000 CYCLES



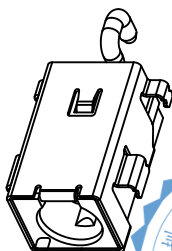
RECOMMENDED PCB LAYOUT(t=1.00)  
TOP VIEW TOLERANCE:±0.05



MATING PLUG



C	CENTER PIN	BRASS	GOLD FLASH"/Ni 40u"	1
B	SHELL	COPPER ALLOY	Ni 40u"	1
A	HOUSING	HIGH TEMP.THERMOPLASTIC	BLACK	1
NO.	DESCRIPTION	MATERIAL	REMARKS	QTY



THIS DOCUMENT IS THE SOLE PROPERTY OF BBJconn Technology Co., Ltd. Corporation AND SHOULD NOT BE USED IN WHOLE OR IN PART WITHOUT PRIOR WRITTEN PERMISSION.

PDWG.NO: 0386-2

DR. SGF 23/05'02

深圳市步步精科技有限公司

APPD. JM\_Zheng 23/05'02

CHKD. LYX 23/05'02

NAME: DC座 DC-1.65寸 全铜 沉板式 四脚插 (DC400170-1092-20000H)

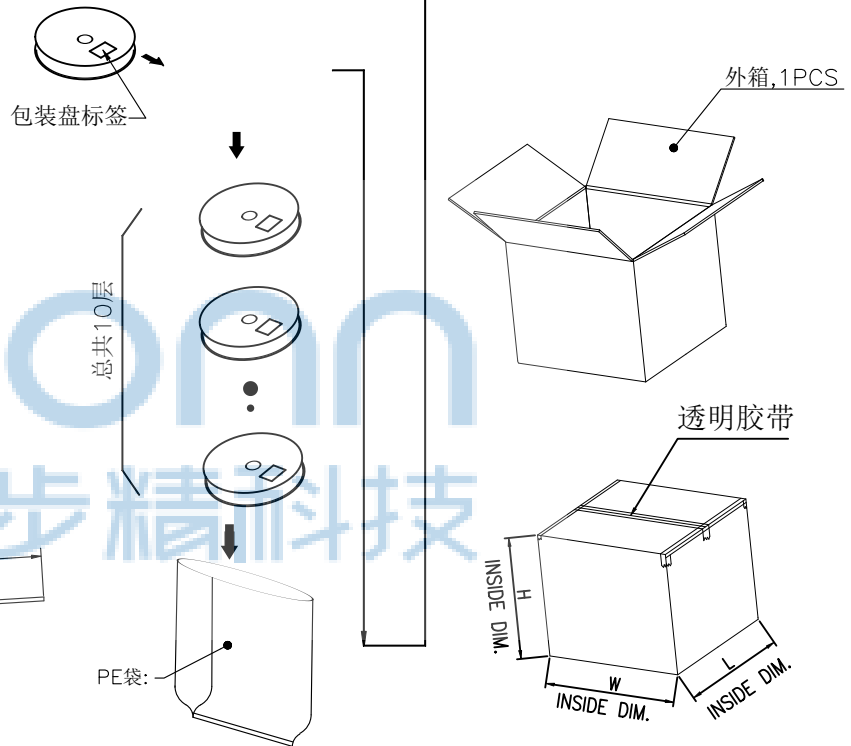
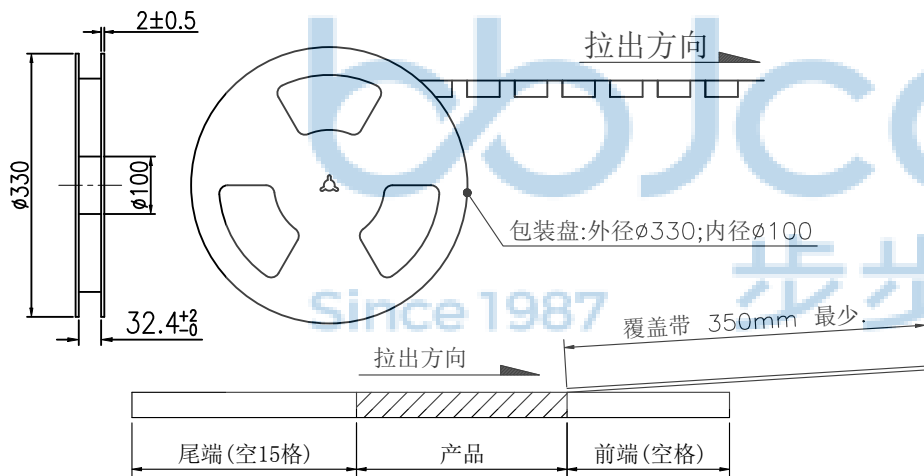
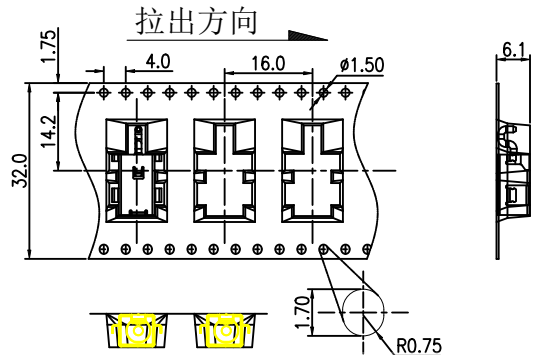
PJ. NO.: DC.03.52-12-G009

SIZE: A4 DRW NO.:

FINISH: SEE NOTES MAT'L.: SEE NOTES

SCALE: N/A REV.: A3 UNIT: mm PAGE: 1/1

REV.	ECN NO.	CONTENT	DATE	ENGINEER
AO			2023 20/04	



备注:

- 材料规格:
  - 载带:T=0.50mm,黑色
  - 包装盘:蓝色
  - 纸箱: L=335,W=335,H=380
- 包装数量:  
600PCS/卷, 10卷(6000PCS)/箱
- 上盖带拔离力: 0.1N~0.7N(10~70gf);  
拔离角度: 165°~180°;  
拔离速度: 300mm/分钟.



THIS DOCUMENT IS THE SOLE PROPERTY OF BBJconn Technology Co., Ltd. Corporation AND SHOULD NOT BE USED IN WHOLE OR IN PART WITHOUT PRIOR WRITTEN PERMISSION.		PDWG.NO: 0386-2		DR. SGF 23/05/02		深圳市步步精科技有限公司 .X: ±0.38 .X': ±3" .XX: ±0.25 .X': ±2" .XXX: ±0.13 .X': ±1"		NAME: DC座 DC-1.65寸 全铜 沉板式 四脚插 (DC400170-1092-20000H)	
APPD.	JM_Zheng 23/05/02	P.J. NO.: DC.03.52-12-G009		SIZE: A4 DRW NO.:		FINISH: SEE NOTES		MAT'L: SEE NOTES	
SCALE: N/A	REV.: A3	UNIT: mm	PAGE: 1/1						