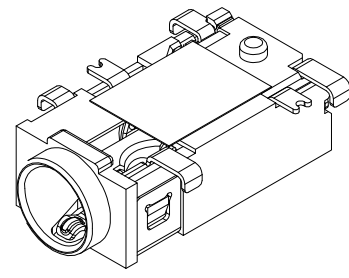
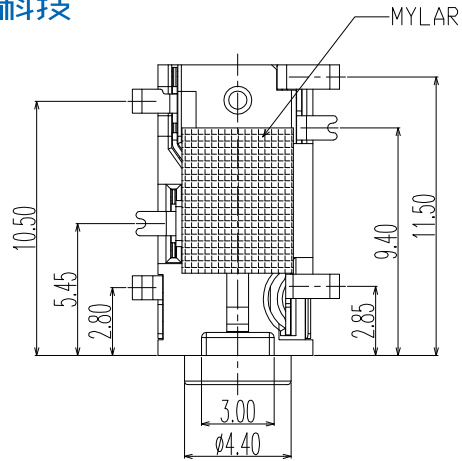
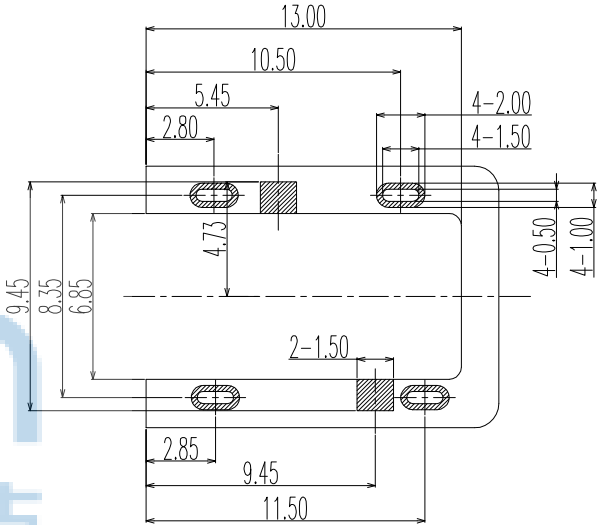
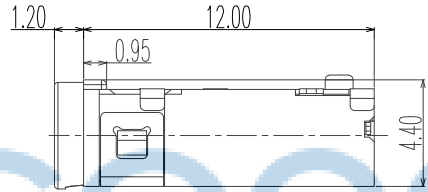
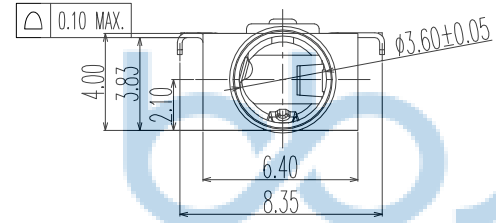


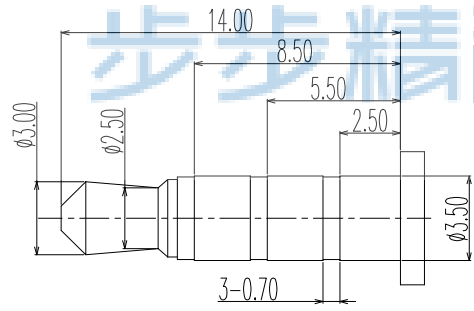
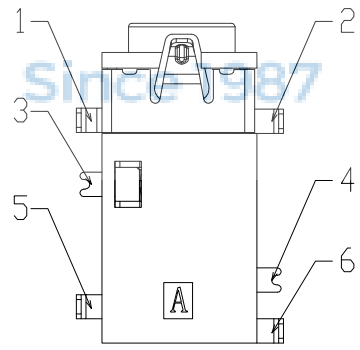
REV.	ECN NO	CONTENT	DATE	ENGINEER
A0			2023 20/04	



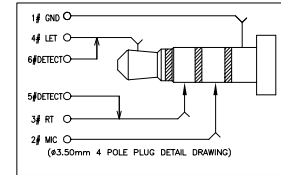
3D VIEW



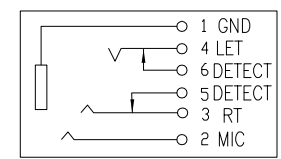
P.C.B LAYOUT
TOP VIEW



(ø3.50mm 4 POLE PLUG DETAIL DRAWING)



(ø3.50mm 4 POLE PLUG DETAIL DRAWING)



SCHEMATIC



ITEM	NAME	QTY	DESCRIPTION	NOTE
7	TERMINAL 6#	1	BRASS; NICKEL UNDER PLATING OVERALL;GOLD PLATING ON SOLDER AREA ;GOLD PLATING ON CONTACT AREA	
6	TERMINAL 5#	1		
5	TERMINAL 4#	1		
4	TERMINAL 3#	1	PHOSPHOR BRONZE; NICKEL UNDER PLATING OVERALL;GOLD PLATING ON SOLDER AREA ;GOLD PLATING ON CONTACT AREA	
3	TERMINAL 2#	1		
2	TERMINAL 1#	1	PHOSPHOR BRONZE; THE BOTTOM OF THE NICKEL; THE WHOLE GOLD PLATING.	
1	HOUSING	1	HIGHT TEMPERATURE PLASTIC COLOR BLACK	

THIS DOCUMENT IS THE SOLE PROPERTY OF BBJconn Technology Co.,Ltd. Corporation AND SHOULD NOT BE USED IN WHOLE OR IN PART WITHOUT PRIOR WRITTEN PERMISSION.

PDWG.NO: 0076-1

DR. SGF 23/05/02

APPD. JM_Zheng 23/05/02

CHKD. LYX 23/05/02

NAME: 3.5耳机座 有头 板上型 四脚插两脚贴 四节 (PJ35A067-F06G1BR-A)

PJ. NO.: PJ.04.22-01-3014

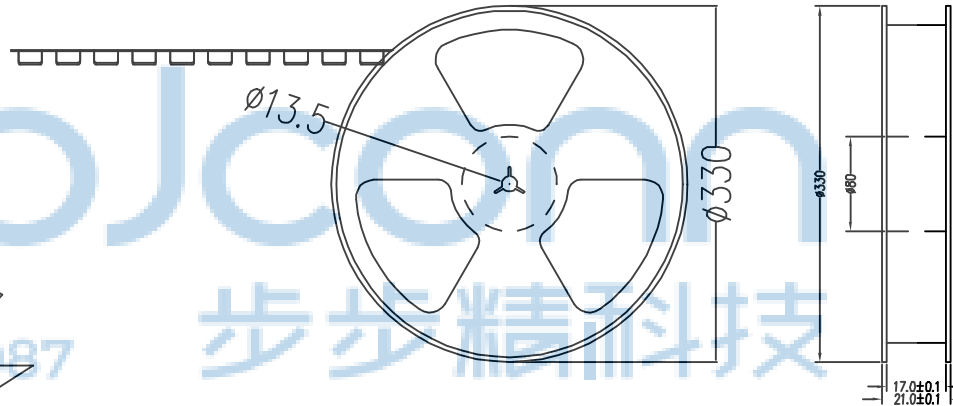
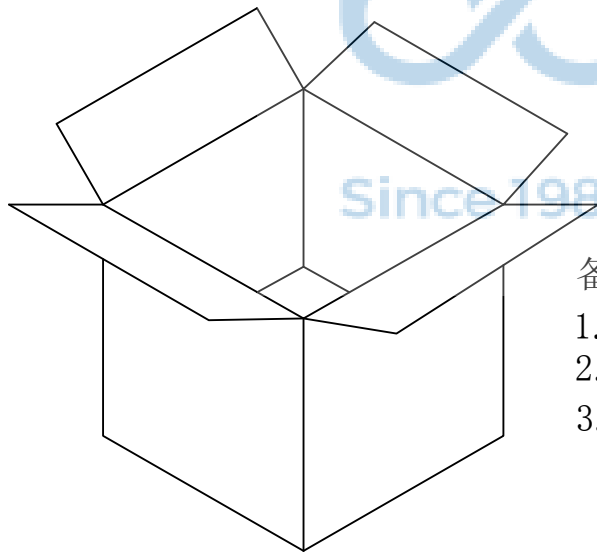
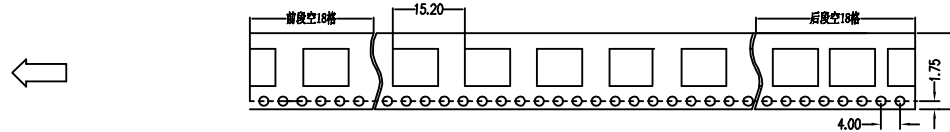
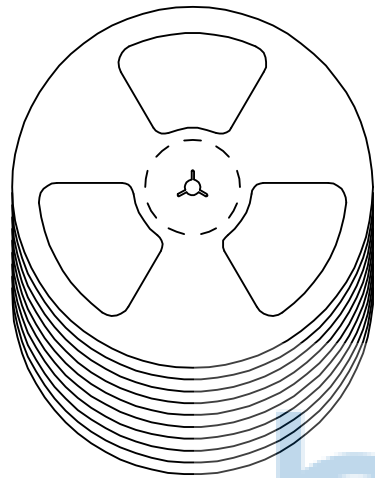
SIZE: A4 | DRW NO.:

FINISH: SEE NOTES | MAT'L.: SEE NOTES

SCALE: N/A | REV.: A0 | UNIT: mm | PAGE: 1/1

深圳市步步精科技有限公司

REV.	ECN NO.	CONTENT	DATE	ENGINEER
A0			2023 20/04	



备注:

1. 包装数量: 1000/PCS/卷, 10卷/箱或15卷/箱。
2. 包装袋长度: 每卷前后各空10-20个空格, 中间包装。
3. 材质:
载体: 聚丙烯 (PS), 阻抗 $10^{6-9} \Omega$
上带: 聚乙烯 (PET), 阻抗 $10^{6-11} \Omega$
卷盘: 聚苯乙烯。

纸箱规格: 345*345*23MM

纸箱规格: 345*345*35MM

THIS DOCUMENT IS THE SOLE PROPERTY OF BBJconn Technology Co.,Ltd. Corporation AND SHOULD NOT BE USED IN WHOLE OR IN PART WITHOUT PRIOR WRITTEN PERMISSION.		深圳市步步精科技有限公司 .X: ± 0.38 .X': $\pm 3'$.XX: ± 0.25 .X'': $\pm 2''$.XXX: ± 0.13 .X''': $\pm 1'$		NAME: 3.5耳机座 有头 板上型 四脚插两脚贴 四节 (PJ35A067-F06G1BR-A)	
APPD.	JM_Zheng	23/05'02	PJ. NO.: PJ.04.22-01-3014		
CHKD.	LYX	23/05'02	SIZE: A4 DRW NO.:		
PDWG.NO:	0076-1	DR.	SGF	23/05'02	FINISH: SEE NOTES MAT'L.: SEE NOTES
			SCALE: N/A	REV.: A0	UNIT: mm PAGE: 1/1