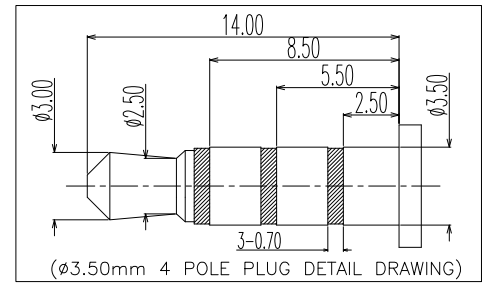
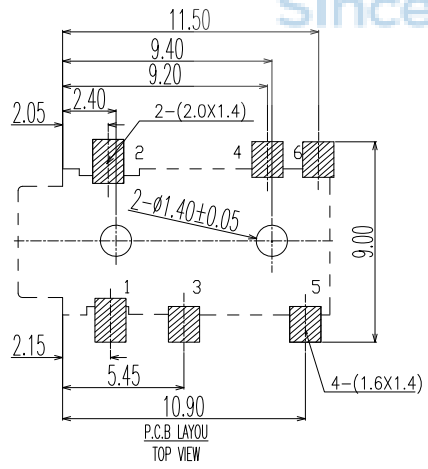
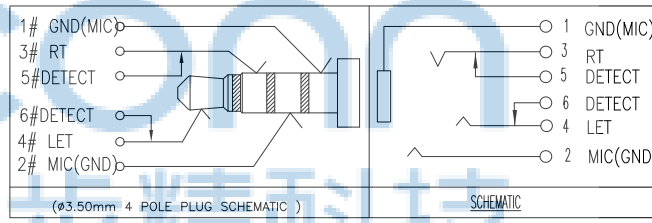
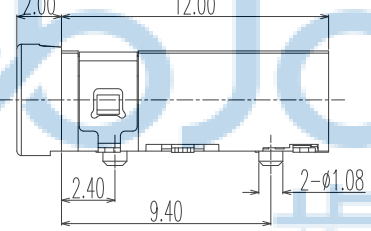
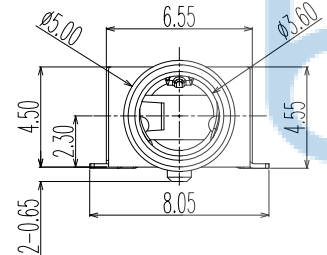
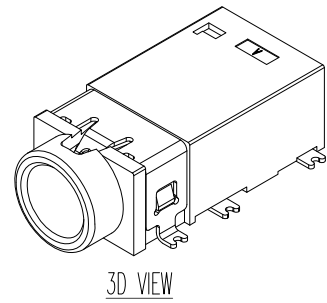
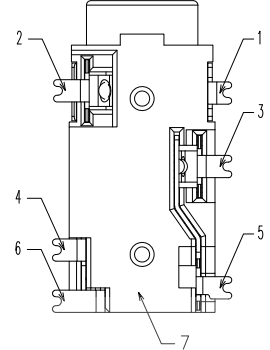
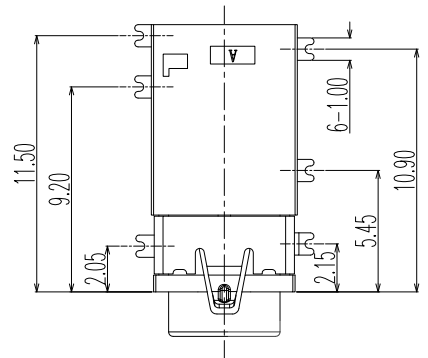


REV.	ECN NO	CONTENT	DATE	ENGINEER
A0			2023 20/04	

- CONTACT CURRENT RATING: 1A.
- CONTACT RESISTANCE: 50 mΩ MAX.;
- INSULATION RESISTANCE: 100MΩ MIN.;
- DIELECTRIC WITHSTANDING: 500V AC MIN.;
- DURABILITY: 5,000 CYCLES MIN.;
- CONNECTOR MATING FORCES: 30N MAX.;
- CONNECTOR UNMATING FORCES: 3N MIN.;



ITEM	NAME	Q'TY	DESCRIPTION	NOTE
7	HOUSING	1	PA9T; COLOR BLACK	
6	TERMINAL 6#	1	COPPER ALLOY; NICKEL UNDER PLATING OVERALL;GOLD FLASH PLATING ON SOLDER AREA	T=0.20mm
5	TERMINAL 5#	1	COPPER ALLOY; NICKEL UNDER PLATING OVERALL;GOLD FLASH PLATING ON SOLDER AREA	T=0.20mm
4	TERMINAL 4#	1	STAINLESS STEEL; NICKEL UNDER PLATING OVERALL;GOLD FLASH PLATING ON SOLDER AREA ;GOLD FLASH PLATING ON CONTACT AREA	T=0.20mm
3	TERMINAL 3#	1	COPPER ALLOY; NICKEL UNDER PLATING OVERALL;GOLD FLASH PLATING ON SOLDER AREA ;GOLD FLASH PLATING ON CONTACT AREA	T=0.20mm
2	TERMINAL 2#	1	COPPER ALLOY; NICKEL UNDER PLATING OVERALL;GOLD FLASH PLATING ON SOLDER AREA ;GOLD FLASH PLATING ON CONTACT AREA	T=0.20mm
1	TERMINAL 1#	1	COPPER ALLOY; NICKEL UNDER PLATING OVERALL;GOLD FLASH PLATING OVERALL;	T=0.20mm

THIS DOCUMENT IS THE SOLE PROPERTY OF BBJconn Technology Co.,Ltd. Corporation AND SHOULD NOT BE USED IN WHOLE OR IN PART WITHOUT PRIOR WRITTEN PERMISSION.

PDWG.NO: 0076-1 DR. SGF 23/05'02

NAME: 3.5耳机座 有头 六脚贴片 带柱 四节 (PJ35A063-F06G1BR-A)

PJ. NO.: PJ.01.22-01-3008

SIZE: A4 | DRW NO.:

FINISH: SEE NOTES | MAT'L.: SEE NOTES

SCALE: N/A | REV.: A0 | UNIT: mm | PAGE: 1/1

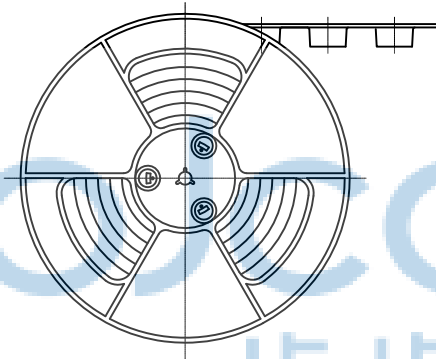
**深圳市步步精科技有限公司**

1 载带=1000PCS

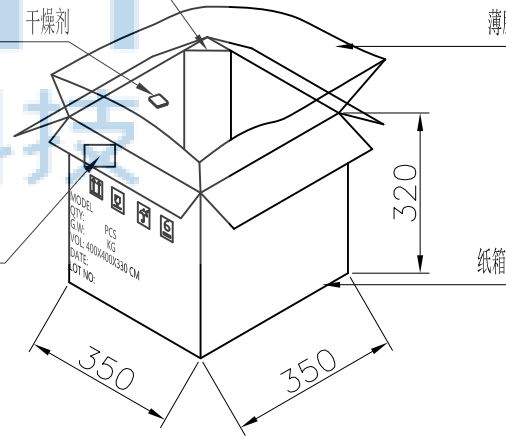
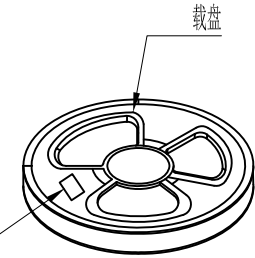
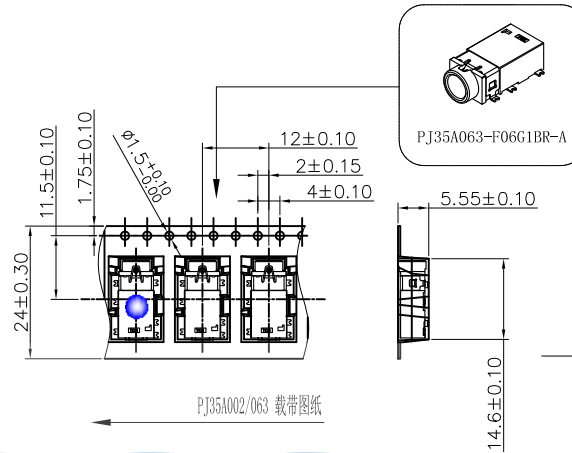
1 外箱=1000PCS X 10 盘载带=10000PCS



载带引出方向  
\* 载带包装时请依此引出方向为标准



卷盘包装示意



备注:

1. 每箱内必须放干燥剂;
2. 每箱必须用PE带包装;
3. 参考《高温材料管理规定》进行作业;
4. 条码+二维码标签和交货标签按客户要求制作;



包材名称	材料及厚度(mm)	规格(mm)
PJ35A002/063 载带	P.S(白色透明)T=0.30	12500X24.00X5.10
载盘	HI P.S(蓝色)	φ330X28.40
自粘带	PET(白色透明)	W=21.30 T=0.06
PE-375X450X0.06-A	PE(白色透明)	450X375X0.06
ZK-350X350X320-A	K=K t=4	400X400X330
三角板	A=A+ t=4	260X300

THIS DOCUMENT IS THE SOLE PROPERTY OF BBJconn Technology Co., Ltd. Corporation AND SHOULD NOT BE USED IN WHOLE OR IN PART WITHOUT PRIOR WRITTEN PERMISSION.		深圳市步步精科技有限公司 .X: ±0.38 .X': ±3" .XX: ±0.25 .X": ±2" .XXX: ±0.13 .XX': ±1"	
APPD.	JM_Zheng	23/05'02	NAME: 3.5耳机座 有头 六脚贴片 带柱 四节 (PJ35A063-F06G1BR-A)
CHKD.	LYX	23/05'02	PJ. NO.: PJ.01.22-01-3008
DR.	SGF	23/05'02	SIZE: A4   DRW NO.:
PDWG.NO: 0076-1		FINISH: SEE NOTES   MAT'L.: SEE NOTES	
		SCALE: N/A   REV.: A0   UNIT: mm   PAGE: 1/1	