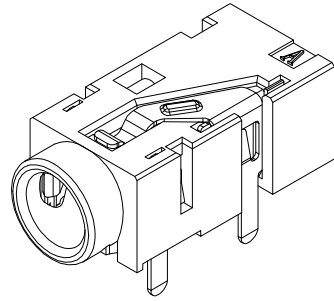
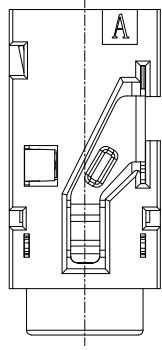
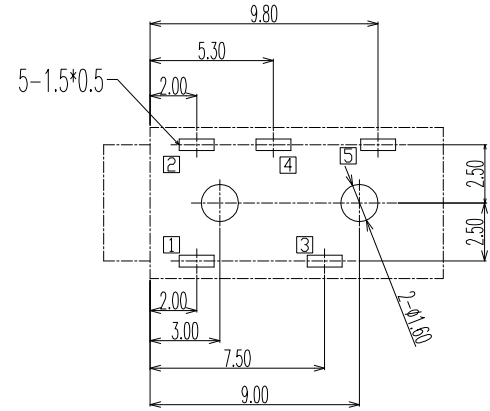
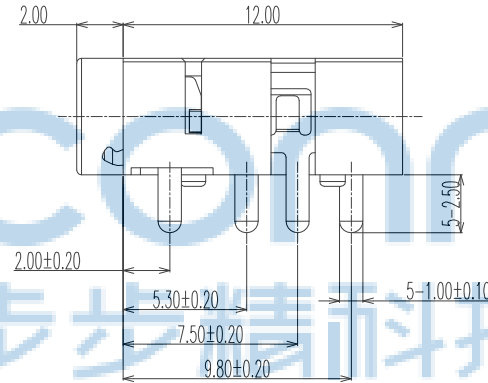
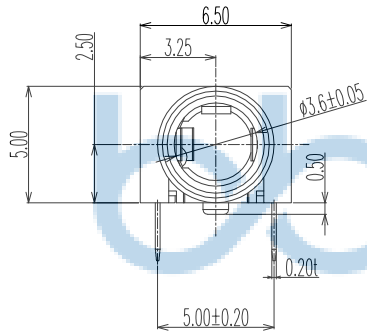


REV.	ECN NO.	CONTENT	DATE	ENGINEER
A0			2023 20/04	

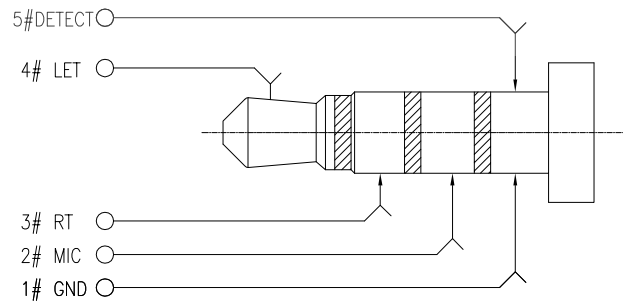
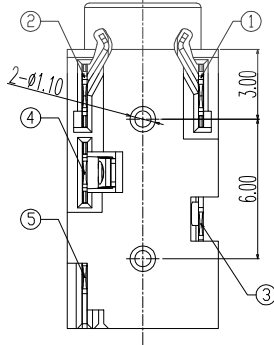


3D VIEW

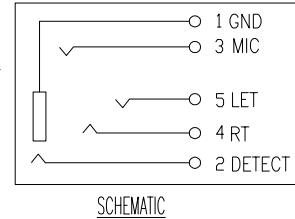
- CONTACT CURRENT RATING: 1A.
- CONTACT RESISTANCE: 100 mΩ MAX.;
- INSULATION RESISTANCE: 100MΩ MIN.;
- DIELECTRIC WITHSTANDING: 500V AC MIN.;
- DURABILITY: 5,000 CYCLES MIN.;
- CONNECTOR MATING FORCES: 30N (3Kgf) MAX.;
- CONNECTOR UNMATING FORCES: 3N(0.3Kgf) MIN.;



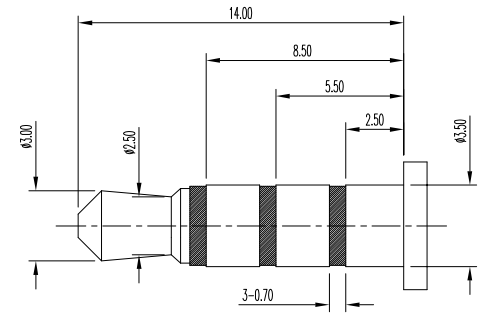
P.C.B LAYOUT  
TOP VIEW



(φ3.50mm 4 POLE PLUG DETAIL DRAWING)



SCHEMATIC



(φ3.50mm 4 POLE PLUG)



ITEM	NAME	Q'TY	DESCRIPTION	NOTE
6	HOUSING	1	HIGHT TEMPERATURE PLASTIC COLOR BLACK	
5	CONTACT 5#	1	STAINLESS STEEL; THE BOTTOM OF THE NICKEL; THE WHOLE TIN PLATING.	T=0.2mm
4	CONTACT 4#	1	PHOSPHOR BRONZE; THE BOTTOM OF THE NICKEL; THE WHOLE TIN PLATING.	T=0.2mm
3	CONTACT 3#	1	PHOSPHOR BRONZE; THE BOTTOM OF THE NICKEL; THE WHOLE TIN PLATING.	T=0.2mm
2	CONTACT 2#	1	PHOSPHOR BRONZE; THE BOTTOM OF THE NICKEL; THE WHOLE TIN PLATING.	T=0.2mm
1	CONTACT 1#	1	PHOSPHOR BRONZE; THE BOTTOM OF THE NICKEL; THE WHOLE TIN PLATING.	T=0.2mm

THIS DOCUMENT IS THE SOLE PROPERTY OF BBJconn Technology Co.,Ltd. Corporation AND SHOULD NOT BE USED IN WHOLE OR IN PART WITHOUT PRIOR WRITTEN PERMISSION.  
PDWG.NO: 0076-1

**深圳市步步精科技有限公司**

NAME: 3.5耳机座 有头 五脚插 带柱 四节 (PJ35A046-F05T1BP-A)

PJ. NO.: PJ.02.21-01-3006

SIZE: A4 DRW NO.:

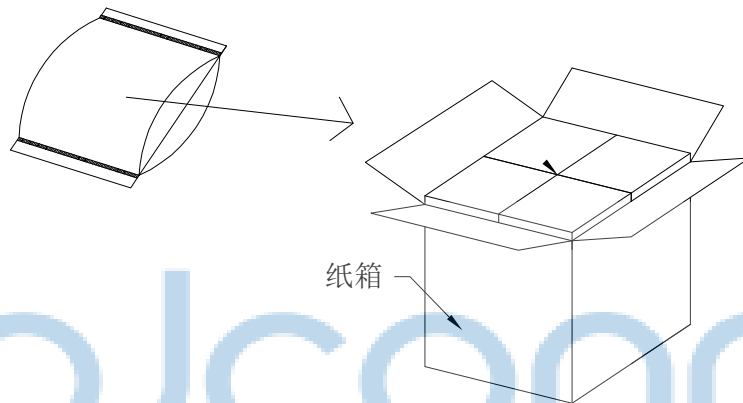
FINISH: SEE NOTES MAT'L.: SEE NOTES

SCALE: N/A REV.: A0 UNIT: mm PAGE: 1/1

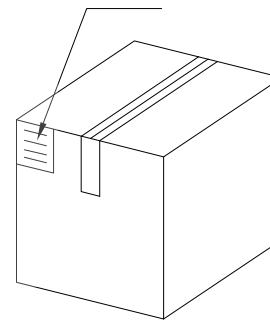
APPD. JM\_Zheng 23/05/02  
CHKD. LYX 23/05/02  
DR. SGF 23/05/02

REV.	ECN NO.	CONTENT	DATE	ENGINEER
A0			2023 20/04	

PE袋规格: 260\*185


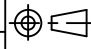


成品标签



1. 包装要求:

- 1.1 每个PE袋包装1000pcs;
- 1.2 每1袋放一小纸盒;
- 1.3 每20个小纸盒放一个纸箱, 共计20000pcs;
- 1.4 纸箱外贴上标签

THIS DOCUMENT IS THE SOLE PROPERTY OF BBJconn Technology Co.,Ltd. Corporation AND SHOULD NOT BE USED IN WHOLE OR IN PART WITHOUT PRIOR WRITTEN PERMISSION. PDWG.NO: 0076-1	 深圳市步步精科技有限公司		NAME: 3.5耳机座 有头 五脚插 带柱 四节 (PJ35A046-F05T1BP-A)		
	.X: ±0.38 X": ±3" .XX: ±0.25 .X": ±2" .XXX: ±0.13 .XX": ±1"		PJ. NO.: PJ.02.21-01-3006		
	APPD. JM_Zheng 23/05'02	 SIZE: A4 DRW NO.:		FINISH: SEE NOTES MAT'L.: SEE NOTES	
	CHKD. LYX 23/05'02	DR. SGF 23/05'02	SCALE: N/A	REV.: A0	UNIT: mm PAGE: 1/1