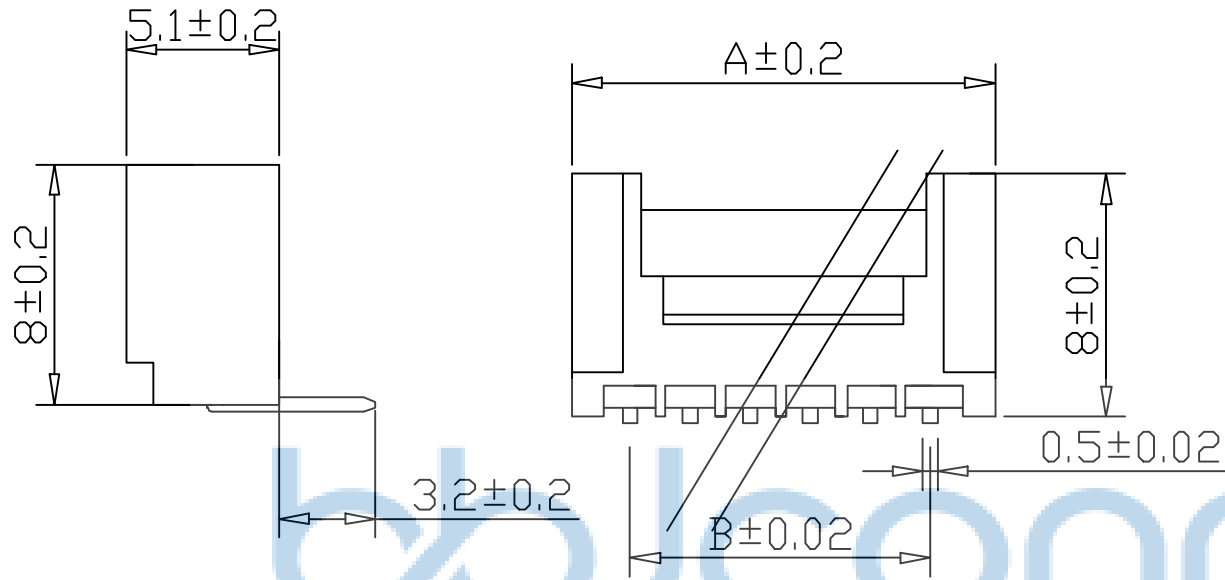
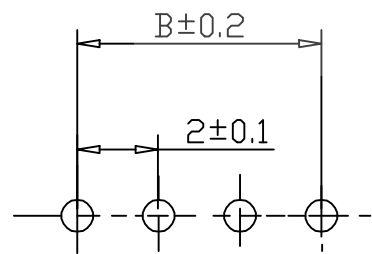
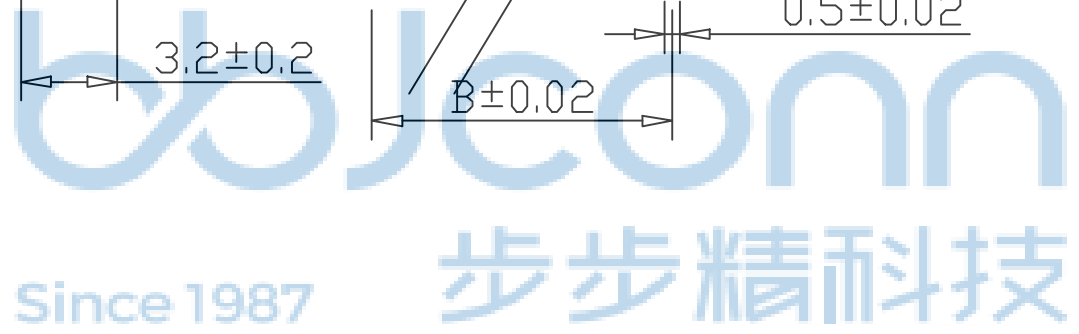


REV.	ECN NO	CONTENT	DATE	ENGINEER
A0				



使用温度范围 (Ambient temperature Range): -25° ~ +85°  
 适用基板厚度 (Applicable PCboard thickness): 0.8mm ~ 1.6mm  
 额定电压 (Voltage rating): 250V AC, DC  
 额定电流 (Current rating): 2A  
 接触电阻 (Contact Resistance): ≤ 0.01Ω  
 绝缘电阻 (Insulation Resistance): ≥ 1000MΩ  
 耐压 (Withstand Voltage): 800V/min  
 材料 (Material)  
 1. 基座: PA66 FV2  
 2. 插针: 黄铜

孔位	A	B
2	6.0	2.0
3	8.0	4.0
4	10.0	6.0
5	12.0	8.0
6	14.0	10.0
7	16.0	12.0
8	18.0	14.0
9	20.0	16.0
10	22.0	18.0
11	24.0	20.0
12	26.0	22.0
13	28.0	24.0
14	30.0	26.0
15	32.0	28.0



范围	>0-3	>3-18	>18-50	>50-100
公差	±0.15	±0.2	±0.3	±0.5



THIS DOCUMENT IS THE SOLE PROPERTY OF BBJconn Technology Co., Ltd. Corporation AND SHOULD NOT BE USED IN WHOLE OR IN PART WITHOUT PRIOR WRITTEN PERMISSION.

PDWG.NO: 0102-1

APPD. JM\_Zheng  
CHKD. LYX  
DR. SGF

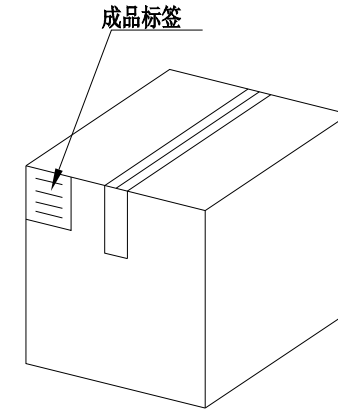
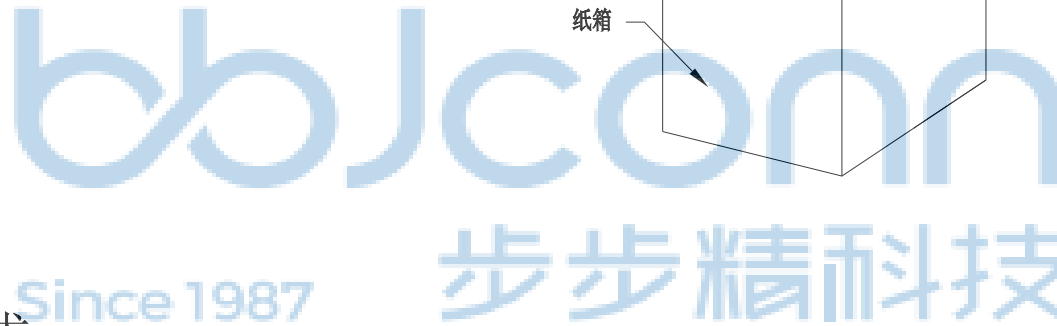
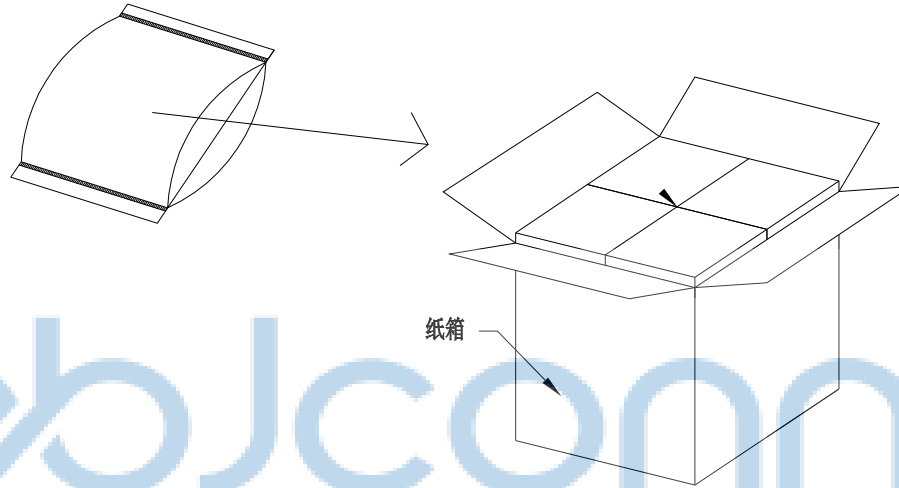
NAME: HY-5AW (2.0-5P) 弯针 带扣 米黄色  
PJ. NO.: WT.01.63-23-1001  
SIZE: A4 DRW NO.:

FINISH: SEE NOTES MAT'L.: SEE NOTES  
SCALE: N/A REV.: A3 UNIT: mm PAGE: 1/2

深圳市步步精科技有限公司

REV.	ECN NO	CONTENT	DATE	ENGINEER
A0				

PE袋规格:\*\*\*X\*\*\* (以实际出货为准)



1. 包装要求:

- 1.1 每PE袋包装 1000 pcs;
- 1.2 每1袋放一小纸盒;
- 1.3 每20个小纸盒放一个纸箱, 共计20000PCS
- 1.4 纸箱外贴上标签



THIS DOCUMENT IS THE SOLE PROPERTY OF BBJconn Technology Co.,Ltd. Corporation AND SHOULD NOT BE USED IN WHOLE OR IN PART WITHOUT PRIOR WRITTEN PERMISSION.		深圳市步步精科技有限公司 .X: ±0.38 X': ±3' NAME: .XX: ±0.25 .X': ±2' HY-5AW (2.0-5P) 弯针 带扣 米黄色 .XXX: ±0.13 .XX': ±1'			
APPD.	JM_Zheng	PJ. NO.: WT.01.63-23-1001 SIZE: A4 DRW NO.:			
CHKD.	LYX				
PDWG.NO:	0102-1	DR.	SGF	FINISH: SEE NOTES	MAT'L.: SEE NOTES
		SCALE: N/A	REV.: A3	UNIT: mm	PAGE: 2/2