

使用温度范围 (Ambient temperature Range): $-25^{\circ} \sim +85^{\circ}$

适用基板厚度 Applicable PCboard thickness): 1.6mm

额定电压 (Voltage rating): 250V AC, DC

额定电流 (Current rating): 3A

接触电阻 Contact Resistance): 0.02

绝缘电阻 (Insulation Resistance): 1000M

耐压 (Withstand Voltage): 1000V/min

材料 (Material)

1. 基座: PA66 FV2
2. 插针: 黄铜

孔位	A	B
2	7.5	2.5
3	10	5.0
4	12.5	7.5
5	15.0	10.0
6	17.5	12.5
7	20.0	15.0
8	22.5	17.5
9	25.0	20.0
10	27.5	22.5
11	30.0	25.0
12	32.5	27.5
13	35.0	30.0
14	37.5	32.5
15	40.0	35.0
16	42.5	37.5

公差	>0-3	>3-18	>18-50	>50-100
范围	±0.15	±0.2	±0.3	±0.5
材料	PA66 94V-2 (0) or ul			



THIS DOCUMENT IS THE SOLE PROPERTY OF BBJconn Technology Co., Ltd. CORPORATION AND SHOULD NOT BE USED IN WHOLE OR IN PART WITHOUT PRIOR WRITTEN PERMISSION.

PDWG.NO: 0102-1

APPD. JM_Zheng
CHKD. LYX
DR. SGF

深圳市步步精科技有限公司

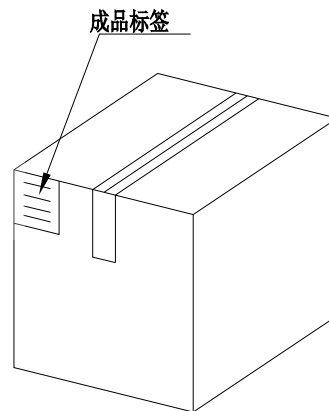
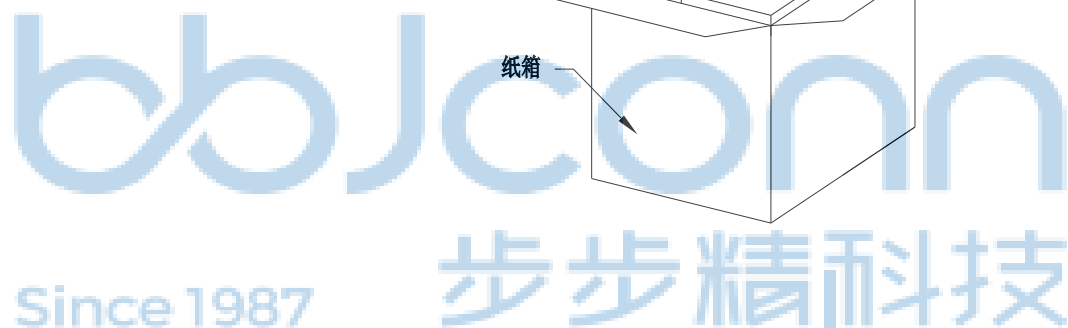
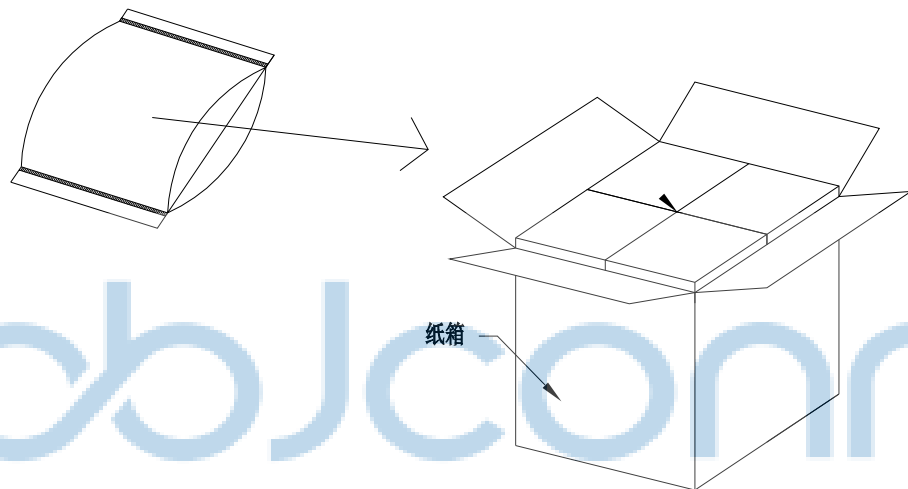
NAME: XH-2A (2.54-2P) 直针 米黄色

PJ. NO.: WT.02.61-11-1001
SIZE: A4 DRW NO.:

FINISH: SEE NOTES MAT'L.: SEE NOTES
SCALE: N/A REV.: A0 UNIT: mm PAGE: 1/2

REV.	ECN NO	CONTENT	DATE	ENGINEER
A0				

PE袋规格:***X*** (以实际出货为准)



1. 包装要求:

- 1.1 每PE袋包装2000 pcs;
- 1.2 每1袋放一小纸盒;
- 1.3 每20个小纸盒放一个纸箱, 共计40000PCS
- 1.4 纸箱外贴上标签



THIS DOCUMENT IS THE SOLE PROPERTY OF BBJconn Technology Co.,Ltd. Corporation AND SHOULD NOT BE USED IN WHOLE OR IN PART WITHOUT PRIOR WRITTEN PERMISSION.		深圳市步步精科技有限公司 .X: ±0.38 X': ±3" .XX: ±0.25 .X": ±2" .XXX: ±0.13 .XX': ±1"	
APPD.	JM_Zheng	NAME: XH-2A (2.54-2P) 直针 米黄色	
CHKD.	LYX	PJ. NO.: WT.02.61-11-1001	
PDWG.NO:	0102-1	SIZE: A4 DRW NO.:	
DR.	SGF	FINISH: SEE NOTES MAT'L.: SEE NOTES	
		SCALE: N/A REV.: A0 UNIT: mm PAGE: 2/2	