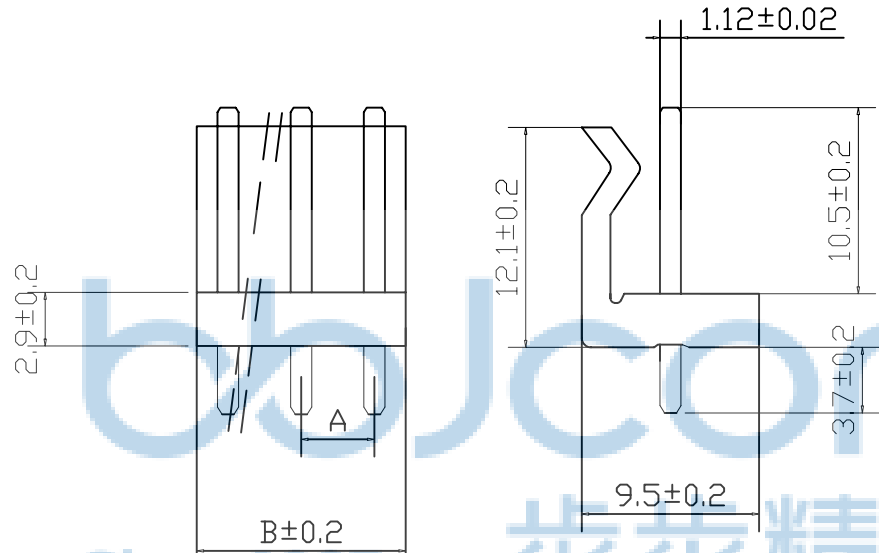


REV.	ECN NO.	CONTENT	DATE	ENGINEER
A0				

使用温度范围 (Ambient temperature Range):  $-25^{\circ} \sim +85^{\circ}$   
 适用线规 (Applicable Wires): AWG 22#~18#  
 适用基板厚度 (Applicable PCboard thickness): 1.6mm  
 额定电压 (Voltage rating): 250V AC, DC  
 额定电流 (Current rating): 5A  
 接触电阻 (Contact Resistance):  $\leq 0.01 \Omega$   
 绝缘电阻 (Insulation Resistance):  $\geq 1000M \Omega$   
 耐压 (Withstand Voltage): 1000V/min  
 材料 (Material)  
 1. 基座: PA66 FV2  
 2. 插针: 黄铜



孔位	A	B
2	3.96	7.86
3	7.92	11.82
4	11.88	15.78
5	15.84	19.74
6	19.80	23.7
7	23.76	27.66
8	27.72	31.62
9	31.68	35.58
10	35.64	39.54
11	39.6	43.5
12	43.56	47.46
13	47.52	51.42
14	51.48	55.38
15	55.44	59.34

范围	>0-3	>3-18	>18-50	>50-100
公差	±0.15	±0.2	±0.3	±0.5



THIS DOCUMENT IS THE SOLE PROPERTY OF BBJconn Technology Co., Ltd. Corporation AND SHOULD NOT BE USED IN WHOLE OR IN PART WITHOUT PRIOR WRITTEN PERMISSION.

PDWG.NO: 0102-1

DR. SGF

APPD. JM\_Zheng

CHKD. LYX

深圳市步步精科技有限公司

NAME: CH-2A (3.96-2P) 直针 透明色

PJ. NO.: WT.03.71-11-1001

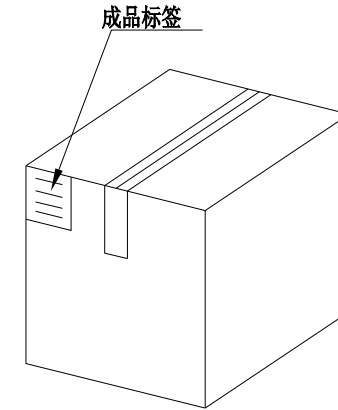
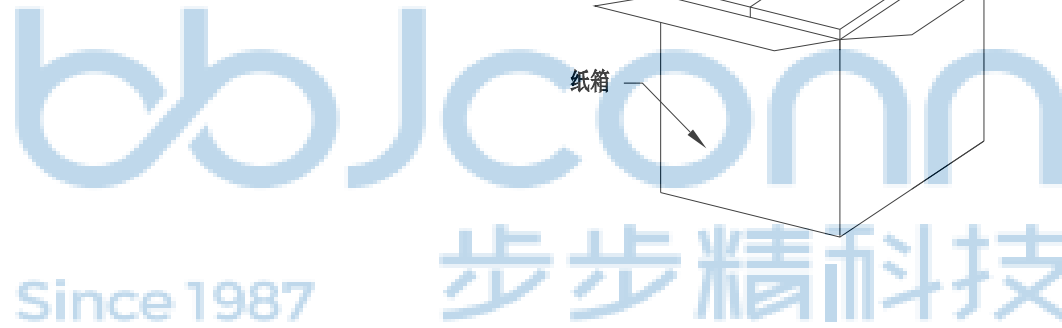
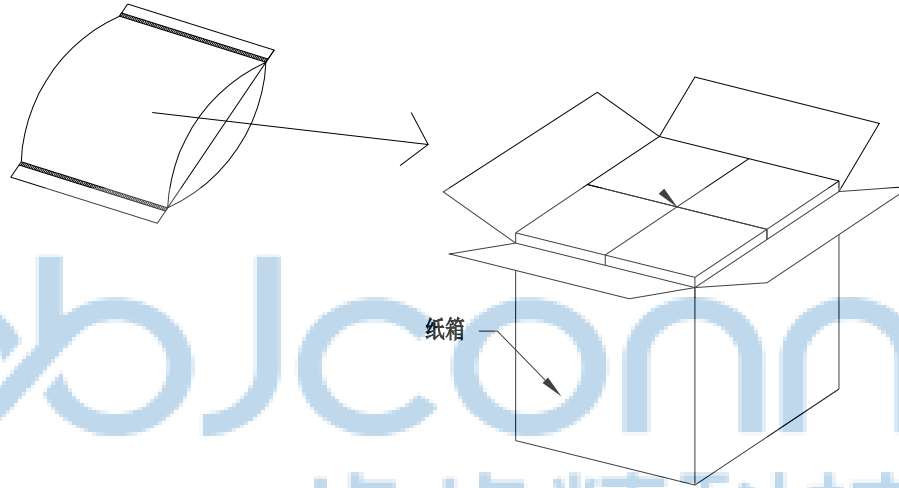
SIZE: A4 DRW NO.:

FINISH: SEE NOTES MAT'L.: SEE NOTES

SCALE: N/A REV.: A0 UNIT: mm PAGE: 1/2

REV.	ECN NO	CONTENT	DATE	ENGINEER
A0				

PE袋规格:\*\*\*X\*\*\* (以实际出货为准)



1. 包装要求:

- 1.1 每PE袋包装 1000 pcs;
- 1.2 每1袋放一小纸盒;
- 1.3 每20个小纸盒放一个纸箱, 共计20000PCS
- 1.4 纸箱外贴上标签



THIS DOCUMENT IS THE SOLE PROPERTY OF BBJconn Technology Co.,Ltd. Corporation AND SHOULD NOT BE USED IN WHOLE OR IN PART WITHOUT PRIOR WRITTEN PERMISSION.		深圳市步步精科技有限公司 .X: ±0.38    X': ±3' .XX: ±0.25    X'': ±2' .XXX: ±0.13    XX': ±1'		NAME: CH-2A ( 3.96-2P ) 直针 透明色	
APPD.	JM_Zheng	PJ. NO.: WT.03.71-11-1001 SIZE: A4 DRW NO.:		FINISH: SEE NOTES    MAT'L.: SEE NOTES	
CHKD.	LYX	SCALE: N/A		REV.: A0	UNIT: mm
PDWG.NO:	0102-1	DR.	SGF		PAGE: 2/2