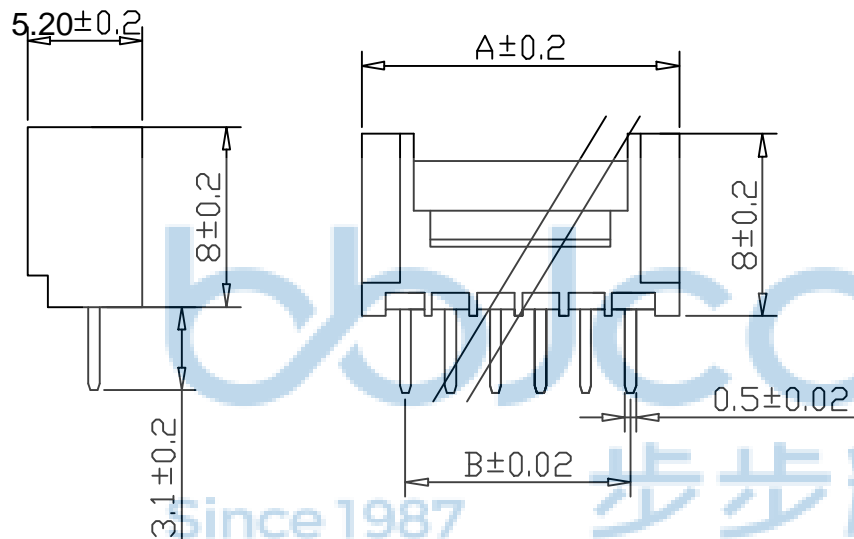


使用温度范围 (Ambient temperature Range): $-25^{\circ} \sim +85^{\circ}$
 适用线规 (Applicable Wires): AWG 28#~22#
 适用基板厚度 (Applicable PCboard thickness): 0.8mm~1.6mm
 额定电压 (Voltage rating): 500V AC, DC
 额定电流 (Current rating): 2A
 接触电阻 (Contact Resistance): $\leq 0.03 \Omega$
 绝缘电阻 (Insulation Resistance): $\geq 500M \Omega$
 耐压 (Withstand Voltage): 500V/min
 材料 (Material)

1. 基座: PA66
2. 插针: 黄铜



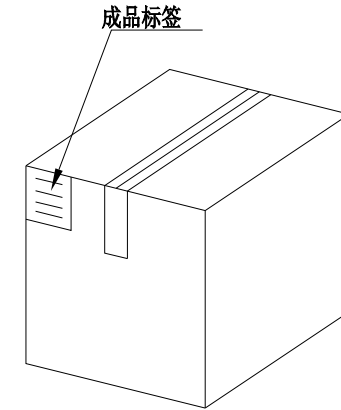
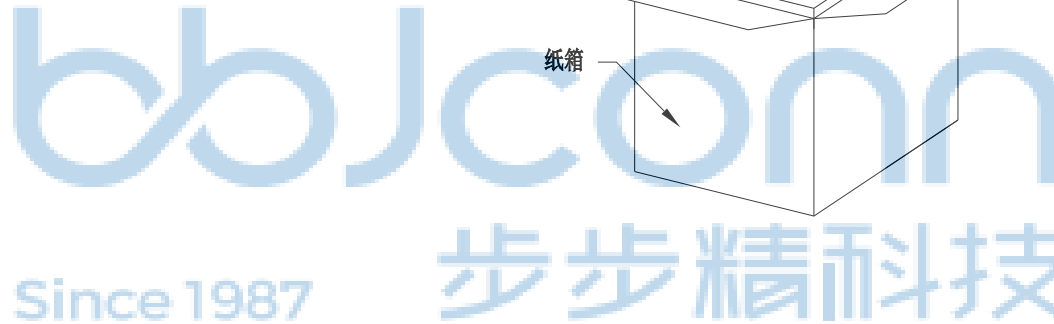
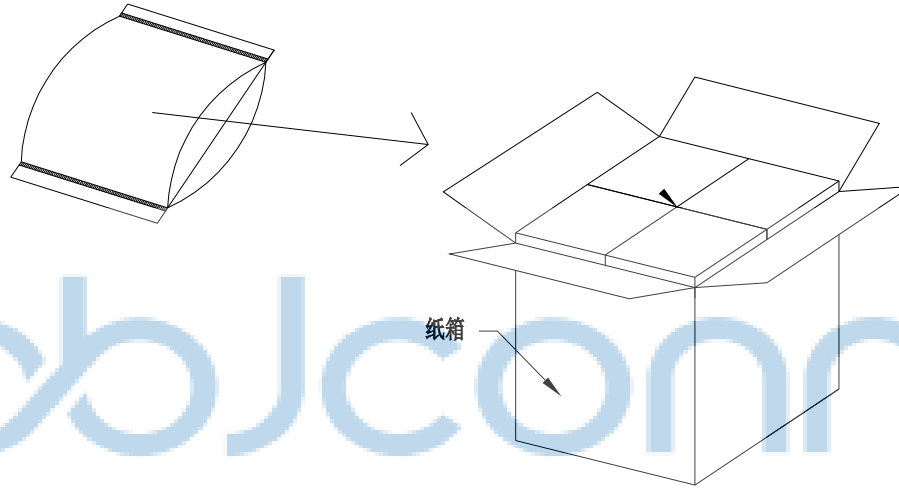
孔位	A	B
2	6.0	2.0
3	8.0	4.0
4	10.0	6.0
5	12.0	8.0
6	14.0	10.0
7	16.0	12.0
8	18.0	14.0
9	20.0	16.0
10	22.0	18.0
11	24.0	20.0
12	26.0	22.0
13	28.0	24.0
14	30.0	26.0
15	32.0	28.0



THIS DOCUMENT IS THE SOLE PROPERTY OF BBJconn Technology Co., Ltd. Corporation AND SHOULD NOT BE USED IN WHOLE OR IN PART WITHOUT PRIOR WRITTEN PERMISSION.		深圳市步步精科技有限公司 .X: ± 0.38 .XX: ± 0.25 .XXX: ± 0.13 X': $\pm 3'$ X'': $\pm 2'$ XX': $\pm 1'$		NAME: HY-2A (2.0-2P) 直针 带扣 白色 PJ. NO.: WT.01.13-11-1006 SIZE: A4 DRW NO.: FINISH: SEE NOTES MAT'L.: SEE NOTES SCALE: N/A REV.: A0 UNIT: mm PAGE: 1/2	
APPD.	JM_Zheng	CHKD.	LYX	DR.	SGF
PDWG.NO: 0102-1					

REV.	ECN NO.	CONTENT	DATE	ENGINEER
A0				

PE袋规格:***X*** (以实际出货为准)



1. 包装要求:

- 1.1 每PE袋包装 2000PCS;
- 1.2 每1袋放一小纸盒;
- 1.3 每20个小纸盒放一个纸箱, 共计40000PCS
- 1.4 纸箱外贴上标签



THIS DOCUMENT IS THE SOLE PROPERTY OF BBJconn Technology Co.,Ltd. Corporation AND SHOULD NOT BE USED IN WHOLE OR IN PART WITHOUT PRIOR WRITTEN PERMISSION.		深圳市步步精科技有限公司 .X: ±0.38 X': ±3' NAME: HY-2A (2.0-2P) 直针 带扣 白色 .XX: ±0.25 X'': ±2' PJ. NO.: WT.01.13-11-1006 .XXX: ±0.13 XX': ±1' SIZE: A4 DRW NO.: FINISH: SEE NOTES MAT'L.: SEE NOTES SCALE: N/A REV.: A0 UNIT: mm PAGE: 2/2	
APPD.	JM_Zheng		
CHKD.	LYX		
PDWG.NO:	0102-1	DR.	SGF