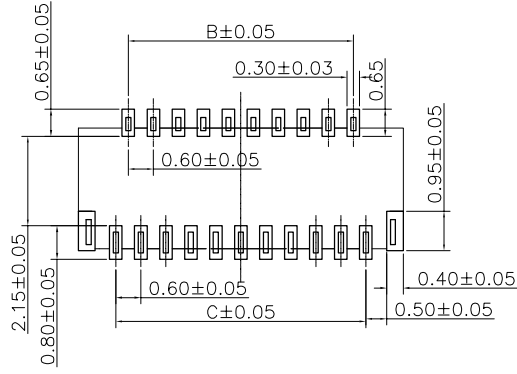
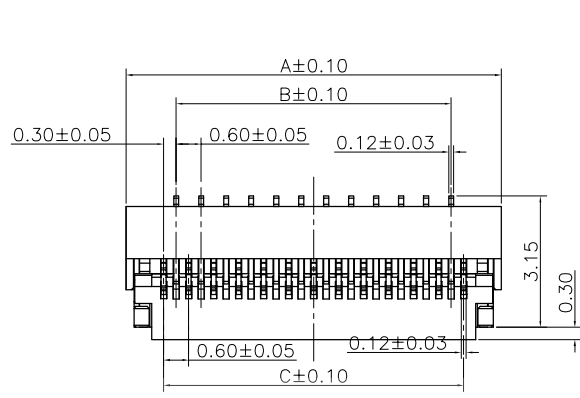
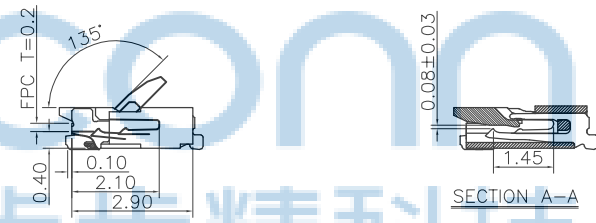
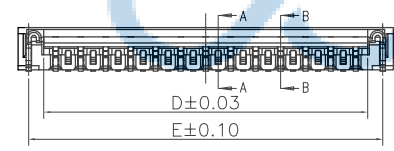


REV.	ECN NO	CONTENT	DATE	ENGINEER
A0				

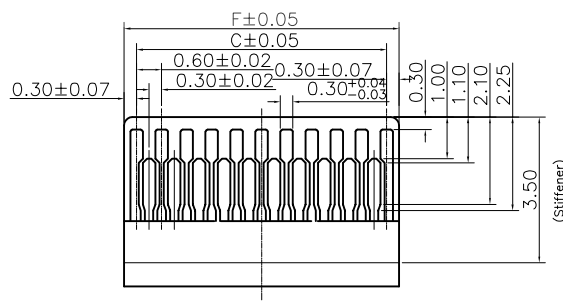
Note:  
 1.Material  
 1.1: Housing: LCP UL94-V0 Color:Nature.  
 1.2: Actuator: LCP UL94-V0 Color:Black.  
 1.3: Contact: Phosphor Bronze.  
 1.4: LEG: Brass.  
 2.Plating  
 2.1: Contact: Matte Tin Or Gold Plating Nickel Overall .  
 2.2: LEG: Matte Tin Plating Over Nickel.  
 3.Rating:  
 3.1: Operating Voltage: 50V AC/DC.  
 3.2: Current Rating: 0.4A AC/DC.  
 3.3: Operating Temperature:-25°C~+85°C.



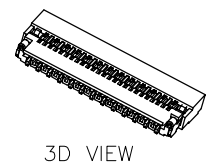
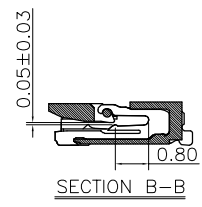
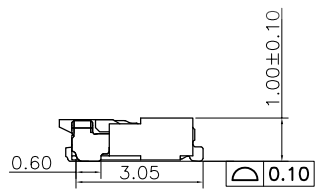
RECOMMENDED PCB LAYOUT(TOP VIEW)  
 RECOMMENDED METAL MASK PATTERN  
 (THICKNESS 0.10MM)



No.of Contacts	DIM.					
	A	B	C	D	E	F
09	4.2	1.8	2.4	3.06	3.7	3.0
11	4.8	2.4	3.0	3.66	4.3	3.6
13	5.4	3.0	3.6	4.26	4.9	4.2
15	6.0	3.6	4.2	4.86	5.5	4.8
17	6.6	4.2	4.8	5.46	6.1	5.4
19	7.2	4.8	5.4	6.06	6.7	6.0
21	7.8	5.4	6.0	6.66	7.3	6.6
23	8.4	6.0	6.6	7.26	7.9	7.2
25	9.0	6.6	7.2	7.86	8.5	7.8
27	9.6	7.2	7.8	8.46	9.1	8.4
29	10.2	7.8	8.4	9.06	9.7	9.0
31	10.8	8.4	9.0	9.66	10.3	9.6
33	11.4	9.0	9.6	10.26	10.9	10.2
35	12.0	9.6	10.2	10.86	11.5	10.8
37	12.6	10.2	10.8	11.46	12.1	11.4
39	13.2	10.8	11.4	12.06	12.7	12.0
41	13.8	11.4	12.0	12.66	13.3	12.6
43	14.4	12.0	12.6	13.26	13.9	13.2
45	15.0	12.6	13.2	13.86	14.5	13.8
49	16.2	13.8	14.4	15.06	15.7	15.0
51	16.8	14.4	15.0	15.66	16.3	15.6
57	18.6	16.2	16.8	17.46	18.1	17.4
61	19.8	17.4	18.0	18.66	19.3	18.6
67	21.6	19.2	19.8	20.46	21.1	20.4
71	22.8	20.4	21.0	21.66	22.3	21.6



APPLICABLE FFC/FPC  
 FFC/FPC THICKNESS  $0.20 \pm 0.03$



THIS DOCUMENT IS THE SOLE PROPERTY OF BBJconn Technology Co.,Ltd. Corporation AND SHOULD NOT BE USED IN WHOLE OR IN PART WITHOUT PRIOR WRITTEN PERMISSION.

PDWG.No: 0428-1

DR. SGF

APPD. JM\_Zheng

CHKD. LYX

NAME: FPC 0.3-39P 翻盖下接 H=1.0 编带

PJ. NO.: PC.01.04-12-D001

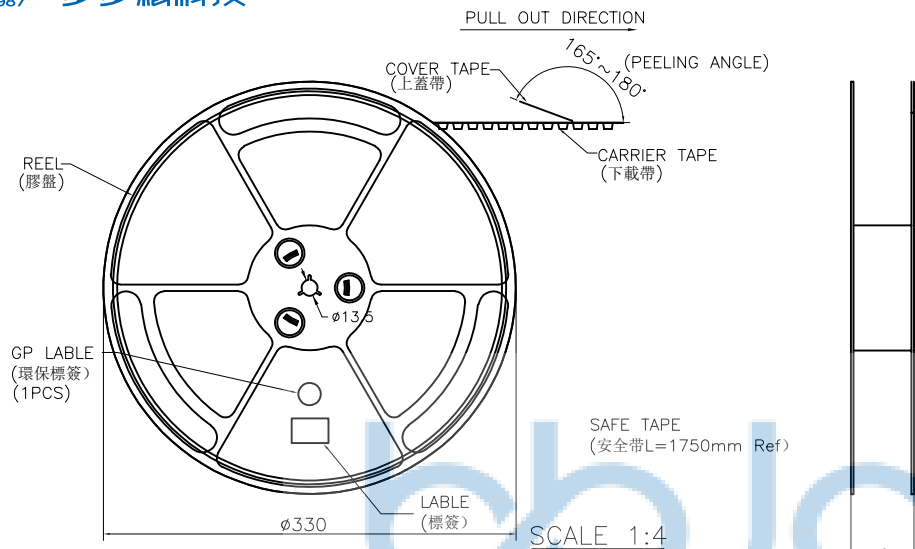
SIZE: A4 | DRW NO.:

FINISH: SEE NOTES | MAT'L.: SEE NOTES

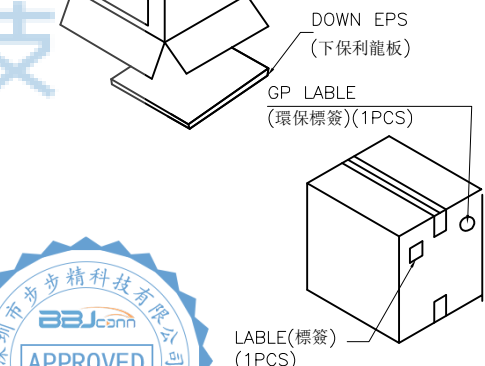
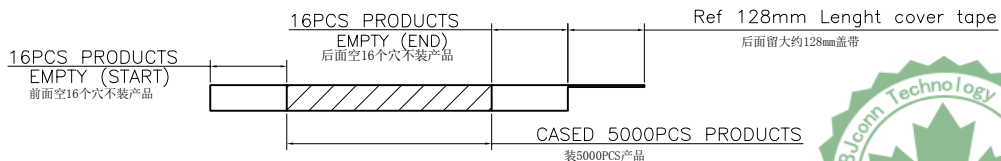
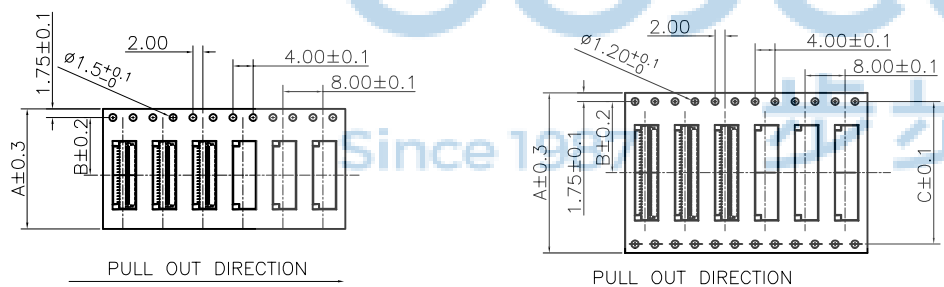
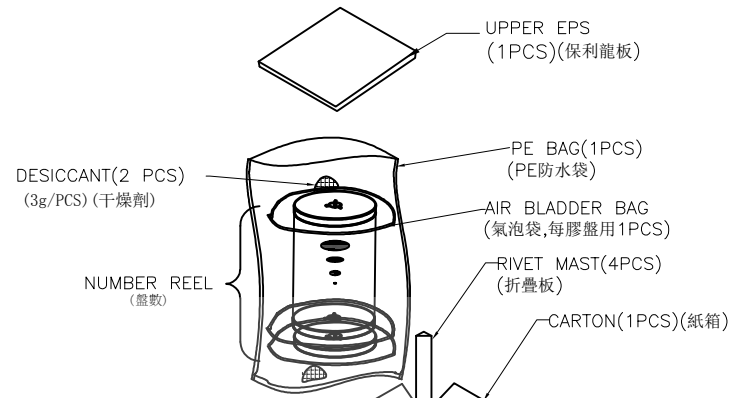
SCALE: N/A | REV.: A0 | UNIT: mm | PAGE: 1/2

深圳市步步精科技有限公司

.X:  $\pm 0.38$  .XX:  $\pm 0.25$  .XXX:  $\pm 0.13$  X':  $\pm 3'$  X'':  $\pm 2'$  XX':  $\pm 1'$



SCALE 1:4



PIN NO.	W	A	B	C	PCS /REEL	REEL/CARTON	SUM(PCS)
13PIN~25PIN	20.5	16	7.50	-	5000	15	75000
27PIN~49PIN	28.5	24	11.5	-	5000	10	50000
51PIN~61PIN	36.5	32	14.2	28.4	5000	8	40000
67PIN~73PIN	48.5	44	20.2	40.4	5000	6	30000

THIS DOCUMENT IS THE SOLE PROPERTY OF BBJconn Technology Co.,Ltd. Corporation AND SHOULD NOT BE USED IN WHOLE OR IN PART WITHOUT PRIOR WRITTEN PERMISSION.

PDWG.NO: 0428-1

DR. SGF

APPD. JM\_Zheng

CHKD. LYX

NAME: FPC 0.3-39P 翻盖下接 H=1.0 编带

PJ. NO.: PC.01.04-12-D001

SIZE: A4 DRW NO.:

FINISH: SEE NOTES MAT'L.: SEE NOTES

SCALE: N/A REV.: A0 UNIT: mm PAGE: 2/2

深圳市步步精科技有限公司