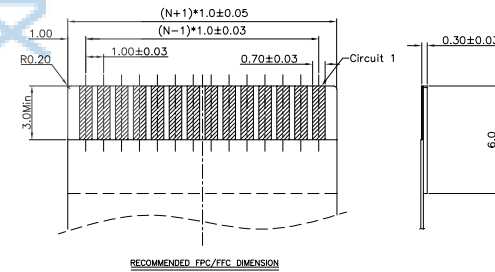
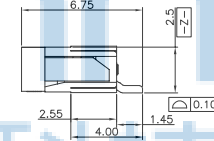
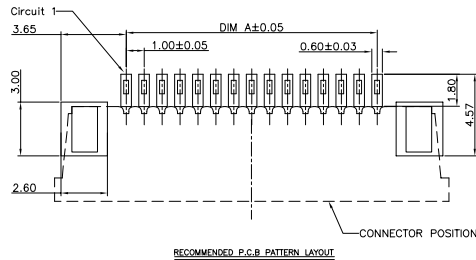
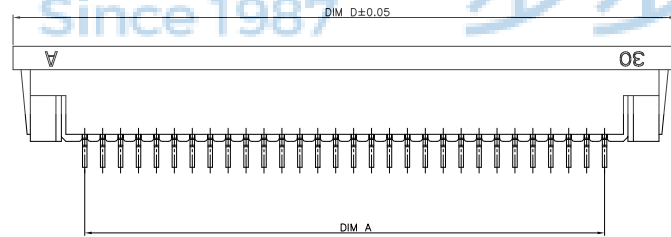
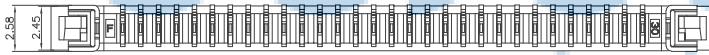
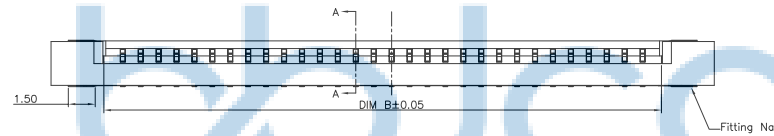
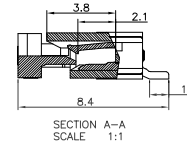
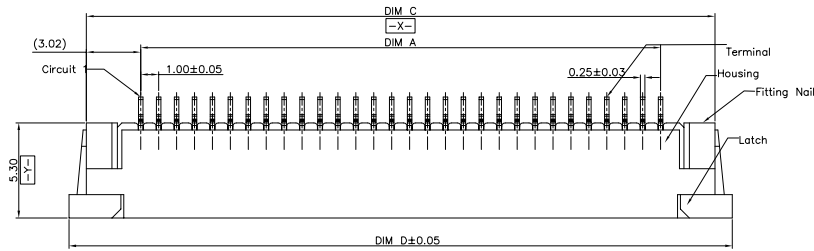


REV.	ECN NO	CONTENT	DATE	ENGINEER
A0				

Note:

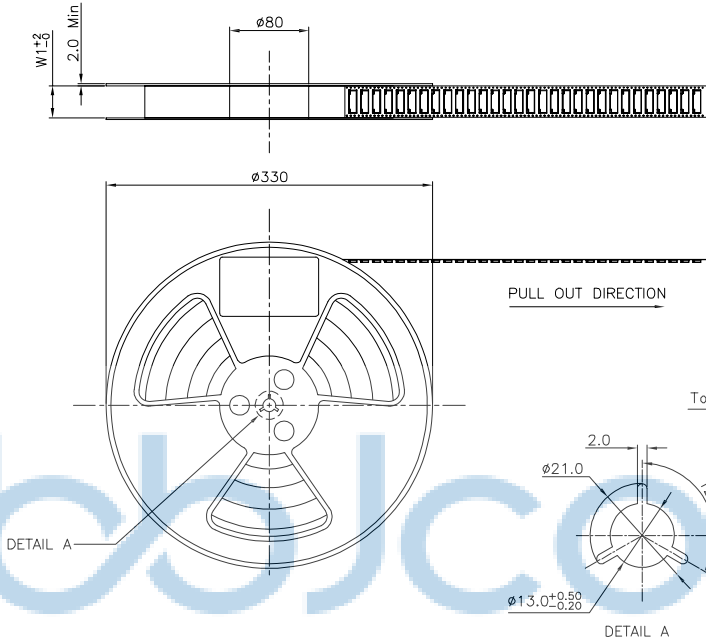
- Material:
 - Housing: thermoplastic high temp.UL94V-0; Color: natural.
 - Latch: thermoplastic high temp.UL94V-0; Color: black.
 - Terminal: copper alloy.
 - Fitting Nail: copper alloy.
- Finsh:
 - Terminal:
Underplating: Au/matt Tin overall.
 - Fitting Nail:
Underplating: matt Tin overall.
- Product must comply HF RoHS specification.



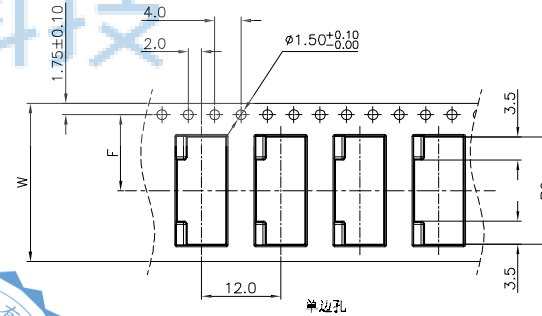
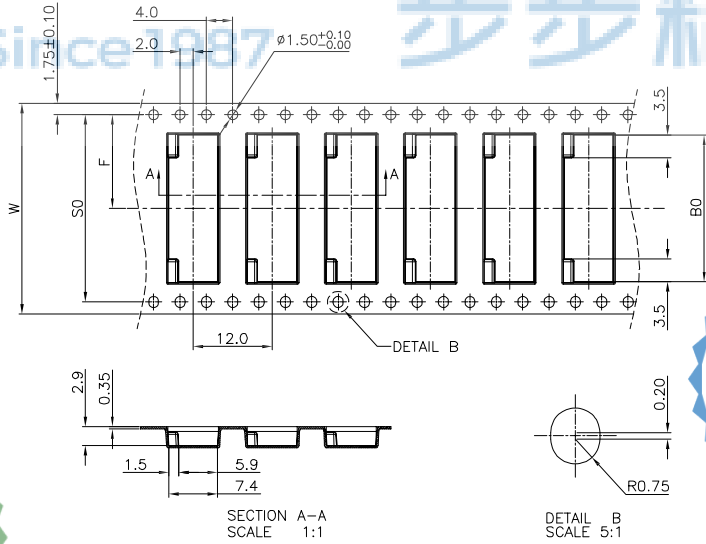
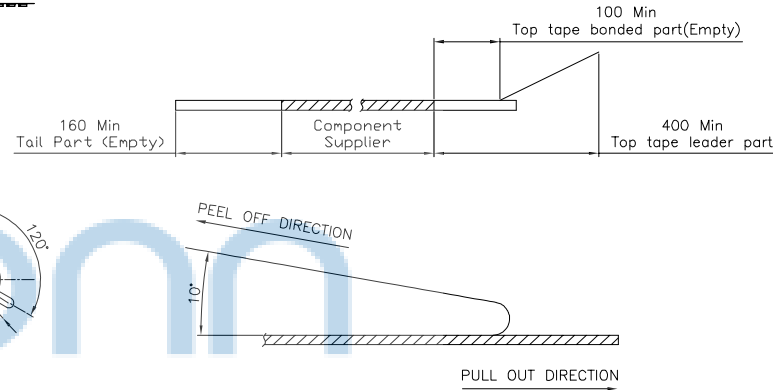
CKTS	DIM A	DIM B	DIM C	DIM D
4	3.00	5.10	9.05	11.00
5	4.00	6.10	10.05	12.00
6	5.00	7.10	11.05	13.00
7	6.00	8.10	12.05	14.00
8	7.00	9.10	13.05	15.00
9	8.00	10.10	14.05	16.00
10	9.00	11.10	15.05	17.00
11	10.00	12.10	16.05	18.00
12	11.00	13.10	17.05	19.00
13	12.00	14.10	18.05	20.00
14	13.00	15.10	19.05	21.00
15	14.00	16.10	20.05	22.00
16	15.00	17.10	21.05	23.00
17	16.00	18.10	22.05	24.00
18	17.00	19.10	23.05	25.00
19	18.00	20.10	24.05	26.00
20	19.00	21.10	25.05	27.00
21	20.00	22.10	26.05	28.00
22	21.00	23.10	27.05	29.00
23	22.00	24.10	28.05	30.00
24	23.00	25.10	29.05	31.00
25	24.00	26.10	30.05	32.00
26	25.00	27.10	31.05	33.00
27	26.00	28.10	32.05	34.00
28	27.00	29.10	33.05	35.00
29	28.00	30.10	34.05	36.00
30	29.00	31.10	35.05	37.00



THIS DOCUMENT IS THE SOLE PROPERTY OF BBJconn Technology Co., Ltd. Corporation AND SHOULD NOT BE USED IN WHOLE OR IN PART WITHOUT PRIOR WRITTEN PERMISSION.		深圳市步步精科技有限公司 NAME: FPC 1.0-30P抽拉上接 H=2.5 PJ. NO.: PC.04.01-42-C001 SIZE: A4 DRW NO.: FINISH: SEE NOTES MAT'L.: SEE NOTES SCALE: N/A REV.: A0 UNIT: mm PAGE: 1/2	
PDWG. NO: 0407-1	DR. SGF	APPD. JM_Zheng	CHKD. LYX



- NOTES:
1. 10 SPROCKET HOLE PITCH CUMULATIVE TOLERANCE: ±0.20mm
 2. CARRIER CAMBER NOT TO EXCEED 1mm IN 250mm.
 3. ALL DIMENSIONS MEET EIA-481-C REQUIREMENTS.
 4. MATERIAL: BLACK ANTI-STATIC POLYSTYRENE.
 5. THICKNESS: 0.35 ± 0.05 mm.
 6. PACKING LENGTH PER 13" REEL : 18.60METERS.
 7. COMPONENT LOAD PER 13" REEL : 1500PCS
 8. PEELING OFF FORCE OF TOP TAPE 0.1N~0.7N(10.2gf~100gf).



CTS	30±0.10	W	WI	F	S0±0.10
4	11.30				
5	12.30				
6	13.30	24±0.3/-0	24.4	11.5±0.10	单边孔
7	14.30				
8	15.30				
9	16.30				
10	17.30				
11	18.30	32±0.30	32.4	14.2±0.10	28.4
12	19.30				
13	20.30				
14	21.30				
15	22.30				
16	23.30	44±0.30	44.4	20.2±0.15	40.4
17	24.30				
18	25.30				
19	26.30				
20	27.30				
21	28.30	56±0.30	56.4	26.2±0.15	52.4
22	29.30				
23	30.30				
24	31.30				
25	32.30				
26	33.30				
27	34.30				
28	35.30				
29	36.30				
30	37.30				



THIS DOCUMENT IS THE SOLE PROPERTY OF BBJconn Technology Co., Ltd. Corporation AND SHOULD NOT BE USED IN WHOLE OR IN PART WITHOUT PRIOR WRITTEN PERMISSION.

深圳市步步精科技有限公司

NAME: FPC 1.0-30P抽拉上接 H=2.5

APPD. JM_Zheng

CHKD. LYX

DR. SGF

PJ. NO.: PC.04.01-42-C001

SIZE: A4 DRW NO.:

FINISH: SEE NOTES MAT'L.: SEE NOTES

SCALE: N/A REV.: A0 UNIT: mm PAGE: 2/2

PDWG. NO: 0407-1

Dimensions: .X: ±0.38 X': ±3°
.XX: ±0.25 X'': ±2°
.XXX: ±0.13 X''': ±1°