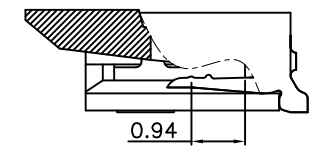
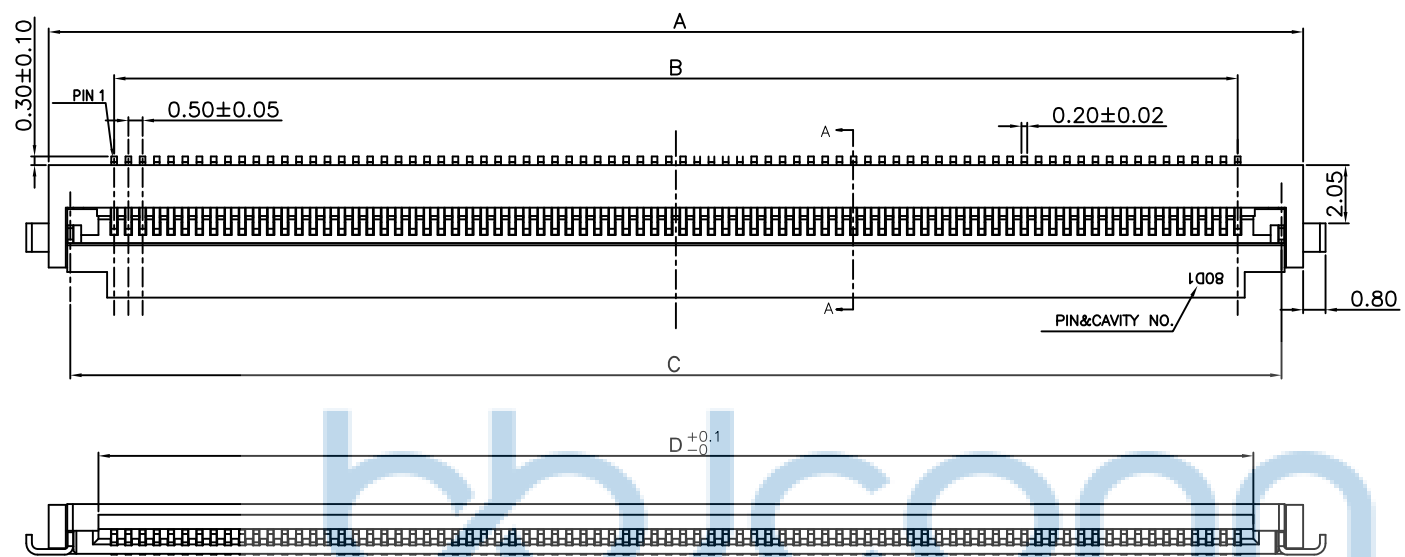
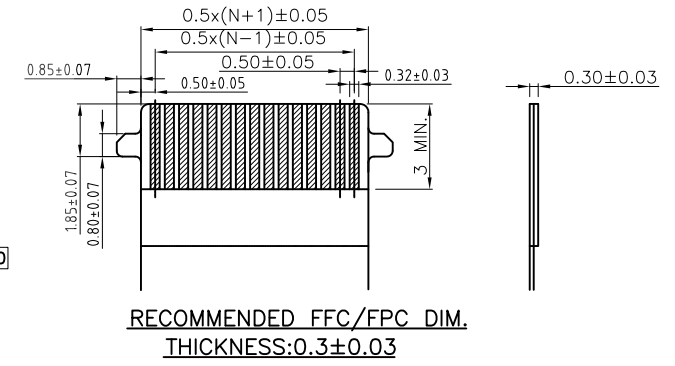
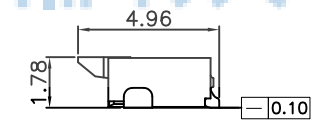
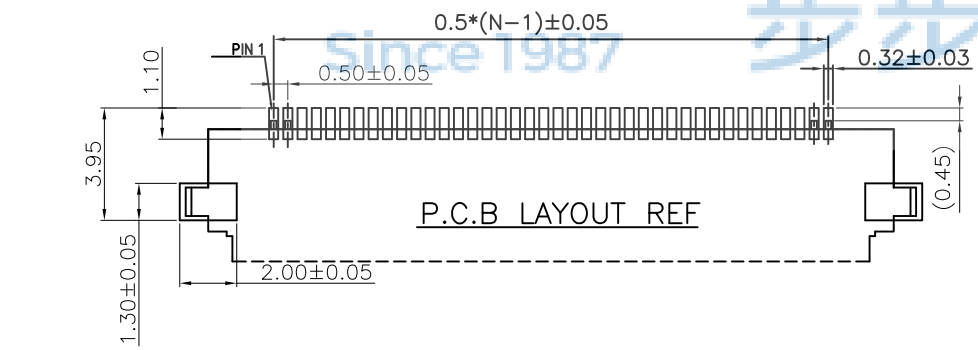


REV.	ECN NO.	CONTENT	DATE	ENGINEER
A0				

NOTES:  
1.MATERIAL:  
HOUSING:THERMOPLASTIC(UL94V-0) LCP COLOUR:NATURE  
ACTUATOR:THERMOPLASTIC(UL94V-0) LCP COLOUR:BLACK  
TERMINAL:PHOSPHOR BRONZE GOLD PLATED  
FITTING NAIL:BRASS MATTE TIN PLATED



SECTION A-A  
SCALE 2:1



(N)NO.of CONTACTS	DIMENSIONS			
	A	B	C	D
68	38.10	33.50	36.60	34.60
80	44.10	39.50	42.60	40.60

THIS DOCUMENT IS THE SOLE PROPERTY OF BBJconn Technology Co.,Ltd. Corporation AND SHOULD NOT BE USED IN WHOLE OR IN PART WITHOUT PRIOR WRITTEN PERMISSION.

PDWG.NO: 0428-1

**深圳市步步精科技有限公司**

NAME: FPC 0.5-80P 翻盖下接 H=1.78

APPD. JM\_Zheng

CHKD. LYX

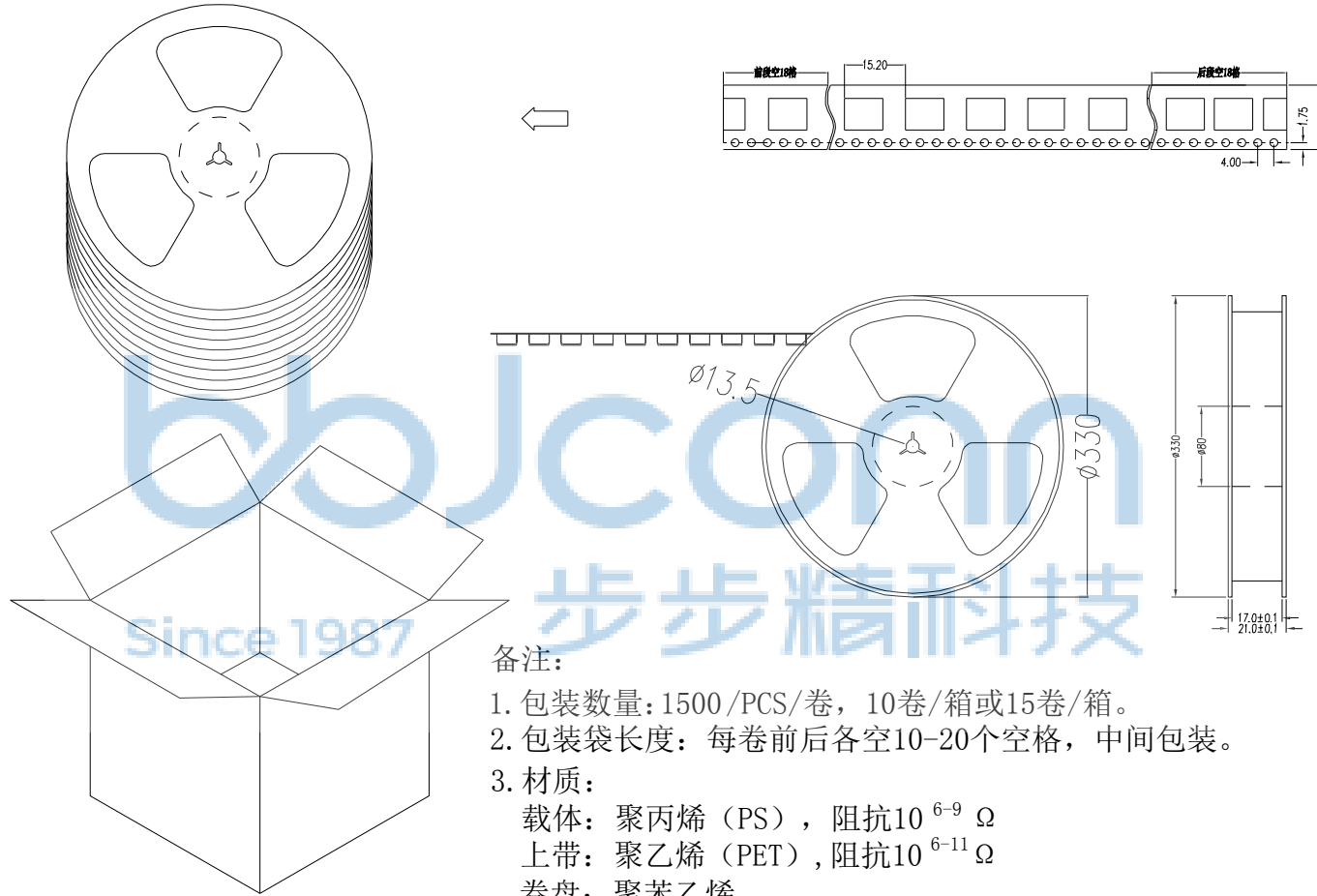
DR. SGF

PJ. NO.: PC.02.04-82-D001

SIZE: A4 | DRW NO.:

FINISH: SEE NOTES | MAT'L.: SEE NOTES

SCALE: N/A | REV.: A0 | UNIT: mm | PAGE: 1/2



备注:

1. 包装数量: 1500 /PCS/卷, 10卷/箱或15卷/箱。
2. 包装袋长度: 每卷前后各空10-20个空格, 中间包装。
3. 材质:  
载体: 聚丙烯 (PS), 阻抗 $10^{6-9} \Omega$   
上带: 聚乙烯 (PET), 阻抗 $10^{6-11} \Omega$   
卷盘: 聚苯乙烯。

纸箱规格: 345\*345\*23MM  
纸箱规格: 345\*345\*35MM

THIS DOCUMENT IS THE SOLE PROPERTY OF BBJconn Technology Co.,Ltd. Corporation AND SHOULD NOT BE USED IN WHOLE OR IN PART WITHOUT PRIOR WRITTEN PERMISSION.		深圳市步步精科技有限公司 .X: ±0.38    .X': ±3" .XX: ±0.25    .X': ±2" .XXX: ±0.13    .XX': ±1"		NAME: FPC 0.5-80P 翻盖下接 H=1.78	
APPD.	JM_Zheng	PJ. NO.: PC.02.04-82-D001 SIZE: A4   DRW NO.:		FINISH: SEE NOTES    MAT'L.: SEE NOTES	
CHKD.	LYX	PDWG.NO: 0428-1		DR.	SGF
		SCALE: N/A	REV.: A0	UNIT: mm	PAGE: 2/2