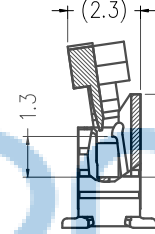
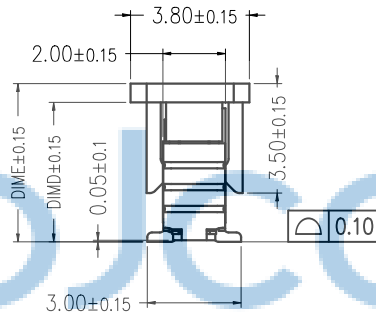
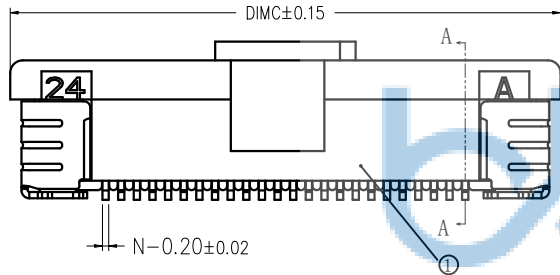
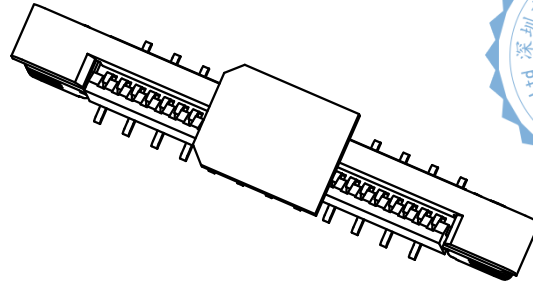
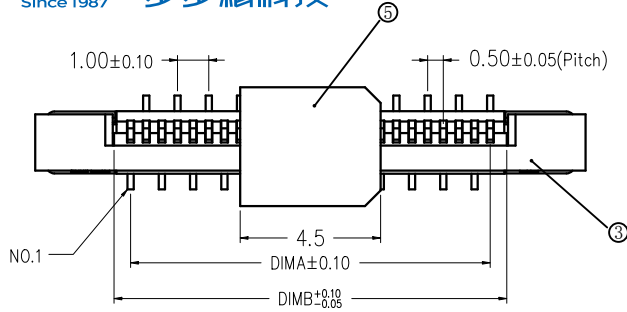




REV.	ECN NO.	CONTENT	DATE	ENGINEER
AO				

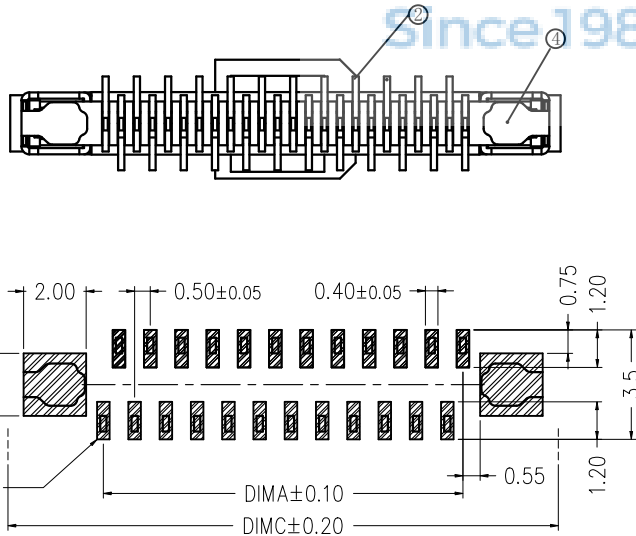
技术指标:

1. 塑件表面应光洁、无毛边、无明显收缩、缺陷、裂纹等现象。
2. 温度范围: $-25^{\circ}\text{C} \sim 85^{\circ}\text{C}$ 。
3. 额定电压: 50V, AC/DC(等效)。
4. 接触电阻: $\leq 0.03\Omega$ 。
5. 绝缘电阻: $\geq 500\text{M}\Omega$ 。

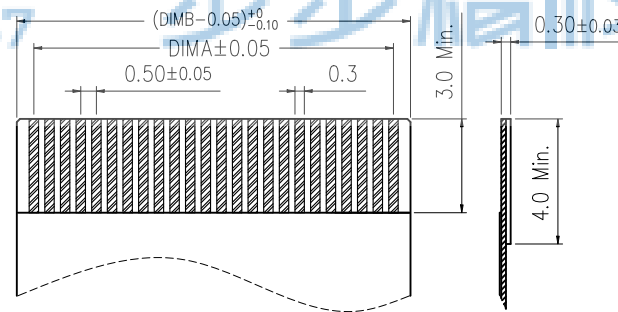


SECTION A-A
Without cover

CKT	DIM A	DIM B	DIM C	DIM D	DIM E	CKT	DIM A	DIM B	DIM C	DIM D	DIM E
6	2.50	3.56	8.60			35	17.00	18.06	23.10		
7	3.00	4.06	9.10			36	17.50	18.56	23.60		
8	3.50	4.56	9.60			37	18.00	19.06	24.10		
9	4.00	5.06	10.10			38	18.50	19.56	24.60		
10	4.50	5.56	10.60			39	19.00	20.06	25.10		
11	5.00	6.06	11.10			40	19.50	20.56	25.60		
12	5.50	6.56	11.60			41	20.00	21.06	26.10		
13	6.00	7.06	12.10			42	20.50	21.56	26.60		
14	6.50	7.56	12.60			43	21.00	22.06	27.10		
15	7.00	8.06	13.10			44	21.50	22.56	27.60		
16	7.50	8.56	13.60			45	22.00	23.06	28.10		
17	8.00	9.06	14.10			46	22.50	23.56	28.60		
18	8.50	9.56	14.60			47	23.00	24.06	29.10	5.00	5.60
19	9.00	10.06	15.10			48	23.50	24.56	29.60		
20	9.50	10.56	15.60	4.45	5.05	49	24.00	25.06	30.10		
21	10.00	11.06	16.10			50	24.50	25.56	30.60		
22	10.50	11.56	16.60			51	25.00	26.06	31.10		
23	11.00	12.06	17.10			52	25.50	26.56	31.60		
24	11.50	12.56	17.60			53	26.00	27.06	32.10		
25	12.00	13.06	18.10			54	26.50	27.56	32.60		
26	12.50	13.56	18.60			55	27.00	28.06	33.10		
27	13.00	14.06	19.10			56	27.50	28.56	33.60		
28	13.50	14.56	19.60			57	28.00	29.06	34.10		
29	14.00	15.06	20.10			58	28.50	29.56	34.60		
30	14.50	15.56	20.60			59	29.00	30.06	35.10		
31	15.00	16.06	21.10			60	29.50	30.56	35.60		
32	15.50	16.56	21.60								
33	16.00	17.06	22.10								
34	16.50	17.56	22.60								



适用线路板(PCB LAYOUT)

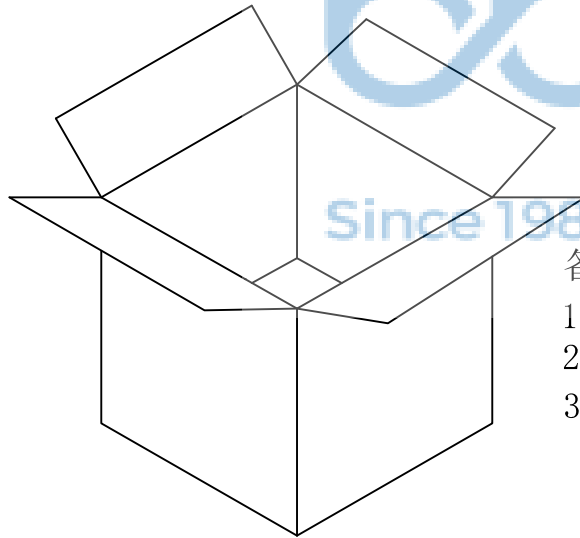
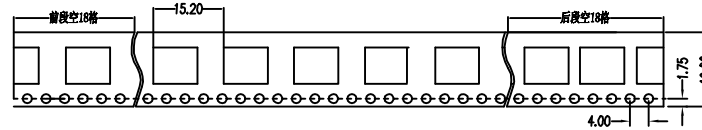
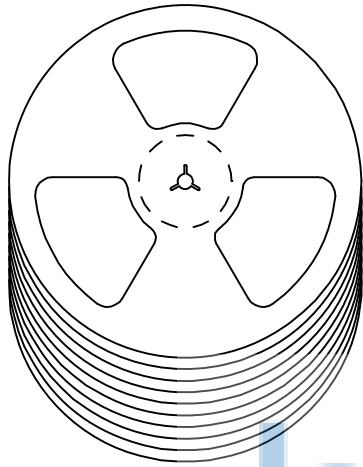


适用扁平线(Applicable Flat Cable)

序号	品名	材质
①	0.5拉拔3代胶芯	LCP UL94V-0 本色
②	0.5拉拔立式端子	铜合金/表面镀锌
③	0.5拉拔卧式3代后盖	LCP UL94V-0 黑色
④	0.5拉拔3代焊片	铜合金/表面镀锌
⑤	0.5拉拔立式3代吸盖	LCP UL94V-0 黑色

THIS DOCUMENT IS THE SOLE PROPERTY OF BBJconn Technology Co.,Ltd. CORPORATION AND SHOULD NOT BE USED IN WHOLE OR IN PART WITHOUT PRIOR WRITTEN PERMISSION.

APPD.	JM_Zheng	NAME:	FPC 0.5-20P 正位立贴 H=4.45 加盖编带
CHKD.	TSP	PJ. NO.:	PC.02.03-32-F007
DR.	LYX	SIZE:	A4 DRW NO.:
		FINISH:	SEE NOTES
		MAT'L.:	SEE NOTES
		SCALE:	N/A
		REV.:	AO
		UNIT:	mm
		PAGE:	1/2



备注:

1. 包装数量: 1500/PCS/卷, 10卷/箱。
2. 包装袋长度: 每卷前后各空10-20个空格, 中间包装。
3. 材质:
载体: 聚丙烯 (PS), 阻抗 $10^{6-9} \Omega$
上带: 聚乙烯 (PET), 阻抗 $10^{6-11} \Omega$
卷盘: 聚苯乙烯。

纸箱规格: 345*345*23MM

纸箱规格: 345*345*35MM

THIS DOCUMENT IS THE SOLE PROPERTY OF BBJconn Technology Co.,Ltd Corporation AND SHOULD NOT BE USED IN WHOLE OR IN PART WITHOUT PRIOR WRITTEN PERMISSION.		深圳市步步精科技有限公司 .X: ± 0.38 .X': $\pm 3'$.XX: ± 0.25 .X': $\pm 2'$.XXX: ± 0.13 .XX': $\pm 1'$		NAME: FPC 0.5-20P 正位立贴 H=4.45 加盖编带	
APPD. JM_Zheng	CHKD. TSP	DR. LYX	PJ. NO.: PC.02.03-32-F007 SIZE: A4 DRW NO.: FINISH: SEE NOTES MAT'L.: SEE NOTES SCALE: N/A REV.: A0 UNIT: mm PAGE: 2/2		
PDWG.NO: 0456-1					