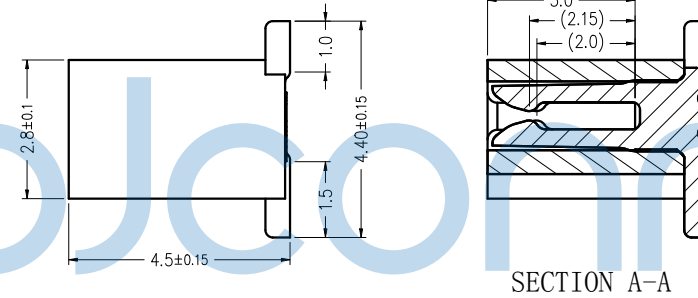
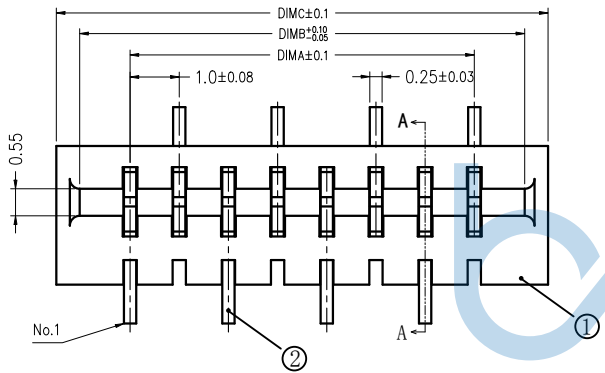
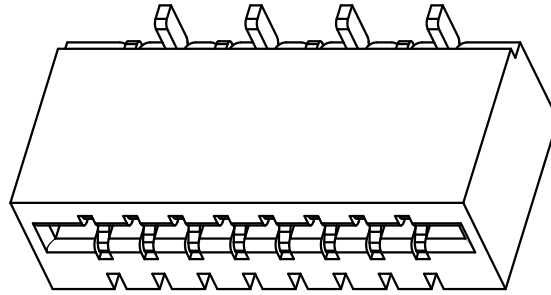
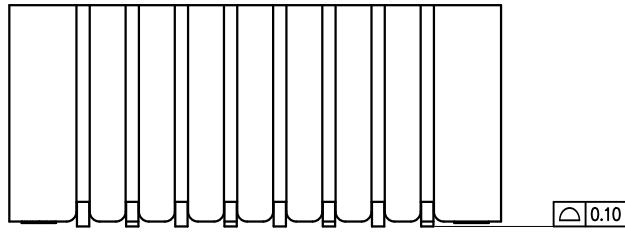


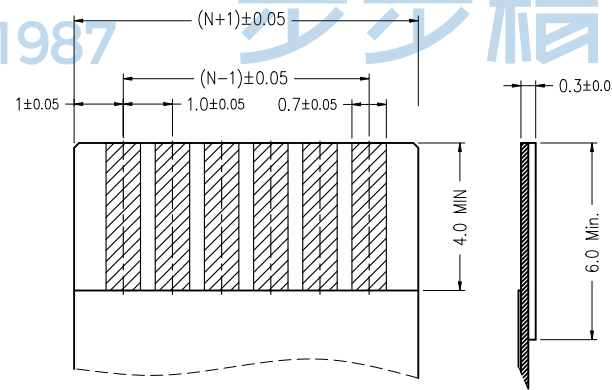
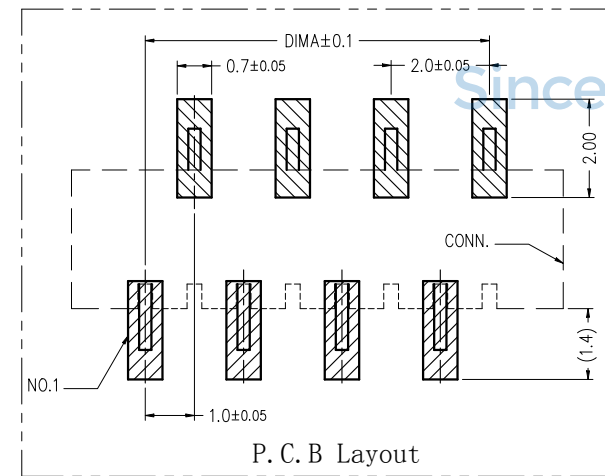
REV.	ECN NO.	CONTENT	DATE	ENGINEER
AO		Initial release	/	TSP

技术指标:

1. 塑件表面应光洁、无毛边、无明显收缩、缺陷、裂纹等现象。
2. 温度范围: -20° C~+85° C.
3. 额定电压: 50V, AC(per pin)/DC等效.
4. 额定电流: 0.5A.
5. 接触电阻: ≤30mΩ.
6. 绝缘电阻: ≥500MΩ.
7. 耐压: 500V, AC/minute.



CKT	DIM A	DIM B	DIM C
4	3.0	5.05	6.00
5	4.0	6.05	7.00
6	5.0	7.05	8.00
7	6.0	8.05	9.00
8	7.0	9.05	10.00
9	8.0	10.05	11.00
10	9.0	11.05	12.00
11	10.0	12.05	13.00
12	11.0	13.05	14.00
13	12.0	14.05	15.00
14	13.0	15.05	16.00
15	14.0	16.05	17.00
16	15.0	17.05	18.00
17	16.0	18.05	19.00
18	17.0	19.05	20.00
19	18.0	20.05	21.00
20	19.0	21.05	22.00
21	20.0	22.05	23.00
22	21.0	23.05	24.00
23	22.0	24.05	25.00
24	23.0	25.05	26.00
25	24.0	26.05	27.00
26	25.0	27.05	28.00
27	26.0	28.05	29.00
28	27.0	29.05	30.00
29	28.0	30.05	31.00
30	29.0	31.05	32.00



序号	品名	材质
①	1.0无盖卧式胶芯 (H=2.9)	LCP UL94V-0 黑色
②	1.0无盖立式端子 (H=4.5)	铜合金/表面镀锡

THIS DOCUMENT IS THE SOLE PROPERTY OF BBJconn Technology Co.,Ltd. Corporation AND SHOULD NOT BE USED IN WHOLE OR IN PART WITHOUT PRIOR WRITTEN PERMISSION.

PDWG:NO: 0456-1

DR. TSP

APPD. JM_Zheng

CHKD. LYX

NAME: FPC 1.0-20P 正位立贴 H=4.50 无盖 编带

PJ. NO.: PC.04.03-91-F002

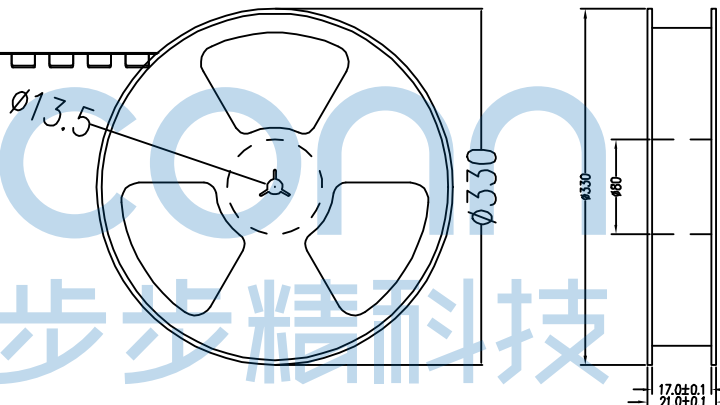
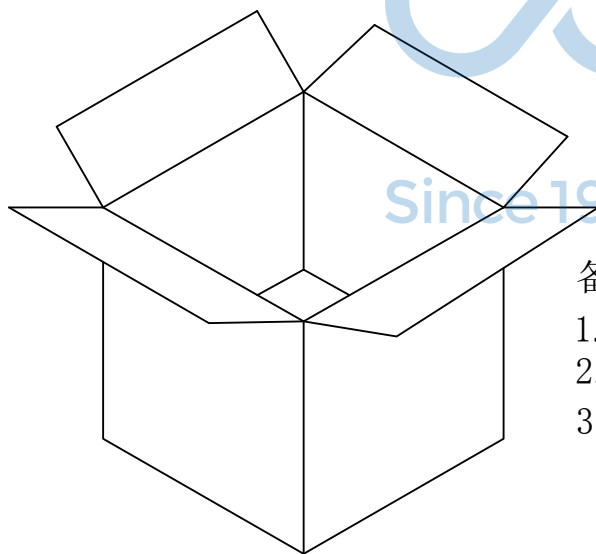
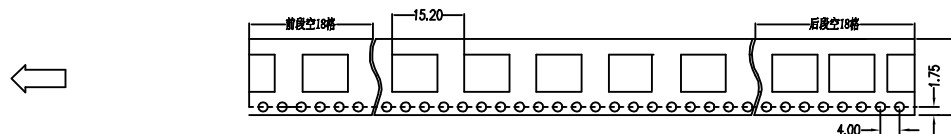
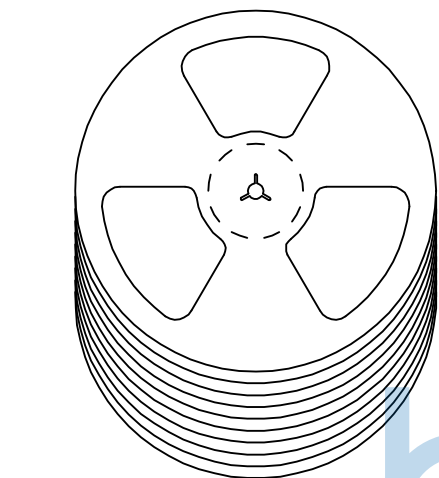
SIZE: A4 DRW NO.:

FINISH: SEE NOTES MAT'L.: SEE NOTES

SCALE: N/A REV.: AO UNIT: mm PAGE: 1/2

深圳市步步精科技有限公司

.X: ±0.38 X': ±3"
.XX: ±0.25 X'': ±2"
.XXX: ±0.13 .XX': ±1"



备注:

1. 包装数量: 1500/PCS/卷, 10卷/箱。
2. 包装袋长度: 每卷前后各空10-20个空格, 中间包装。
3. 材质:
载体: 聚丙烯 (PS),
上带: 聚乙烯 (PET),
卷盘: 聚苯乙烯。

纸箱规格: 345*345*23MM

纸箱规格: 345*345*35MM

THIS DOCUMENT IS THE SOLE PROPERTY OF BBJconn Technology Co.,Ltd. Corporation AND SHOULD NOT BE USED IN WHOLE OR IN PART WITHOUT PRIOR WRITTEN PERMISSION.		深圳市步步精科技有限公司 .X: ±0.38 .XX: ±0.25 .XXX: ±0.13 X: ±3" .X: ±2" .XX: ±1"		NAME: FPC 1.0-20P 正位立贴 H=4.50 无盖 编带 APPD. JM_Zheng CHKD. LYX DR. TSP	
PDWG:NO: 0456-1		P.J. NO.: PC.04.03-91-F002 SIZE: A4 DRW NO.: FINISH: SEE NOTES MAT'L.: SEE NOTES SCALE: N/A REV.: A0 UNIT: mm PAGE: 2/2			