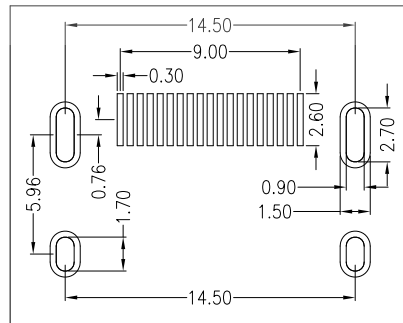
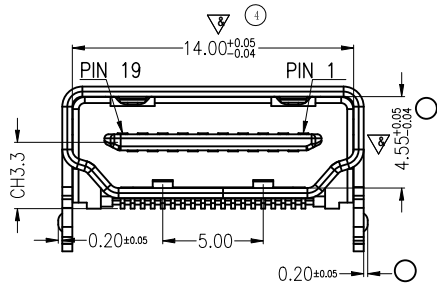
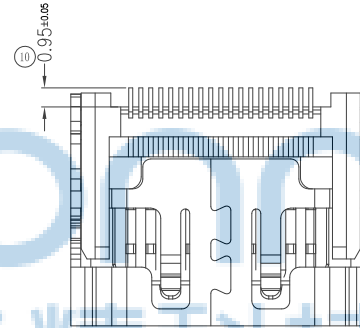
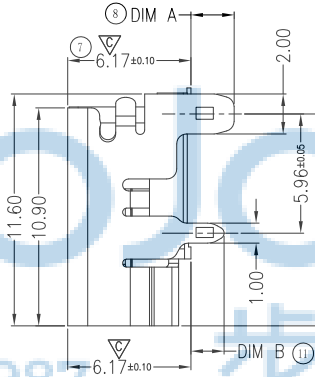
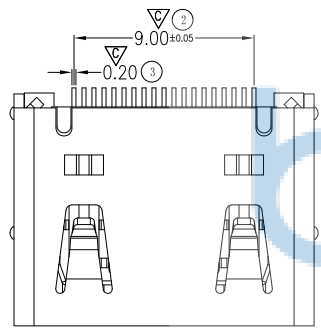
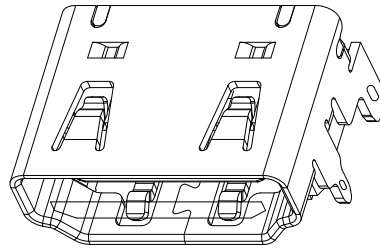
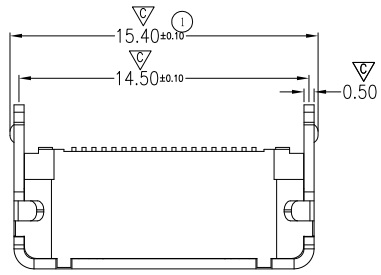


REV.	ECN NO	CONTENT	DATE	ENGINEER
A0				



RECOMMENDED P.C.B HOLE LAYOUT  
COMPONENT SIDE VIEW(TOLERANCE: +/-0.05)

说明:

1. 材质:

胶芯:LCP,UL94V-0; COLOR; BLACK

端子: C2680

外壳: C2680/SPCC

2. 电镀说明:

端子: 接触区域镀金

焊锡区域镀雾锡100 u"Min

全部区域镍底50 u" Min

外壳: 表面镀镍100 u" Min

3. 电气性能:

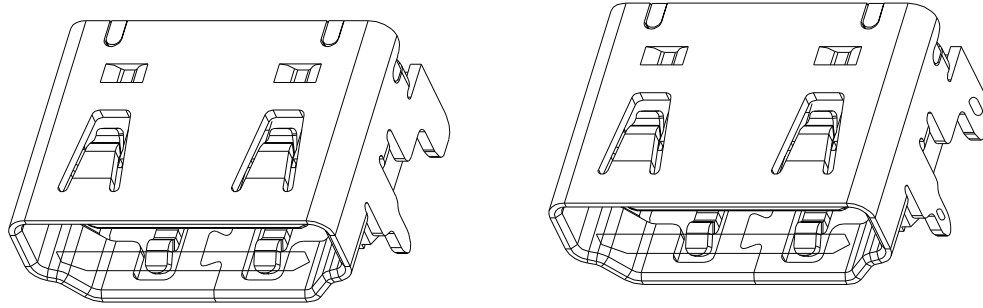
绝缘阻抗 (EIA-364-21) :100 MΩ MIN.  
AT 500V/DC FOR 1 MINUTE.

接触阻抗 (EIA-364-06) 30 mΩ MAX.

耐电压 (EIA-364-20) NO DISCHARGE,  
FLASHOVER OR BREAKDOWN  
AT 500 V/AC 1MINUTE.



THIS DOCUMENT IS THE SOLE PROPERTY OF BBJconn Technology Co.,Ltd. Corporation AND SHOULD NOT BE USED IN WHOLE OR IN PART WITHOUT PRIOR WRITTEN PERMISSION.		<b>深圳市步步精科技有限公司</b>	
PDWG.NO: 0100-2	DR. SGF	.X: ±0.38    .X': ±3" .XX: ±0.25    .X'': ±2" .XXX: ±0.13    .XX': ±1"	NAME: HDMI A型 母座 铜壳镀镍 平口 带凸点 L=11.60
APPD. JM_Zheng	CHKD. LYX	PJ. NO.: HD.01.51-21-1001 SIZE: A4 DRW NO.:	FINISH: SEE NOTES    MAT'L.: SEE NOTES SCALE: N/A    REV.: A0    UNIT: mm    PAGE: 1/3



\$ " #

! " #

4. P/N

%& ' ( )

规格	DIM A	DIM B	外壳脚凸点
1	2.16	1.66	无凸点
2	2.16	1.66	带凸点
3	1.50	1.50	无凸点
4	2.20	2.20	无凸点
5	1.50	1.50	带凸点

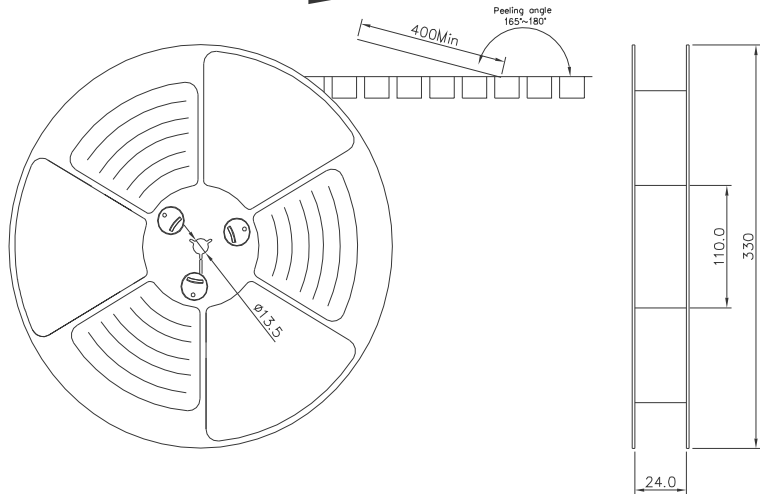
PIN	Signal Assignment
1	TMS Data2+
3	TMS Data2-
5	TMS Data1 Shield
7	TMS Data0+
9	TMS Data0-
11	TMS Clock Shield
13	CEC
15	SCL
17	DDC/CEC Ground
19	Hot Plug Detect

PIN	Signal Assignment
2	TMS Data2 Shield
4	TMS Data1+
6	TMS Data1-
8	TMS Data0 Shield
10	TMS Clock+
12	TMS Clock-
14	Utility
16	SDA
18	+5V Power

THIS DOCUMENT IS THE SOLE PROPERTY OF BBJconn Technology Co.,Ltd. Corporation AND SHOULD NOT BE USED IN WHOLE OR IN PART WITHOUT PRIOR WRITTEN PERMISSION. PDWNG.NO: 0100-2	\$! c 2!•!•2!0 ° 9L€ œ (		NAME: HDMI ADÍ Ä,xù Í-¿Ç¶ÆÄø Æ½¿Ú 'øí'µã L=11.60
	APPD. JM_Zheng CHKD. LYX DR. SGF	.X: ±0.38 .X': ±3' .XX: ±0.25 .X': ±2' .XXX: ±0.13 .XX': ±1'	PJ. NO.: HD.01.51-21-1001 SIZE: A4 DRW NO.: FINISH: SEE NOTES MAT'L.: SEE NOTES SCALE: N/A REV.: A0 UNIT: mm PAGE: 2/3
	€ ≡		
	FINISH: SEE NOTES MAT'L.: SEE NOTES SCALE: N/A REV.: A0 UNIT: mm PAGE: 2/3		

出料方向

PULL OUT DIRECTEON



NOTES

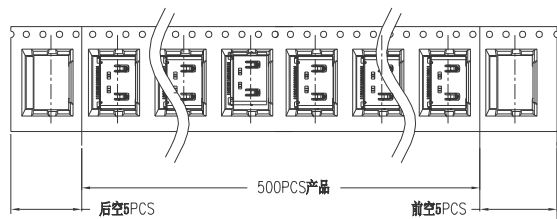
1. 帶子引導長度  
LEAD TAPE LENGTH

出料方向

PULL OUT DIRECTEON

出料方向

PULL OUT DIRECTEON

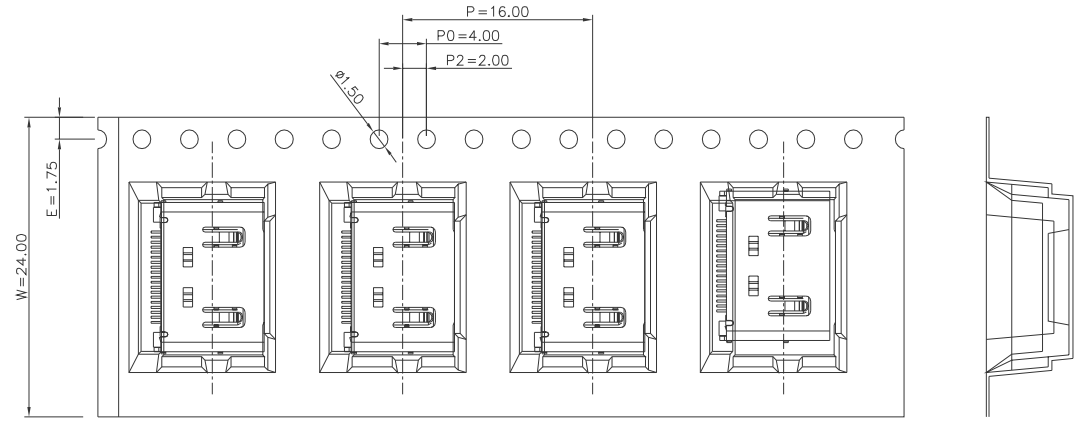


2. 出貨運輸過程中一定注意：

THIS REQUIREMENT SHOULD BE APPLIED AT SHIPMENT：

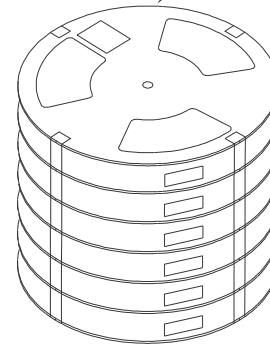
卷帶在運輸過程中不能散開

PEELING OFF SHOULD NOT BE ALLOWED DURING TRANSPORTATION



TAPE & REEL 10 PCS

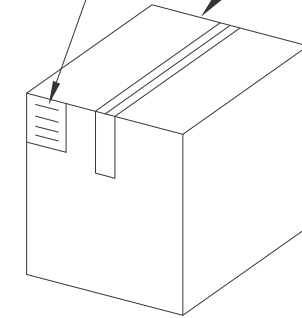
1 REEL  
= 500 PCS



BOX

DIMENSIONS:  
340X340X290

LABEL



1 CARTON  
= 10 REELS  
= 5000 PCS

5 > 0 > 4 0 ~ (The detail of the packing) Carton

x ñ É' (Product No.)	5 > 0 é Gÿ (Packing Capacity)			GÿGÿ Weight (Kg)		
	pcs/box	boxs/Carton	Pcs/Box	N.W./Pcs	N.W./Box	G.W./Box
	500	10	5000	----	----	----

THIS DOCUMENT IS THE  
SOLE PROPERTY OF  
BBJconn Technology Co.,Ltd.  
Corporation AND SHOULD  
NOT BE USED IN WHOLE  
OR IN PART WITHOUT  
PRIOR WRITTEN PERMISSION.  
PDWG.NO: 0100-2

		NAME: HDMI AD1 Ä, xù Í-¿Ç1/ÆÄø Æ½¿Ú 'ø1'µã L=11.60	
.X: ±0.38	X': ±3'	PJ. NO.: HD.01.51-21-1001	
.XX: ±0.25	.X': ±2'	SIZE: A4 DRW NO.:	
.XXX: ±0.13	.XX': ±1'	FINISH: SEE NOTES MAT'L.: SEE NOTES	
APPD. JM_Zheng	CHKD. LYX	DR. SGF	SCALE: N/A REV.: A0 UNIT: mm PAGE: 3/3