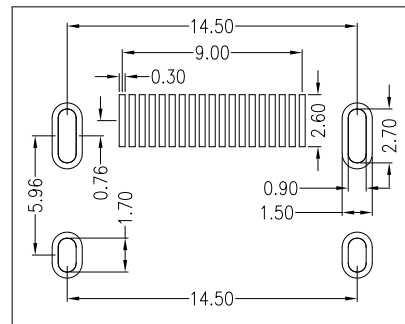
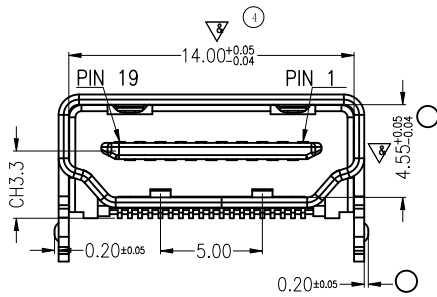
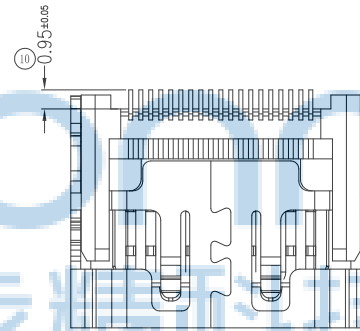
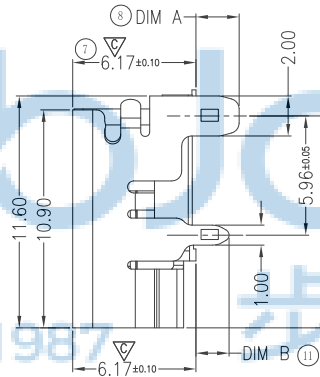
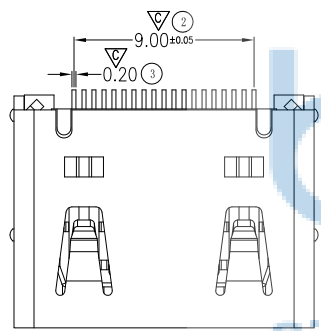
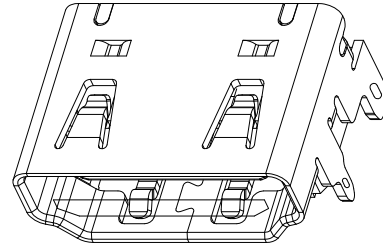
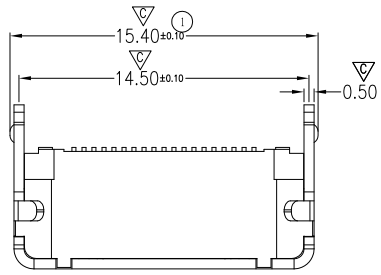


REV.	ECN NO	CONTENT	DATE	ENGINEER
A0				



RECOMMENDED P.C.B HOLE LAYOUT
COMPONENT SIDE VIEW(TOLERANCE: +/-0.05)

说明:

1. 材质:

胶芯:LCP,UL94V-0; COLOR; BLACK

端子: C2680

外壳: C2680/SPCC

2. 电镀说明:

端子: 接触区域镀金**3u**

焊锡区域镀雾锡100 u"Min

全部区域镍底50 u" Min

外壳: 表面镀镍100 u" Min

3. 电气性能:

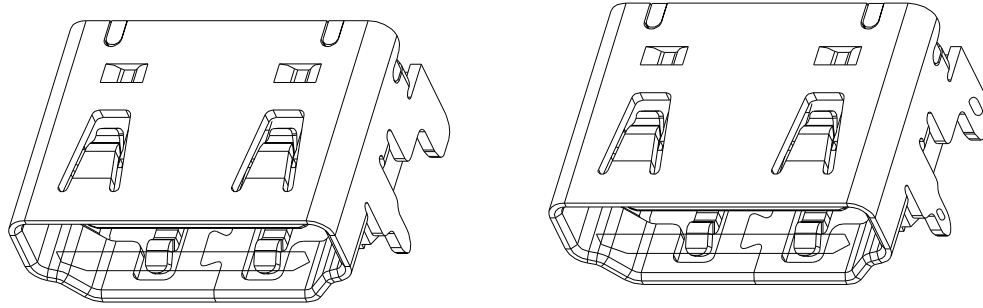
绝缘阻抗 (EIA-364-21) :100 MΩ MIN.
AT 500V/DC FOR 1 MINUTE.

接触阻抗 (EIA-364-06) 30 mΩ MAX.

耐电压 (EIA-364-20) NO DISCHARGE,
FLASHOVER OR BREAKDOWN
AT 500 V/AC 1MINUTE.



THIS DOCUMENT IS THE SOLE PROPERTY OF BBJconn Technology Co.,Ltd. Corporation AND SHOULD NOT BE USED IN WHOLE OR IN PART WITHOUT PRIOR WRITTEN PERMISSION.				NAME: HDMI A型 母座 铁壳镀镍 平口 带凸点 L=11.60 端子接触区域镀金3u(半金)	
PDWG.NO: 0100-2	DR. SGF	APPD. JM_Zheng	CHKD. LYX	PJ. NO.: HD.01.51-21-1003	
				SIZE: A4 DRW NO.:	
				FINISH: SEE NOTES MAT'L.: SEE NOTES	
				SCALE: N/A	REV.: A0
				UNIT: mm	PAGE: 1/3



\$ " #

! " #

4. P/N

%& ' ()

规格	DIM A	DIM B) # 2 - .
1	2.16	1.66	无凸点
2	2.16	1.66	带凸点
3	1.50	1.50	无凸点
4	2.20	2.20	无凸点
5	1.50	1.50	带凸点

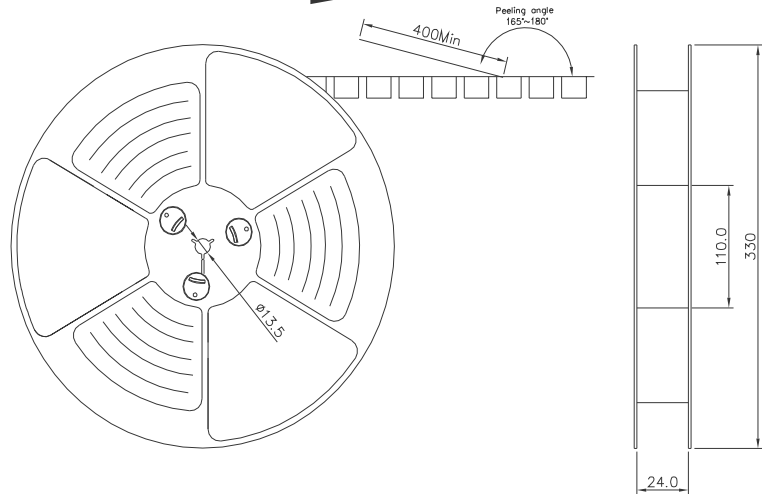
PIN	Signal Assignment
1	TMS Data2+
3	TMS Data2-
5	TMS Data1 Shield
7	TMS Data0+
9	TMS Data0-
11	TMS Clock Shield
13	CEC
15	SCL
17	DDC/CEC Ground
19	Hot Plug Detect

PIN	Signal Assignment
2	TMS Data2 Shield
4	TMS Data1+
6	TMS Data1-
8	TMS Data0 Shield
10	TMS Clock+
12	TMS Clock-
14	Utility
16	SDA
18	+5V Power

THIS DOCUMENT IS THE SOLE PROPERTY OF BBJconn Technology Co.,Ltd. Corporation AND SHOULD NOT BE USED IN WHOLE OR IN PART WITHOUT PRIOR WRITTEN PERMISSION. PDWG.NO: 0100-2	\$! c 2! •! •2! 0 ° 9L€ œ (
	.X: ±0.38 .XX: ±0.25 .XXX: ±0.13	X': ±3" .X': ±2" .XX': ±1"	NAME: HDMIADÍ Ā, xù ìú Ç¶ĒĀø ĄE½zÚ' oí'µā L=11.60 ¶Ēx0½Ó' ¶Çø0o¶ĒE½03UĒ"e½%
	APPD. JM_Zheng CHKD. LYX DR. SGF	PJ. NO.: HD.01.51-21-1003 SIZE: A4 DRW NO.: FINISH: SEE NOTES MAT'L.: SEE NOTES SCALE: N/A REV.: A0 UNIT: mm PAGE: 2/3	

出料方向

PULL OUT DIRECTEON



NOTES

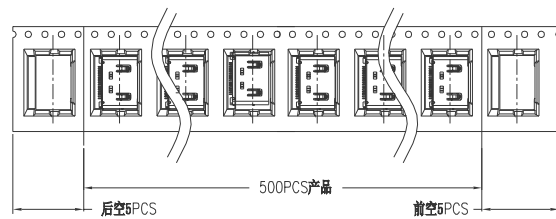
1. 帶子引導長度
LEAD TAPE LENGTH

出料方向

PULL OUT DIRECTEON

出料方向

PULL OUT DIRECTEON



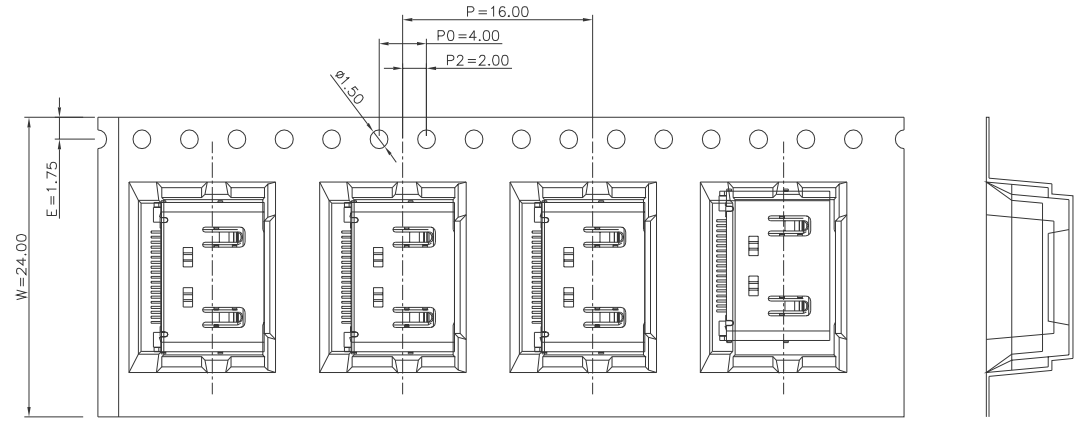
2. 出貨運輸過程中一定注意：

THIS REQUIREMENT SHOULD BE APPLIED AT SHIPMENT：

卷帶在運輸過程中不能散開

PEELING OFF SHOULD NOT BE ALLOWED DURING TRANSPORTATION

REV.	ECN NO	CONTENT	DATE	ENGINEER
A0				

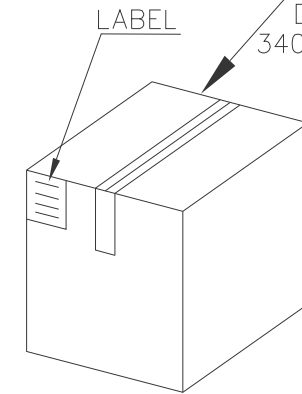
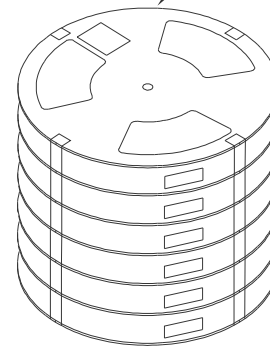


TAPE & REEL 10 PCS

1 REEL
= 500 PCS

BOX

DIMENSIONS:
340X340X290



1 CARTON
= 10 REELS
= 5000 PCS

包装明细表 (The detail of the packing) Carton

产品料号 (Product No.)	包装容量 (Packing Capacity)			重量 Weight (Kg)		
	pcs/box	boxs/Carton	Pcs/Box	N.W./Pcs	N.W./Box	G.W./Box
	500	10	5000	----	----	----

THIS DOCUMENT IS THE SOLE PROPERTY OF BBJconn Technology Co.,Ltd. Corporation AND SHOULD NOT BE USED IN WHOLE OR IN PART WITHOUT PRIOR WRITTEN PERMISSION.		\$! c 2! • 2! 0 ° 9L€ œ (
APPD.	JM_Zheng	NAME: HDMIAĐĀ_xù ìú_çĴĴĒÄø Æ½_ç Ū òáĴā L=11.60 ¶ĒxÓ½Ó¥ÇøÓđĴĒ½33ĒĒ*ē½δ	
CHKD.	LYX	PJ. NO.: HD.01.51-21-1003	
DR.	SGF	SIZE: A4 DRW NO.:	
PDWG.NO:	0100-2	FINISH: SEE NOTES MAT'L.: SEE NOTES	
		SCALE: N/A	REV.: A0 UNIT: mm PAGE: 3/3