

REV.	ECN NO.	CONTENT	DATE	ENGINEER
A0				

说明:

1. 材质:

胶芯:LCP,UL94V-0; COLOR; BLACK

端子: C2680

外壳: C2680

2. 电镀说明:

端子: 接触区域镀金

焊锡区域镀雾锡100 u"Min

全部区域镍底50 u" Min

外壳: 表面镀镍100 u" Min

3. 电气性能:

绝缘阻抗 (EIA-364-21) :100 MΩ MIN.

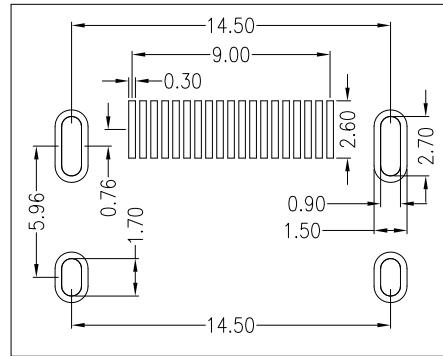
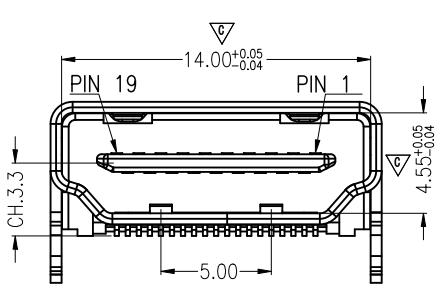
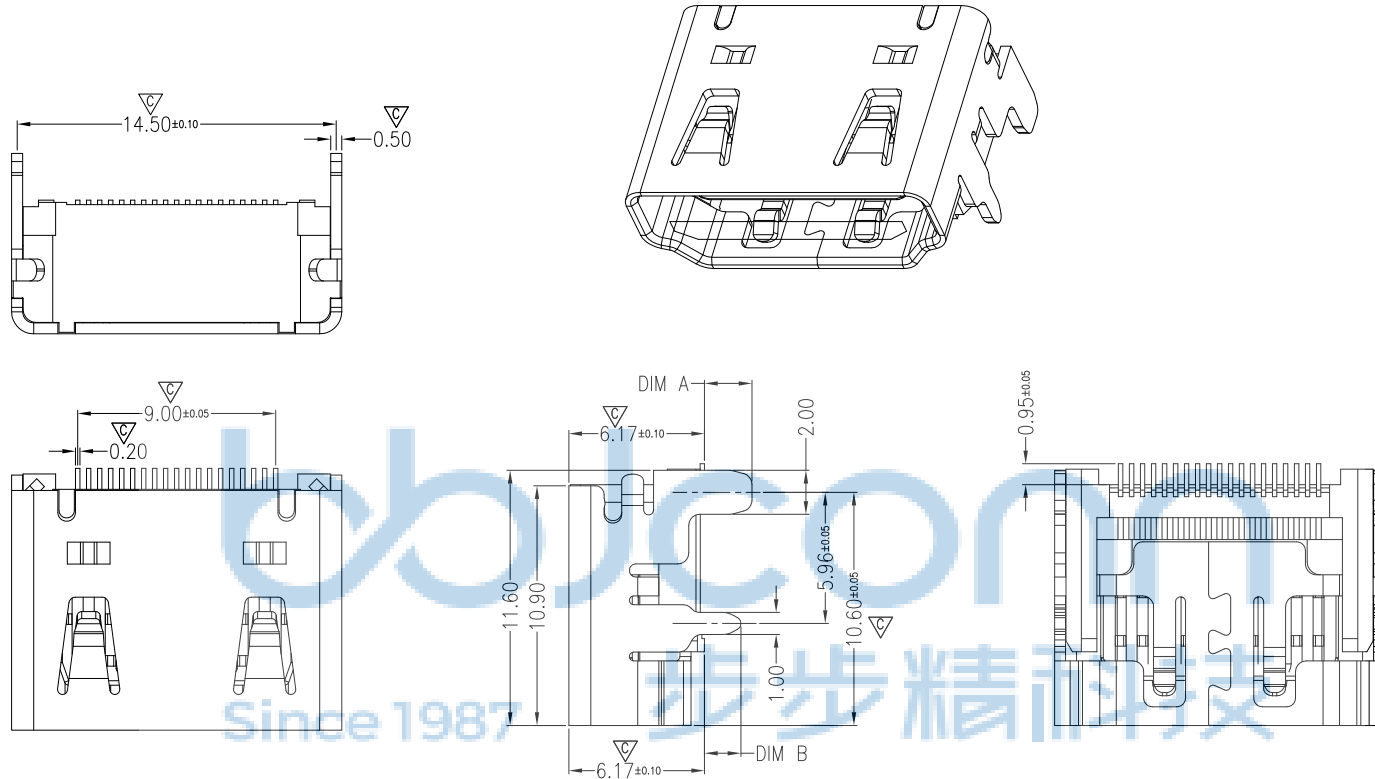
AT 500V/DC FOR 1 MINUTE.

接触阻抗 (EIA-364-06) 30 mΩ MAX.

耐电压 (EIA-364-20) NO DISCHARGE,

FLASHOVER OR BREAKDOWN

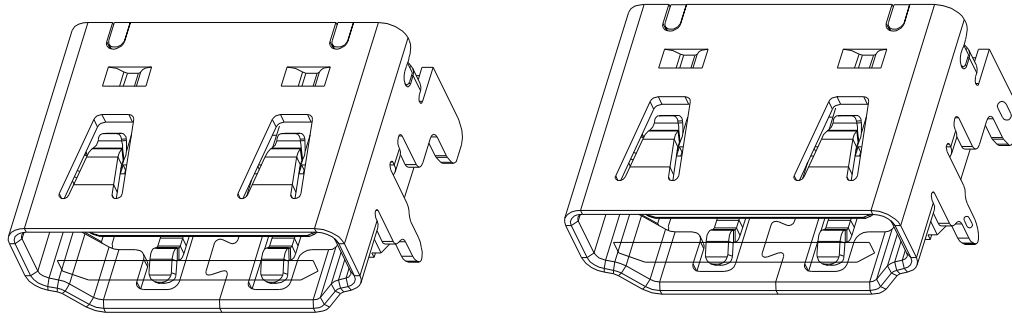
AT 500 V/AC 1MINUTE.



RECOMMENDED P.C.B HOLE LAYOUT  
COMPONENT SIDE VIEW(TOLERANCE: +/-0.05)



THIS DOCUMENT IS THE SOLE PROPERTY OF BBJconn Technology Co.,Ltd. Corporation AND SHOULD NOT BE USED IN WHOLE OR IN PART WITHOUT PRIOR WRITTEN PERMISSION. PDWG.NO: 0100-2	<b>深圳市步步精科技有限公司</b>		NAME: HDMI A型 母座 铜壳 平口 无凸点 L=11.60 镀金 热封	
	.X: ±0.38 .XX: ±0.25 .XXX: ±0.13	X': ±3" X": ±2" X': ±1"	APPD. JM_Zheng	PJ. NO.: HD.01.51-22-1001
	CHKD. LYX	DR. SGF	SIZE: A4	DRW NO.:
	FINISH: SEE NOTES		MAT'L.: SEE NOTES	
SCALE: N/A		REV.: A0	UNIT: mm	PAGE: 1/3



\$ " #

! " #

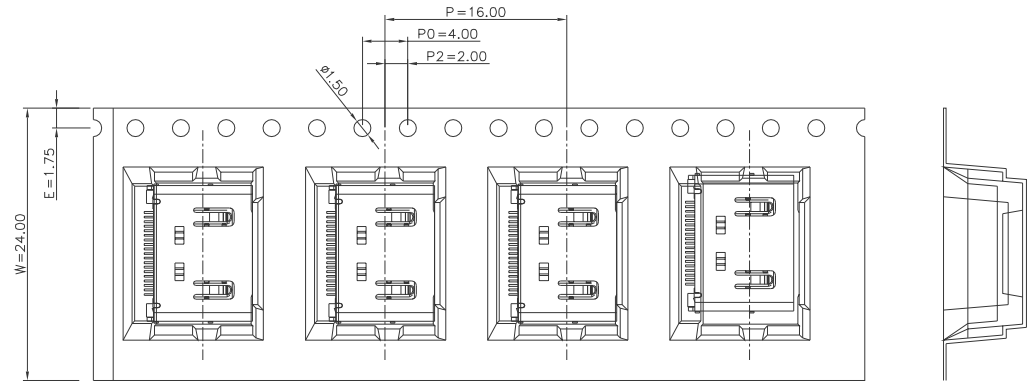
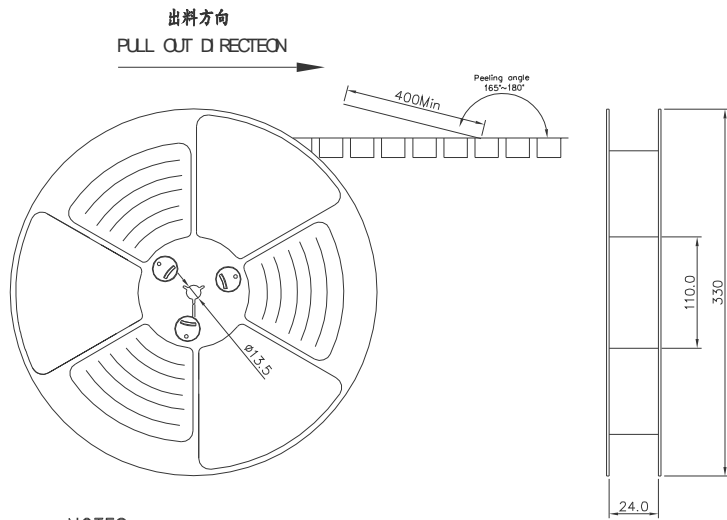
4. P/N

0 1	DIM A	DIM B	) # 2 - .
1	2.16	1.66	, - .
2	2.16	1.66	/ - .
3	1.50	1.50	, - .
4	2.20	2.20	, - .
5	1.50	1.50	/ - .

PIN	Signal Assignment
1	TMS Data2+
3	TMS Data2-
5	TMS Data1 Shield
7	TMS Data0+
9	TMS Data0-
11	TMS Clock Shield
13	CEC
15	SCL
17	DDC/CEC Ground
19	Hot Plug Detect

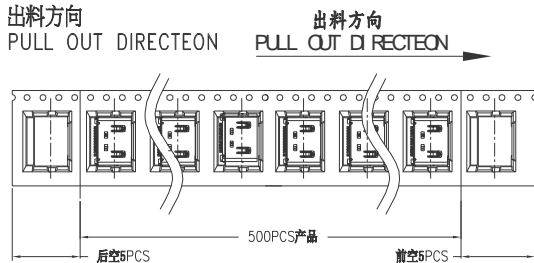
PIN	Signal Assignment
2	TMS Data2 Shield
4	TMS Data1+
6	TMS Data1-
8	TMS Data0 Shield
10	TMS Clock+
12	TMS Clock-
14	Utility
16	SDA
18	+5V Power

THIS DOCUMENT IS THE SOLE PROPERTY OF BBJconn Technology Co.,Ltd. Corporation AND SHOULD NOT BE USED IN WHOLE OR IN PART WITHOUT PRIOR WRITTEN PERMISSION. PDWG.NO: 0100-2		NAME: HDMI ADI Ä, xù í-zÇ Æ½zÜ Ìb!µã L=11.60 ¶/Æ½ð ÈÈ-ã	
	.X: ±0.38 X: ±3' .XX: ±0.25 .X: ±2' .XXX: ±0.13 .XX: ±1'	APPD. JM_Zheng CHKD. LYX	PJ. NO.: HD.01.51-22-1001 SIZE: A4 DRW NO.:
	FINISH: SEE NOTES SCALE: N/A	DR. SGF	MAT'L.: SEE NOTES REV.: A0 UNIT: mm PAGE: 2/3

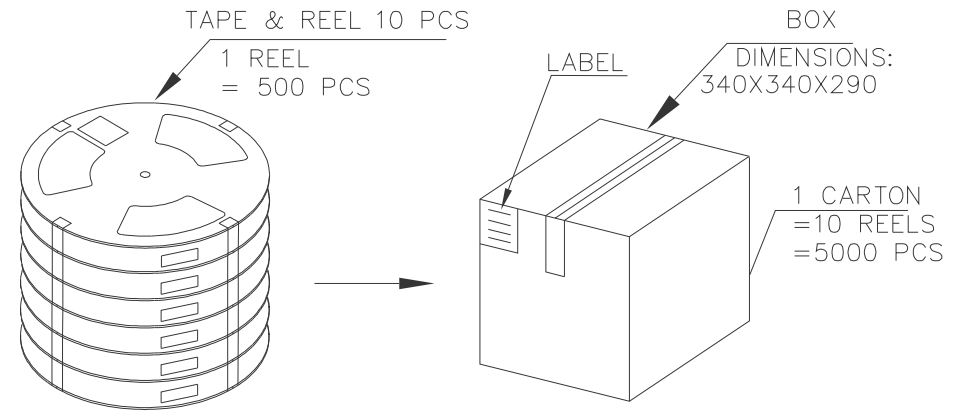


NOTES

1. 帶子引導長度  
LEAD TAPE LENGTH  
出料方向  
PULL OUT DIRECTEON



2. 出貨運輸過程中一定注意：  
THIS REQUIREMENT SHOULD BE APPLIED AT SHIPMENT：  
卷帶在運輸過程中不能散開  
PEELING OFF SHOULD NOT BE ALLOWED DURING TRANSPORTATION



5 > 0 > 4 0 ~ (The detail of the packing) Carton

产品料号 (Product No.)	包装容量 (Packing Capacity)			重量 Weight (Kg)		
	pcs/box	boxs/Carton	Pcs/Box	N.W./Pcs	N.W./Box	G.W./Box
	500	10	5000	----	----	----

THIS DOCUMENT IS THE SOLE PROPERTY OF BBJconn Technology Co.,Ltd. Corporation AND SHOULD NOT BE USED IN WHOLE OR IN PART WITHOUT PRIOR WRITTEN PERMISSION.				NAME: HDMI A型 母座 铜壳 平口 无凸点 L=11.60 镀金 热封	
APPD.	JM_Zheng	PJ. NO.: HD.01.51-22-1001		SIZE: A4 DRW NO.:	
CHKD.	LYX	FINISH: SEE NOTES		MAT'L.: SEE NOTES	
PDWG.NO:	0100-2	DR.	SGF	SCALE: N/A	REV.: A0 UNIT: mm PAGE: 3/3