

REV.	ECN NO.	CONTENT	DATE	ENGINEER
A0				

说明:

1. 材质:

胶芯:LCP,UL94V-0; COLOR; BLACK

端子: C2680

外壳: C2680

2. 电镀说明:

端子: 接触区域镀金

焊锡区域镀雾锡100 u"Min

全部区域镍底50 u" Min

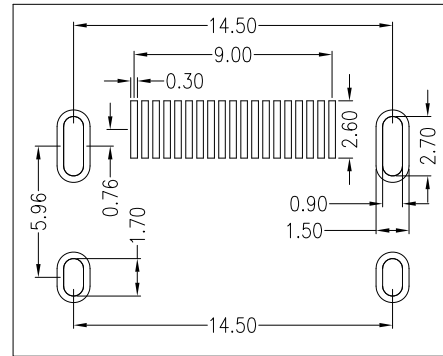
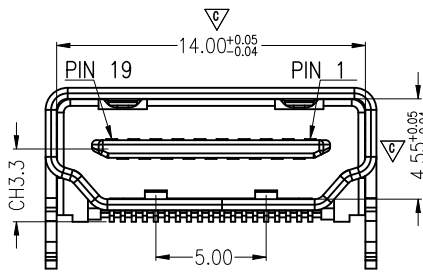
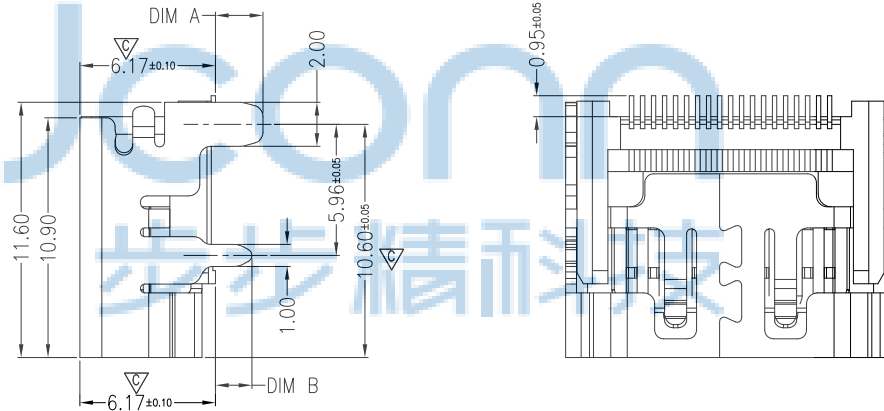
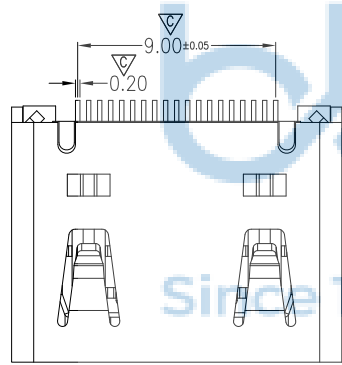
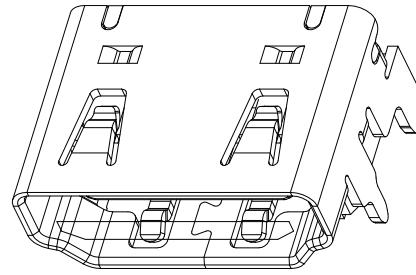
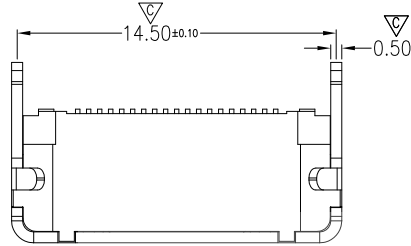
外壳: 表面镀镍100 u" Min

3. 电气性能:

绝缘阻抗 (EIA-364-21) :100 MΩ MIN
AT 500V/DC FOR 1 MINUTE.

接触阻抗 (EIA-364-06) 30 mΩ MAX.

耐电压 (EIA-364-20) NO DISCHARGE,
FLASHOVER OR BREAKDOWN
AT 500 V/AC 1MINUTE.



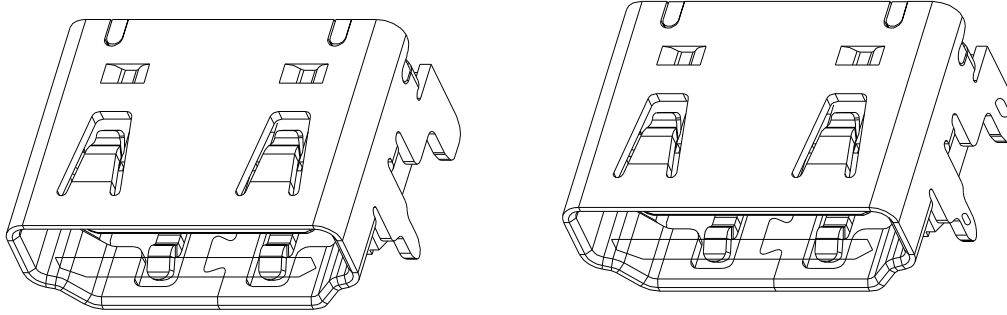
RECOMMENDED P.C.B HOLE LAYOUT
COMPONENT SIDE VIEW(TOLERANCE: +/-0.05)



THIS DOCUMENT IS THE SOLE PROPERTY OF BBJconn Technology Co.,Ltd. Corporation AND SHOULD NOT BE USED IN WHOLE OR IN PART WITHOUT PRIOR WRITTEN PERMISSION.	.X: ±0.38 X': ±3'		NAME:	
	.XX: ±0.25 .X': ±2'		HDMI A型 母座 铜壳 平口 无凸点 L=11.60	
.XXX: ±0.13 .XX': ±1'		APPD. JM_Zheng		PJ. NO.: HD.01.51-22-1002 SIZE: A4 DRW NO.:
PDWG.NO: 0100-2		CHKD. LYX	FINISH: SEE NOTES MAT'L.: SEE NOTES	
DR. SGF		SCALE: N/A REV.: A0		UNIT: mm PAGE: 1/3

深圳市步步精科技有限公司

REV.	ECN NO	CONTENT	DATE	ENGINEER
A0				



\$ " #

! " #

4. P/N

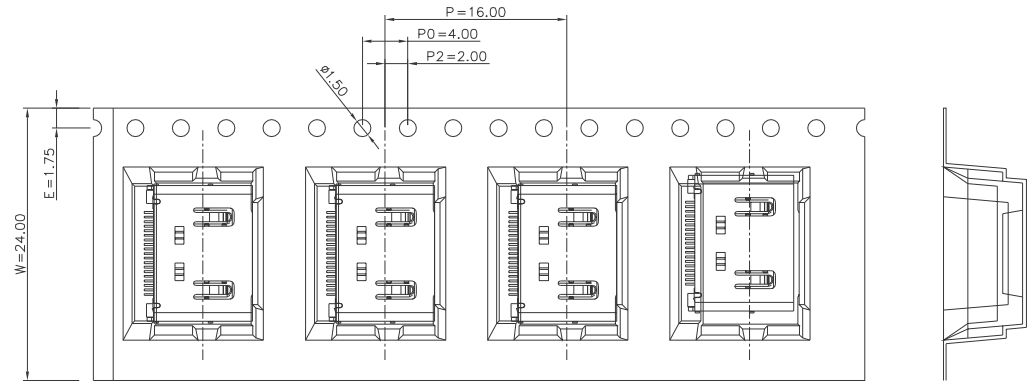
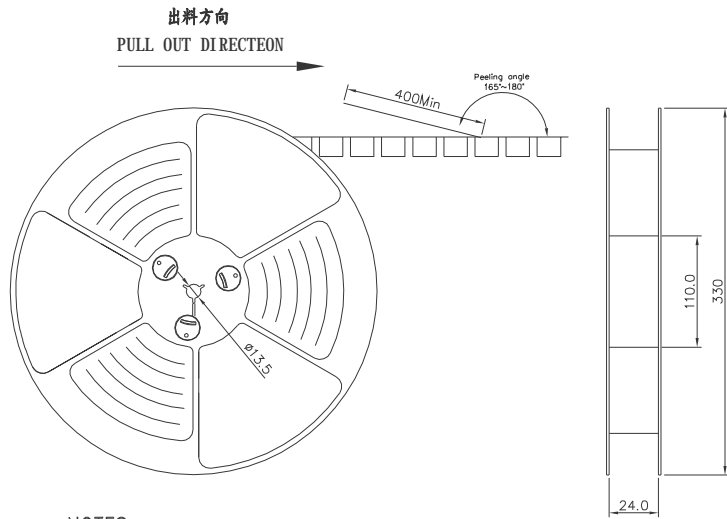
0 1	DMA	DMB) # 2 - .
1	2.16	1.66	, - .
2	2.16	1.66	/ - .
3	1.50	1.50	, - .
4	2.20	2.20	, - .
5	1.50	1.50	/ - .

PI N	Si gnal Assi gnment
1	TMDS Dat a2+
3	TMDS Dat a2-
5	TMDS Dat a1 Shi el d
7	TMDS Dat a0+
9	TMDS Dat a0-
11	TMDS Cl ock Shi el d
13	CEC
15	SQL
17	DDC/ CEC G round
19	Hbt Pl ug Det ect

PI N	Si gnal Assi gnment
2	TMDS Dat a2 Shi el d
4	TMDS Dat a1+
6	TMDS Dat a1-
8	TMDS Dat a0 Shi el d
10	TMDS Cl ock+
12	TMDS Cl ock-
14	Utility
16	SDA
18	+5V Power

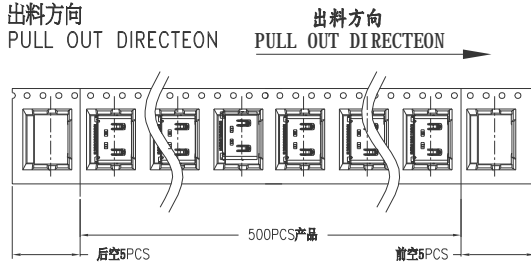


THIS DOCUMENT IS THE SOLE PROPERTY OF BBJconn Technology Co.,Ltd. Corporation AND SHOULD NOT BE USED IN WHOLE OR IN PART WITHOUT PRIOR WRITTEN PERMISSION. PDWG.NO: 0100-2	\$! c 2! • 2! 10 ° 9L€ œ (
	.X: ±0.38 .XX: ±0.25 .XXX: ±0.13	X': ±3" .X': ±2" .XX': ±1"	NAME: HDMI AĐÍ Ą, xù Í-ç Æ½ç Ú Ĩpí'µā L=11.60
	APPD. JM_Zheng CHKD. LYX DR. SGF	PJ. NO.: HD.01.51-22-1002 SIZE: A4 DRW NO.:	FINISH: SEE NOTES MAT'L.: SEE NOTES SCALE: N/A REV.: A0 UNIT: mm PAGE: 2/3



NOTES

1. 帶子引導長度
LEAD TAPE LENGTH
出料方向
PULL OUT DIRECTEON



2. 出貨運輸過程中一定注意：
THIS REQUIREMENT SHOULD BE APPLIED AT SHIPMENT：
卷帶在運輸過程中不能散開
PEELING OFF SHOULD NOT BE ALLOWED DURING TRANSPORTATION

TAPE & REEL 10 PCS

1 REEL
= 500 PCS

BOX

DIMENSIONS:
340X340X290

1 CARTON
= 10 REELS
= 5000 PCS

5 > 0 > 4 0 ~ (The detail of the packing) Carton						
x ñ É' (Product No.)	5 > 0 é Gy (Packing Capacity)			Gy Gy Weight (Kg)		
	pcs/box	boxs/Carton	Pcs/Box	N.W./Pcs	N.W./Box	G.W./Box
	500	10	5000	----	----	----

THIS DOCUMENT IS THE SOLE PROPERTY OF BBJconn Technology Co.,Ltd. Corporation AND SHOULD NOT BE USED IN WHOLE OR IN PART WITHOUT PRIOR WRITTEN PERMISSION.				NAME: HDMI ADÍ Ą, xù í-ç Æ½¿Ú ÌbÍ'mā L=11.60	
PDWG.NO: 0100-2		APPD. JM_Zheng CHKD. LYX DR. SGF		PJ. NO.: HD.01.51-22-1002 SIZE: A4 DRW NO.: FINISH: SEE NOTES MAT'L.: SEE NOTES SCALE: N/A REV.: A0 UNIT: mm PAGE: 3/3	
		.X: ±0.38 .XX: ±0.25 .XXX: ±0.13 X': ±3' .X': ±2' .XX': ±1'			