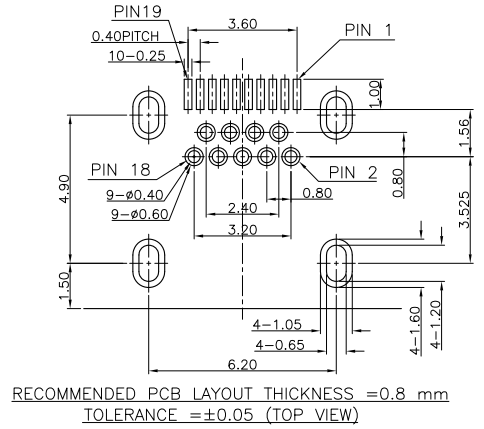
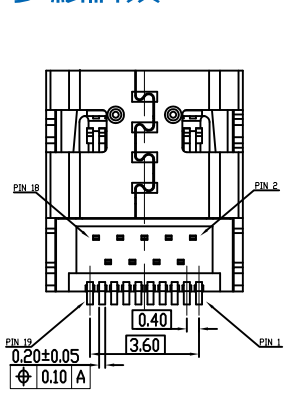
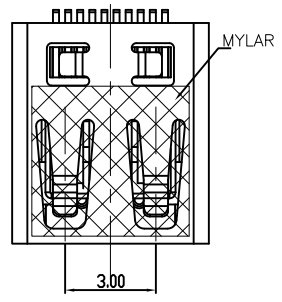
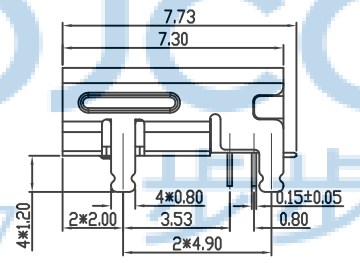
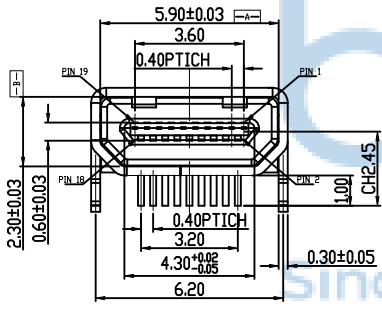


REV.	ECN NO	CONTENT	DATE	ENGINEER
A0				



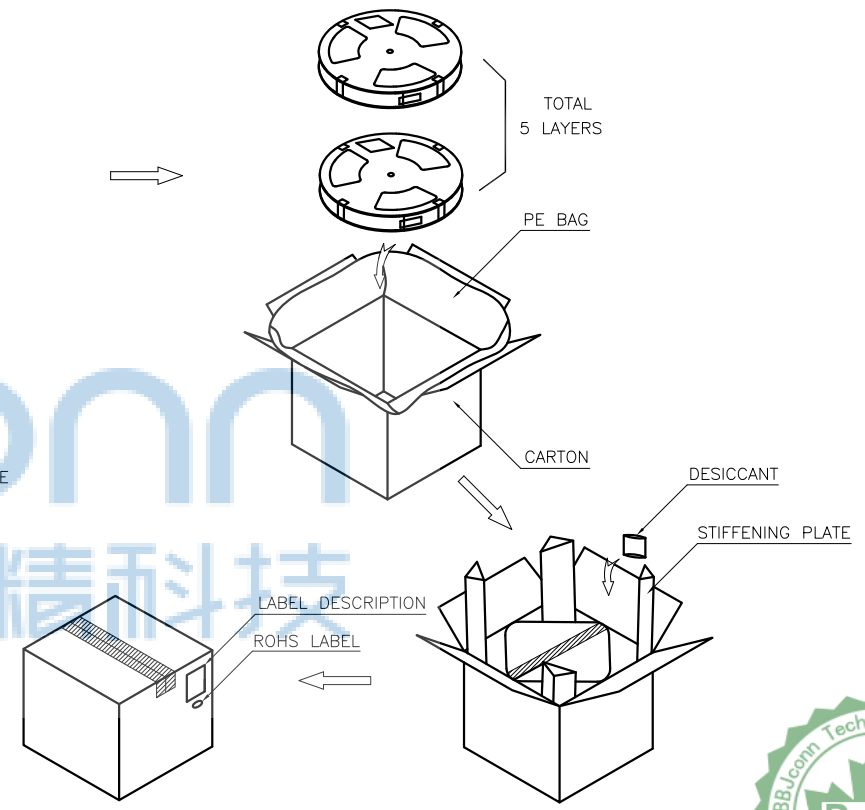
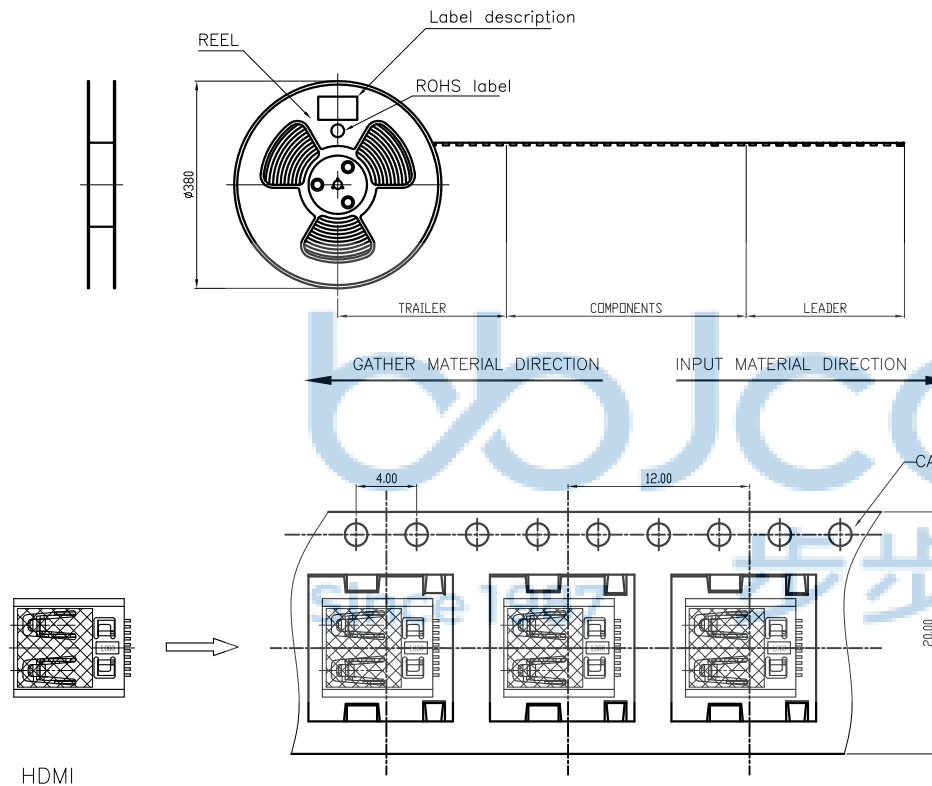
- NOTES:
- MATERIAL:
 - SHELL: SUS304-1/2H T=0.3mm
 - HOUSING: LCP E130i+30%GF WHITE/Black UL94V-0
 - COVER: LCP E130i+30%GF WHITE UL94V-0
 - TERMINAL: C5191R-H T=0.15mm
 - PLATING:
 - TERMINAL: GOLD PLATED OVER NICKEL ON CONTACT AREA AND SEE P/N TABLE ON SOLDER TAILS
 - SHELL: NICKEL PLATED



THIS DOCUMENT IS THE SOLE PROPERTY OF BBJconn Technology Co.,Ltd. Corporation AND SHOULD NOT BE USED IN WHOLE OR IN PART WITHOUT PRIOR WRITTEN PERMISSION.		.X: ±0.38 .XX: ±0.25 .XXX: ±0.13		X': ±3" X'': ±2" XX': ±1"		NAME: HDMI 母座 19P 板上四脚插 L=7.30 平口 LCP黑胶 不锈钢外壳 端子DIP+SMT (GDH-D06)	
APPD.	JM_Zheng	PJ. NO.: HD.01.51-34-B001		SIZE: A4 DRW NO.:			
CHKD.	LYX	FINISH: SEE NOTES		MAT'L.: SEE NOTES			
PDWG.NO:	0301-1	DR.	SGF	SCALE: N/A	REV.: A0	UNIT: mm	PAGE: 1/2

深圳市步步精科技有限公司

REV.	ECN NO	CONTENT	DATE	ENGINEER
A0				



- Notes:
- The start and end of each reel, based on the actual quantity, reserved 50pcs space;
 - Peel off force of top tape: 10g~130g, peel deg.:165°~175°; peel speed: 250~300mm/min;
 - Carton size: 340*340*200mm.ed
 - QTY: 1500pcs/reel, 10 reel/carton, total15000pcs/carton;

THIS DOCUMENT IS THE SOLE PROPERTY OF BBJconn Technology Co.,Ltd. Corporation AND SHOULD NOT BE USED IN WHOLE OR IN PART WITHOUT PRIOR WRITTEN PERMISSION.		深圳市步步精科技有限公司 工程 部	
PDWG.NO: 0301-1	DR. SGF	.X: ±0.38 .XX: ±0.25 .XXX: ±0.13 X': ±3' X'': ±2' XX': ±1'	NAME: HDMI 母座 19P 板上四脚插 L=7.30 平口 LCP黑胶 不锈钢外壳 端子DIP+SMT (GDH-D06) PJ. NO.: HD.01.51-34-B001 SIZE: A4 DRW NO.: FINISH: SEE NOTES MAT'L.: SEE NOTES SCALE: N/A REV.: A0 UNIT: mm PAGE: 2/2