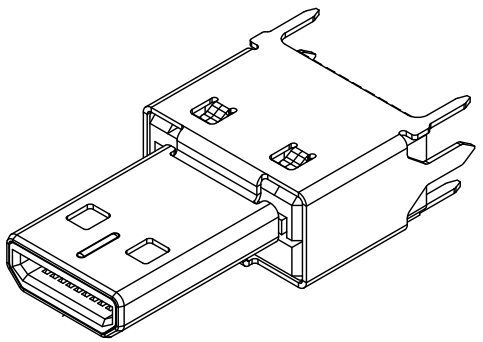
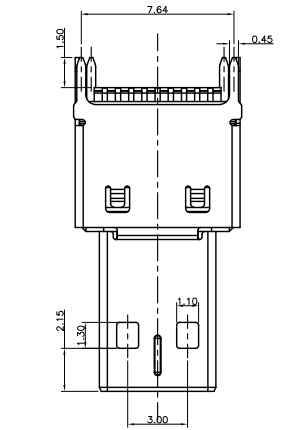
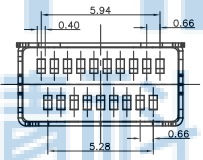
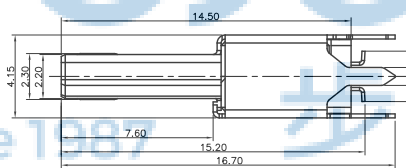
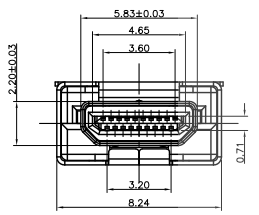
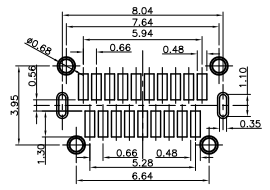
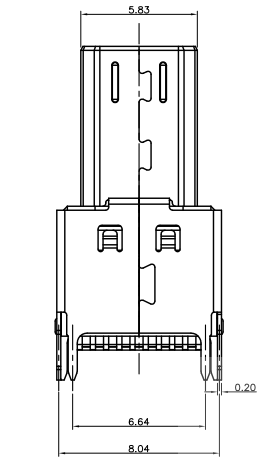
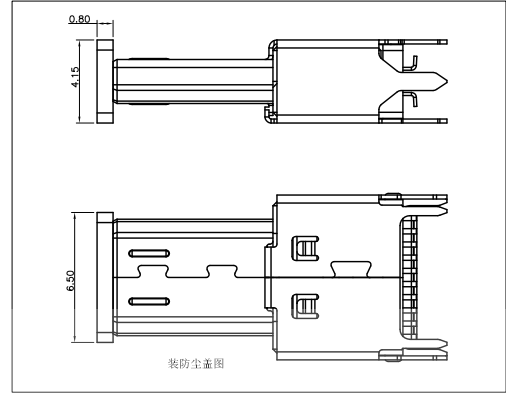


REV.	ECN NO	CONTENT	DATE	ENGINEER
A0				

NOTE:

1. Electrical
  - 1.1. Rated Voltage: 40V AC/DC maximum
  - 1.2. Rated Current: 0.3A max.
  - 1.3. Dielectric strength: 150V AC/1 minute
  - 1.4. Insulation Resistance: 150V DC 10MΩ min.
2. Mechanical
  - 2.1. Insertion Force Max: 4.5kgf max.
  - 2.2. Removal Force Min: 0.5kgf min. , 2.5kgf max.
  - 2.3. Durability: 5,000 cycles at 100+150 cycles per hour
3. Plating
  - 3.1. Terminal: Contact area: gold plated G/F  
Soldered area: 100u" mist TIN plated over 50u" NI min.
  - 3.2. Shell: G/F plated over 50u" NI min.
4. Ambient Temperature: -25. C To +85. C



LATCH	PBT	1	BLACK,UL 94V-0
SHELL	C2680	1	GOLD PLATED OVER G/F, PLATED OVER 50u" NI min.
9Pin CONTACT	C5191	9	CONTACT AREA: GOLD PLATED G/F SOLDED AREA: 100u" MIST TIN PLATED OVER 50u" NI min.
10Pin CONTACT (SHORT)	C5191	10	SOLDED AREA: 100u" MIST TIN PLATED OVER 50u" NI min.
BACK INSERT HOUSING	LCP	2	BLACK,UL 94V-0
HOUSING	LCP	1	BLACK,UL 94V-0
PART NAME	Mechanical	QTY	NOTF

THIS DOCUMENT IS THE SOLE PROPERTY OF BBJconn Technology Co., Ltd. CORPORATION AND SHOULD NOT BE USED IN WHOLE OR IN PART WITHOUT PRIOR WRITTEN PERMISSION.

PDWG.NO: 0301-1

APPD. JM\_Zheng  
CHKD. LYX  
DR. SGF

NAME: HDMI DM 公头 180度 H=14.50 外壳六脚插 端子SMT 带防尘盖 平口 铜壳

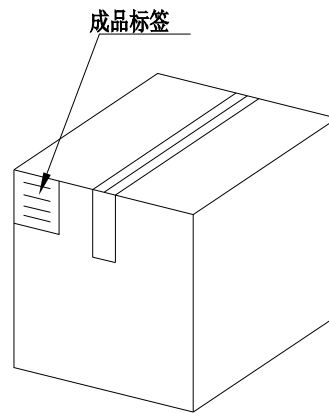
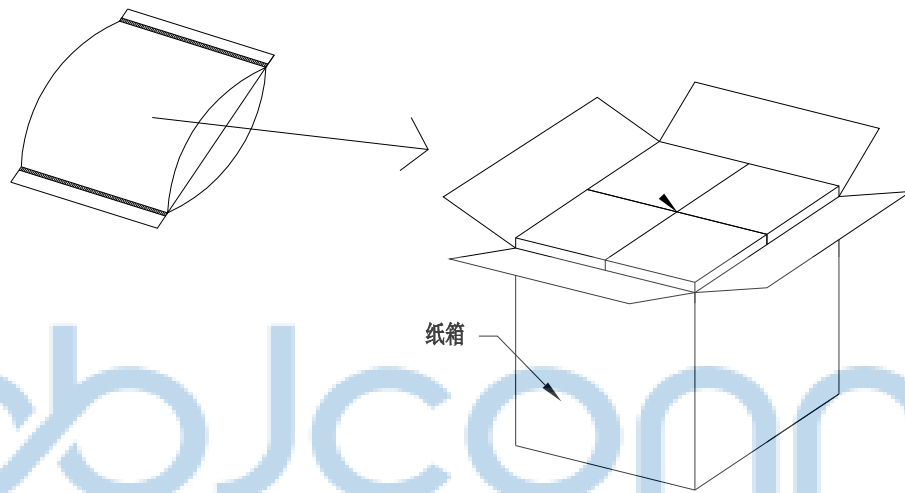
PJ. NO.: HD.04.51-24-B001  
SIZE: A4 | DRW NO.:

FINISH: SEE NOTES | MAT'L.: SEE NOTES  
SCALE: N/A | REV.: A0 | UNIT: mm | PAGE: 1/2

深圳市步步精科技有限公司

REV.	ECN NO	CONTENT	DATE	ENGINEER
A0				

PE袋规格:\*\*\*X\*\*\* (以实际出货为准)



1. 包装要求:

- 1.1 每PE袋包装 1000 pcs;
- 1.2 每1袋放一小纸盒;
- 1.3 每20个小纸盒放一个纸箱, 共计20000PCS
- 1.4 纸箱外贴上标签



THIS DOCUMENT IS THE SOLE PROPERTY OF BBJconn Technology Co., Ltd. Corporation AND SHOULD NOT BE USED IN WHOLE OR IN PART WITHOUT PRIOR WRITTEN PERMISSION.		深圳市步步精科技有限公司 .X: ±0.38    X': ±3" .XX: ±0.25    .X": ±2" .XXX: ±0.13    .XX": ±1"		NAME: HDMI DM 公头 180度 H=14.50 外壳六脚插 端子SMT 带防尘盖 平口 铜壳	
APPD.	JM_Zheng	PJ. NO.: HD.04.51-24-B001 SIZE: A4   DRW NO.:		FINISH: SEE NOTES    MAT'L.: SEE NOTES	
CHKD.	LYX	SCALE: N/A    REV.: A0    UNIT: mm    PAGE: 2/2			
PDWG.NO:	0301-1	DR.	SGF		