

REV.	ECN NO.	CONTENT	DATE	ENGINEER
AO				

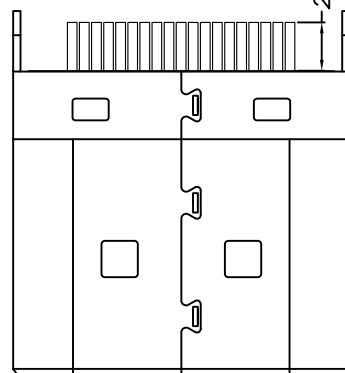
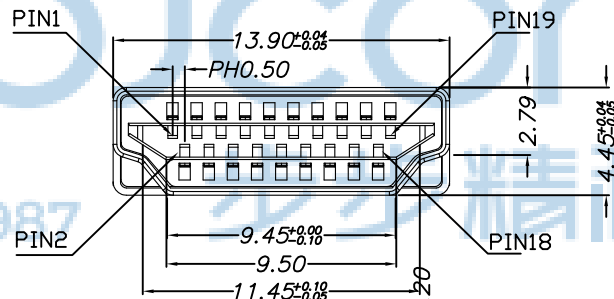
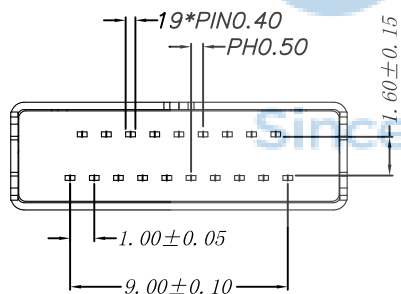
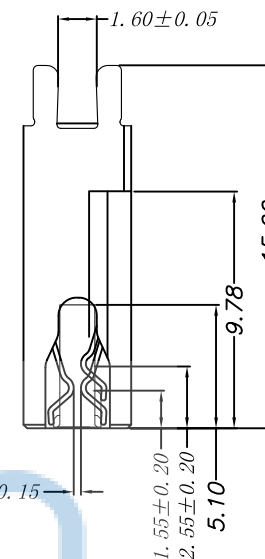
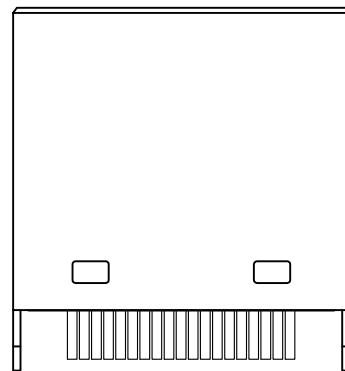
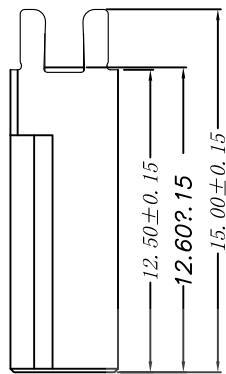
NOTE :

1. SPECIFICATION:

1. CURRENT RATING: 0.5 Amp Max.
2. VOLTAGE RATING: 40 V ac (r. m. s) Max.
3. CONTACT RESISTANCE: 10m ohms Max. mated
4. INSULATION RESISTANCE: 100m ohms Min.
5. DIELECTRIC WITHSTANDING VOLTAGE:  
AC 500V Min. (for 1 minute)
6. OPERATION TEMPERATURE RANGE: -25° C ~ 85° C

2. MECHANICAL

- 2.1 INSERTION FORCE: 4.5KGF MAXIMUM
- 2.1 WITHDRAWAL FORCE: 1.0KGF MINIMUM; 4.0KGF MAXIMUM



SHELL	H65-H SPCC	1	GOLD PLATED OVER G/F, PLATED OVER 50u" NI min.
9Pin CONTACT	C5191	9	CONTACT AREA: GOLD PLATED OVER 50u" NI min. SOLDED AREA: 100u" MIST TIN PLATED OVER 50u" NI min.
10Pin CONTACT	C5191	10	CONTACT AREA: GOLD PLATED OVER 50u" NI min. SOLDED AREA: 100u" MIST TIN PLATED OVER 50u" NI min.
BACK INSERT HOUSING	LCP	1	BLACK, UL 94V-0
HOUSING	LCP	1	BLACK, UL 94V-0
PART NAME	Mechanical	QT' Y	NOTE



THIS DOCUMENT IS THE SOLE PROPERTY OF BBJconn Technology Co., Ltd. Corporation AND SHOULD NOT BE USED IN WHOLE OR IN PART WITHOUT PRIOR WRITTEN PERMISSION.

PDWG.NO: 0301-1

APPD. JM\_Zheng

CHKD. LYX

DR. SGF

NAME: HDMI A TYPE 180度H=12.60公头夹板1.6 铁壳电镀 (HDM-1912101-1)

PJ. NO.: HD. 01. 61-11-B001

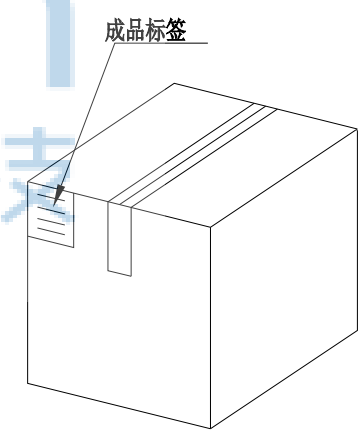
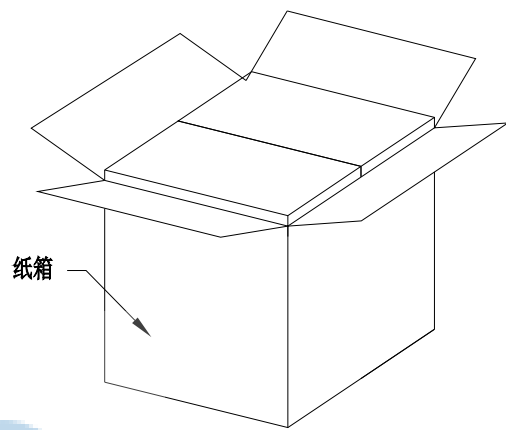
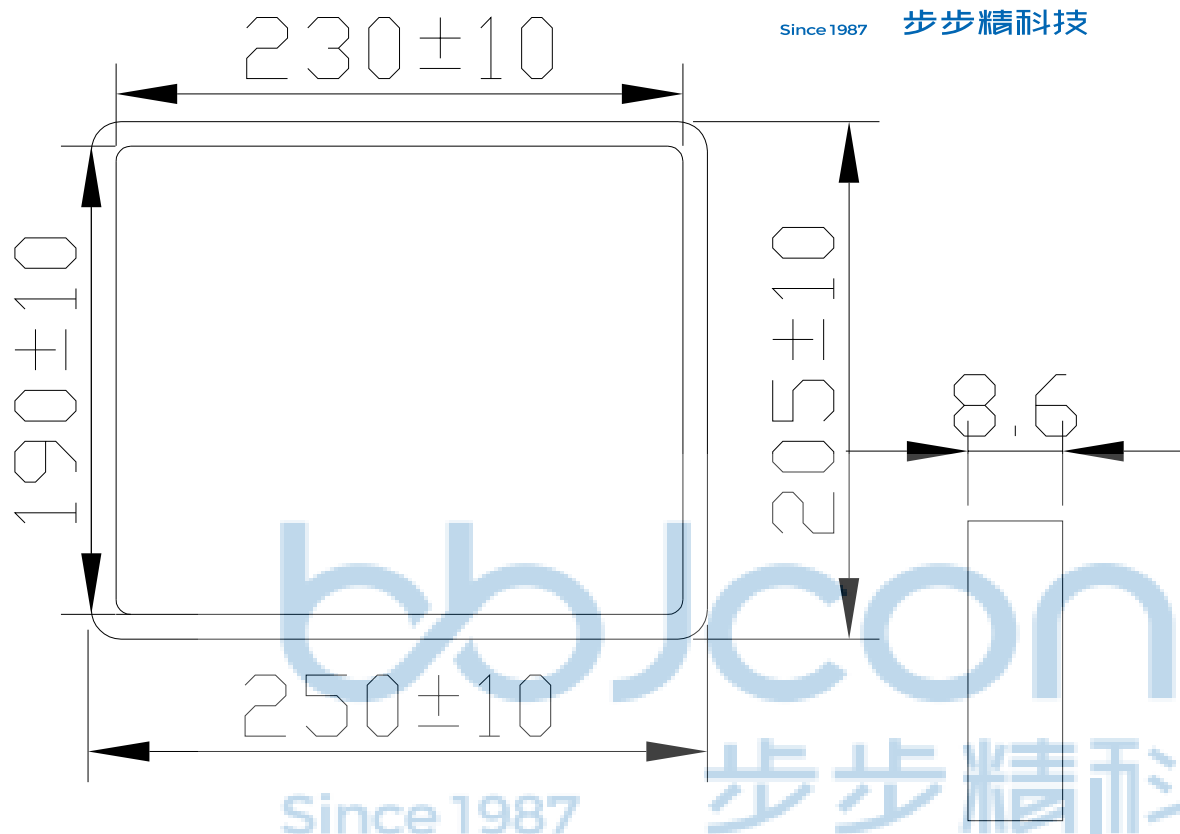
SIZE: A4 | DRW NO.:

FINISH: SEE NOTES | MAT'L.: SEE NOTES

SCALE: N/A | REV.: A0 | UNIT: mm | PAGE: 1/2

**深圳市步步精科技有限公司**

REV.	ECN NO	CONTENT	DATE	ENGINEER
A0				



纸箱规格: 350\*210\*290

1. 包装要求:
- 1.1 每盒吸塑盒包装100pcs;
  - 1.2 每20盘放一箱, 共计2000PCS;
  - 1.3 纸箱外贴上标签



THIS DOCUMENT IS THE SOLE PROPERTY OF BBJconn Technology Co.,Ltd. Corporation AND SHOULD NOT BE USED IN WHOLE OR IN PART WITHOUT PRIOR WRITTEN PERMISSION.		深圳市步步精科技有限公司 .X: ±0.38    .X': ±3" .XX: ±0.25    .X'': ±2" .XXX: ±0.13    .X''': ±1"		NAME: HDMI A TYPE 180度H=12.60公头夹板1.6 铁壳镀镍 (HDM-1912101-1)	
APPD.	JM_Zheng	PJ. NO.: HD.01.61-11-B001		SIZE: A4   DRW NO.:	
CHKD.	LYX	FINISH: SEE NOTES   MAT'L.: SEE NOTES		SCALE: N/A   REV.: A0   UNIT: mm   PAGE: 2/2	
PDWG.NO:	0301-1	DR.	SGF		